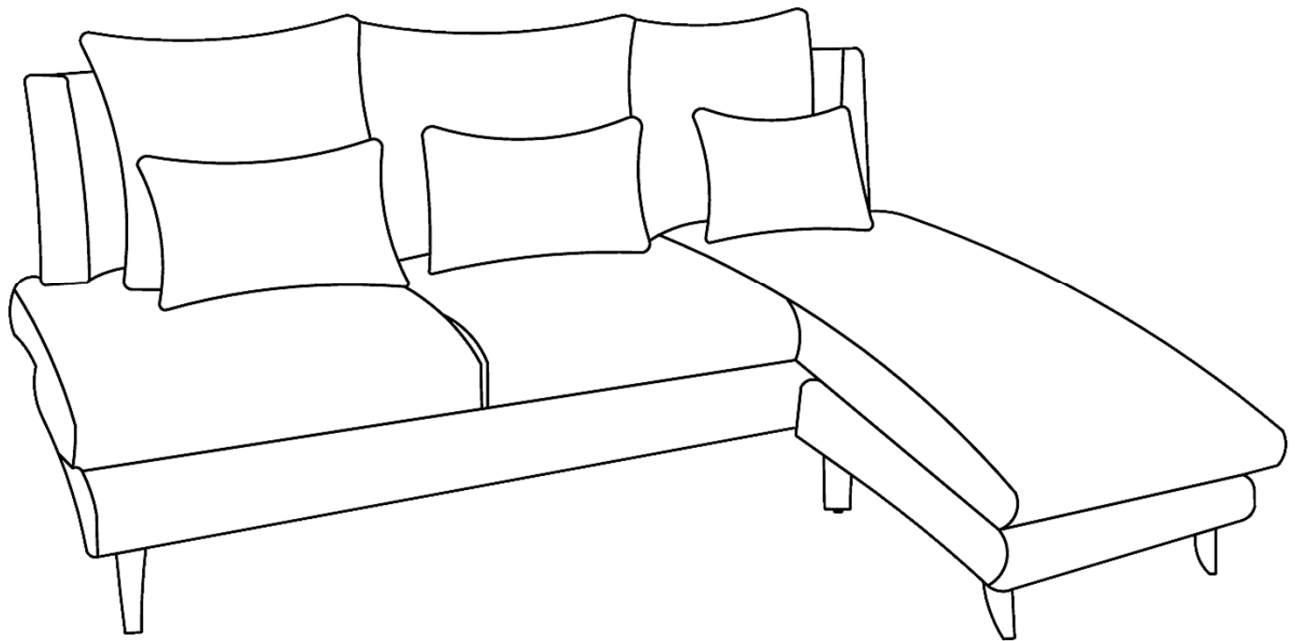


Assembly Instructions



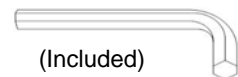
ASSEMBLY RATING

The Assembly Rating is a 5-point system that shows the degree of effort needed in assembling a specific product (with 1 being easy and 5 being difficult). For some products, two persons are recommended.

EASY  DIFFICULT

Tools Required for Assembly

Allen Wrench



(Included)

Phillips Screwdriver



(Not Included)

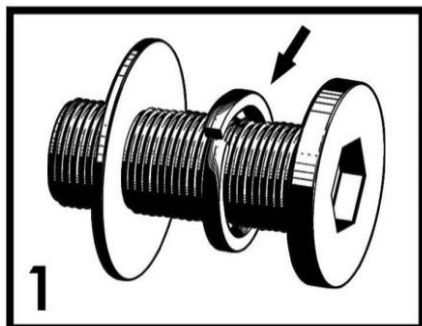


2 PERSONS RECOMMENDED

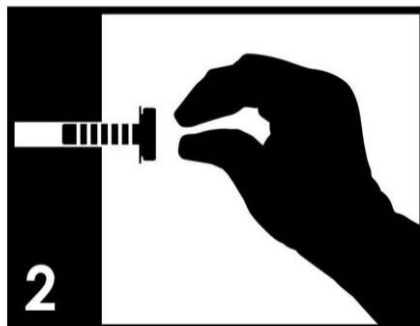
ASSEMBLY & CARE ADVICE

FOR YOUR FURNITURE TO LAST, CORRECT ASSEMBLY AND PROPER MAINTENANCE ARE NECESSARY. PLEASE FOLLOW THE INFORMATION PROVIDED BELOW TO FULLY ENJOY YOUR FURNITURE.

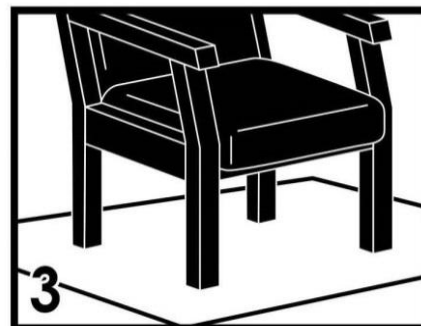
BASIC ASSEMBLY TECHNIQUES



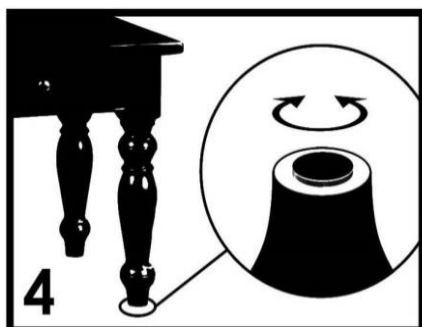
1 When lock or spring washer is used in an assembly, please make sure the lock or spring washer is placed between the larger flat washer and the head of the screw or bolt.



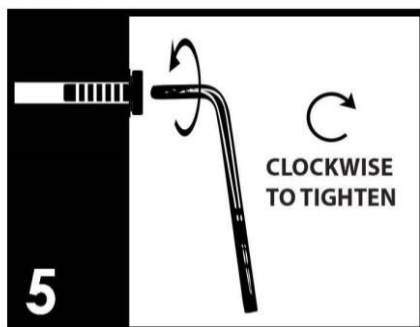
2 Position each part correctly and insert screws or bolts into their respective holes by hand tighten or using the proper hand tool. Only tighten when step is completed or when instructed to do so.



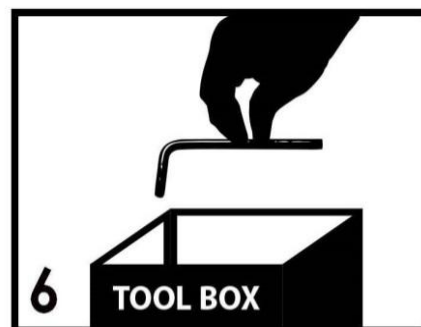
3 Use cardboard or carpet area when assembling furniture to prevent scratches. Make sure the furniture rests on a flat and level surface with each leg evenly touching the floor.



4 Some furniture comes with height adjustment knobs underneath each leg. To lower or to raise each leg, you need to turn clockwise or counterclockwise, respectively.



5 Make sure all parts are properly aligned, then use the appropriate hand tool to completely tighten the bolts or screws. Do not use power tools and do not overtighten.

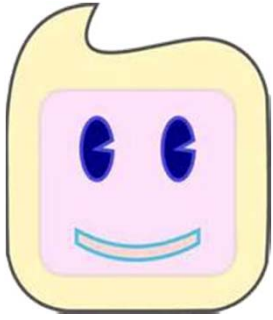


6 Save the instructions and store the Allen wrench or any supplied tool for later maintenance. After two weeks, check and tighten any loose hardware and repeat again every six months thereafter.

IT IS THE USER'S RESPONSIBILITY TO MAINTAIN THE FURNITURE. THE HARDWARE MAY LOOSEN OVER TIME AND MAY CAUSE THE FURNITURE TO BE WOBBLY AND UNABLE TO SUPPORT ITS INTENDED WEIGHT CAPACITY. THIS MAY LEAD TO COLLAPSE AND MAY CAUSE SERIOUS INJURY.



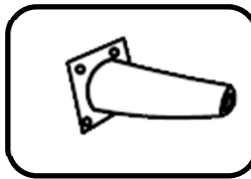
FAILURE TO FOLLOW THE GUIDELINES ABOVE MAY RESULT IN INJURY AND/OR PROPERTY DAMAGE.



Before you begin, please read Page 2 of "Assembly and Care Advice".

And remember, do not tighten until each step is completed or instructed.

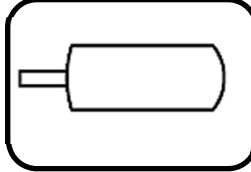
Parts List



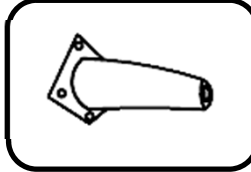
#1 x 2 pcs
Sofa Front Leg



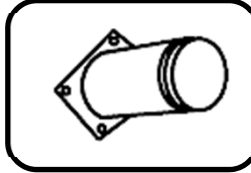
#2 x 2 pcs
Sofa Rear Leg



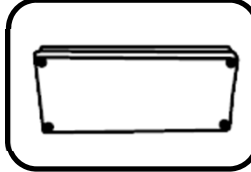
#3 x 1 pc
Sofa Center Leg



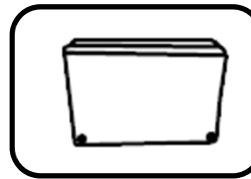
#4 x 2 pcs
Chaise Front Leg



#5 x 2 pcs
Chaise Rear Leg



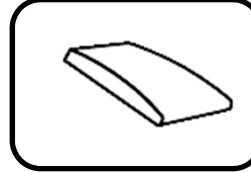
#6 x 1 pc
Sofa



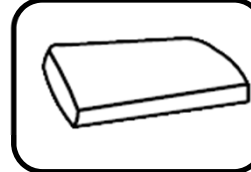
#7 x 1 pc
Chaise



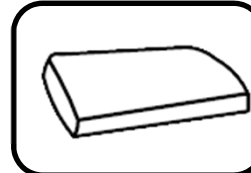
#8 x 3 sets
Pillow



#9 x 1 pc
Chaise Cushion

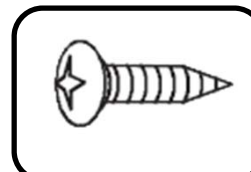


#10 x 1 pc
Sofa Outer Cushion

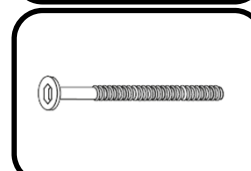


#11 x 1 pc
Sofa Inner Cushion

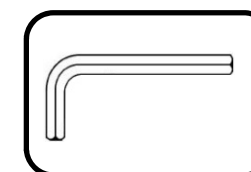
Hardware List



#A x 24 pcs
Screw



#B x 2 pcs
Bolt

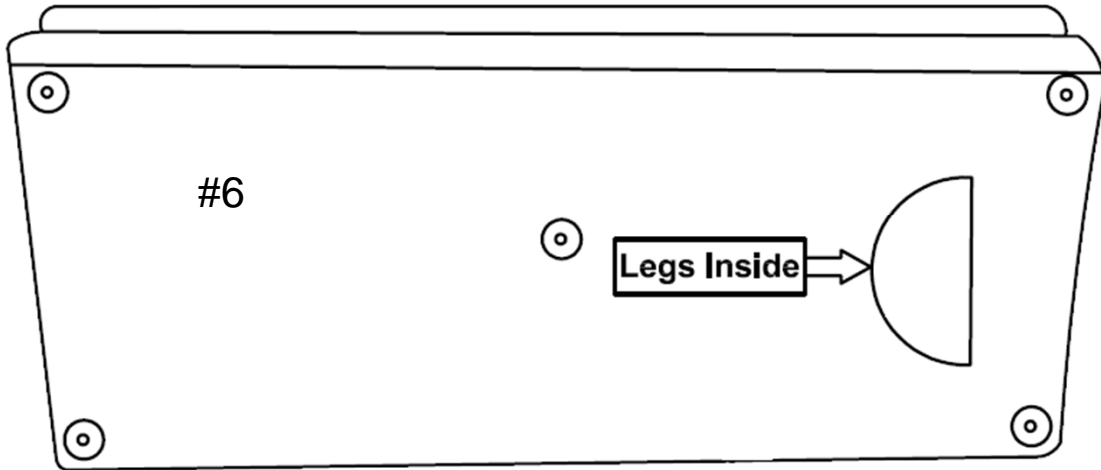


#C x 1 pc
Allen Wrench

Step 1

Due to the size and weight of this product, it is highly recommended that the assembly should be done near the area of its intended location. Make sure you have enough space to move around during the assembly. ALWAYS have at least two people to help with transporting and assembling the product and to avoid any potential injury and/or damage.

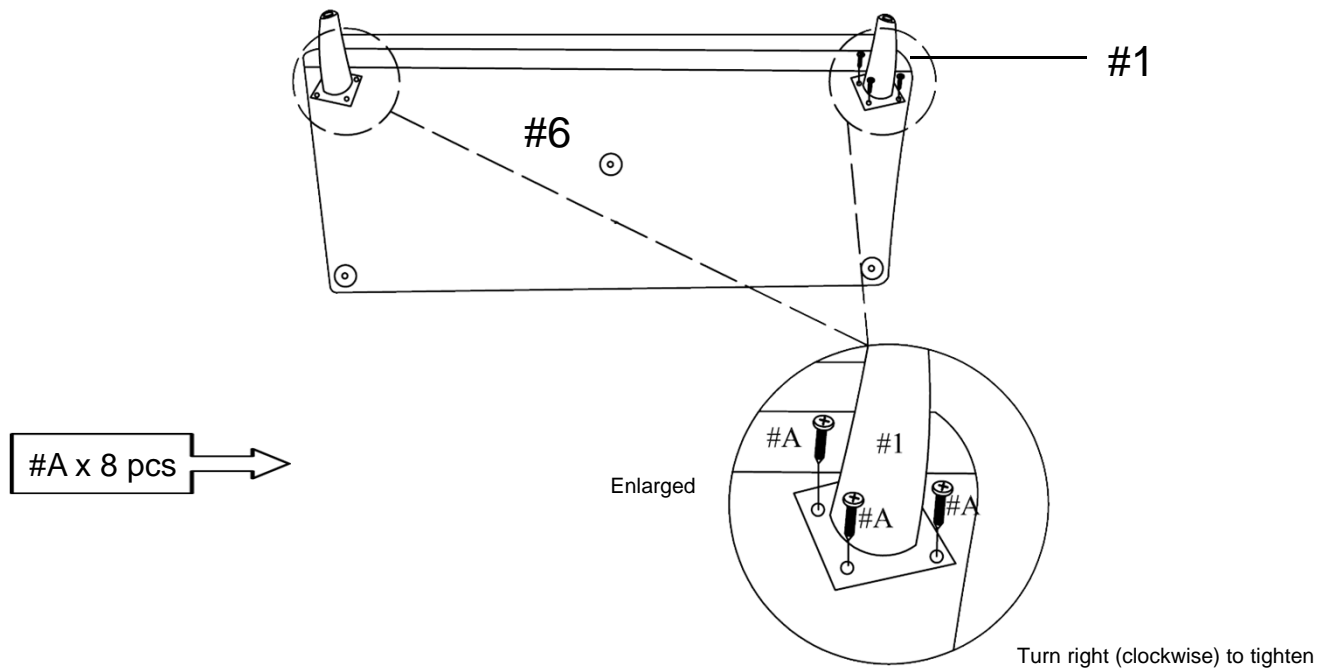
Note: The legs are stored underneath the sofa.



Remove the legs from underneath the sofa.

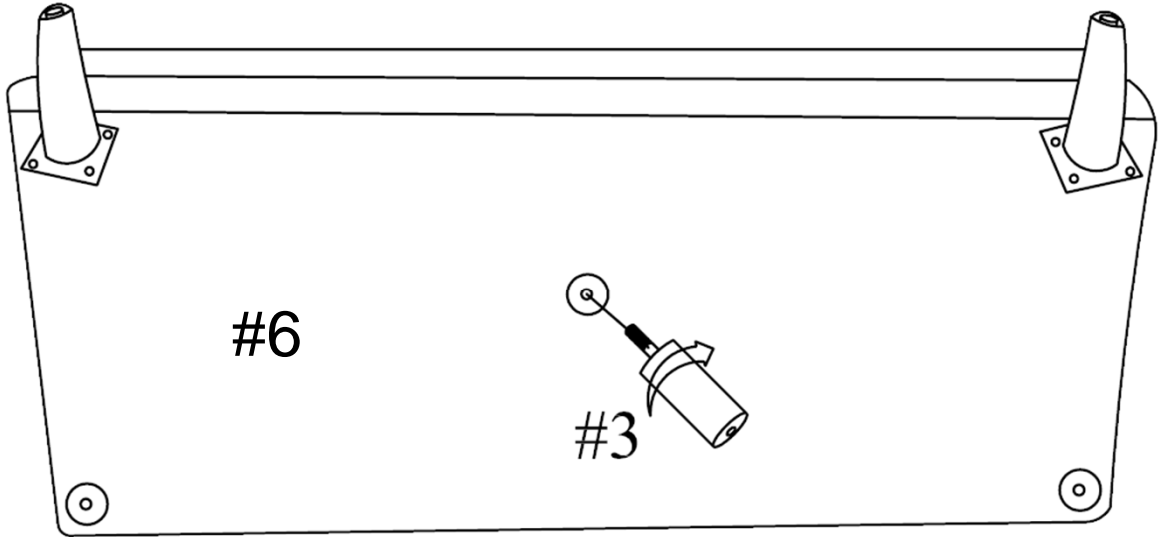
Step 2

Align the sofa front leg (#1) onto the 4 pre-drilled holes on the bottom corner of the sofa (#6) and secure it with 4 screws (#A) using a Phillip screwdriver. Repeat the process for the other sofa front leg (#1).



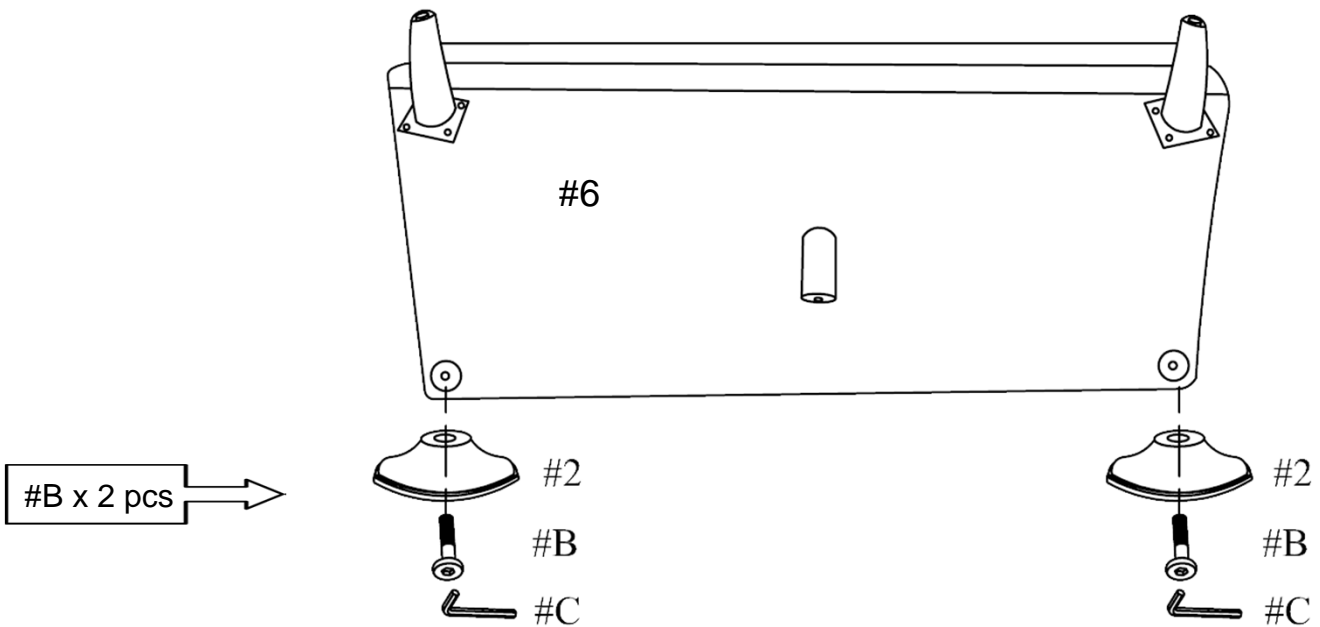
Step 3

Align the threaded end of the sofa center leg (#3) with the pre-drilled hole of the bottom center of the sofa (#6) and tighten by hands until secured.



Step 4

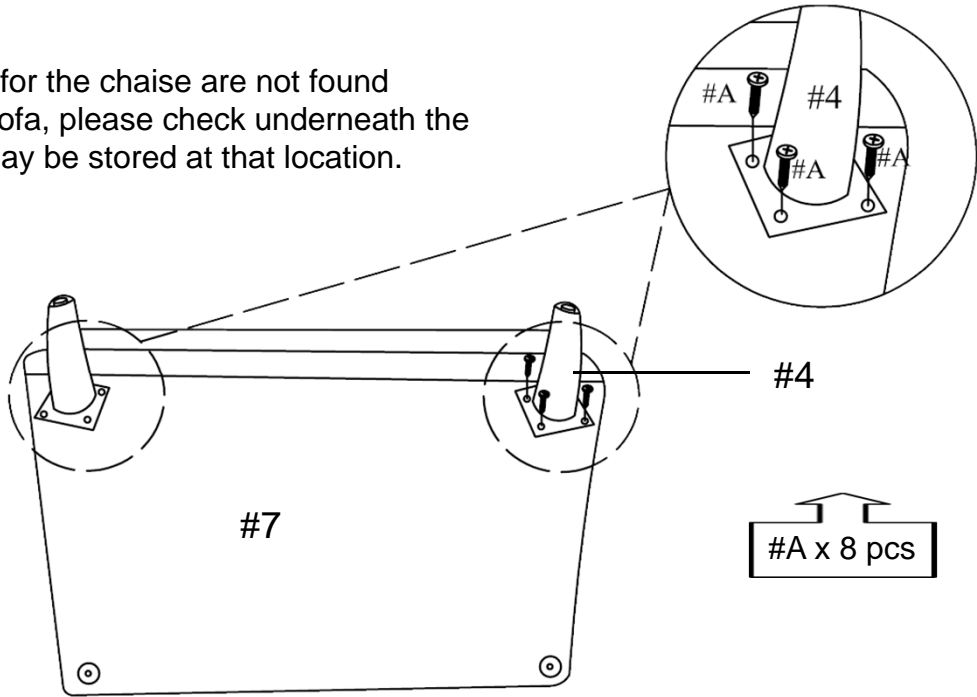
Align the sofa rear leg (#2) onto the pre-drilled hole on the bottom corner of the sofa (#6) and secure it with a bolt (#B) using an Allen wrench (#C). Repeat the process for the other sofa rear leg (#2).



Step 5

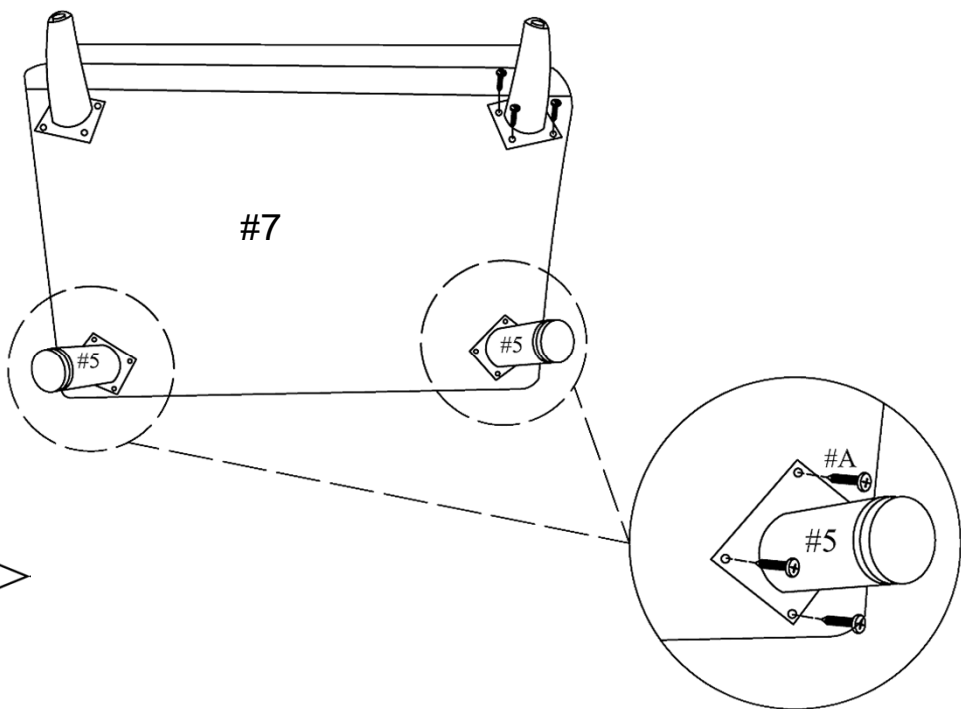
Align the chaise front leg (#4) onto the 4 pre-drilled holes on the bottom corner of the chaise (#7) and secure it with 4 screws (#A) using a Phillip screwdriver . Repeat the process for the other chaise front leg (#4).

Note: If the legs for the chaise are not found underneath the sofa, please check underneath the chaise for they may be stored at that location.



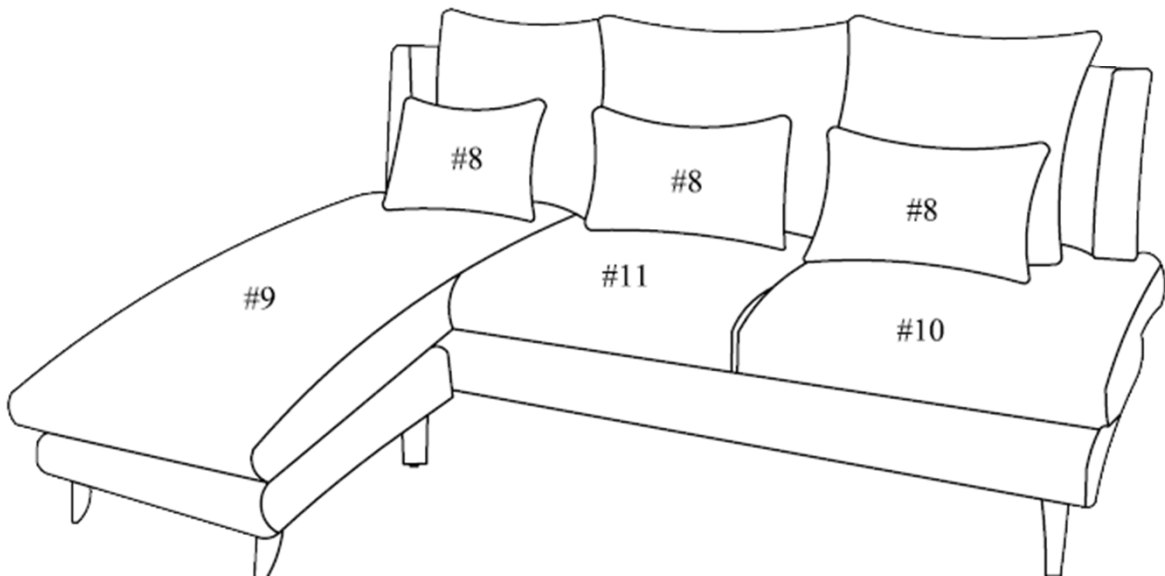
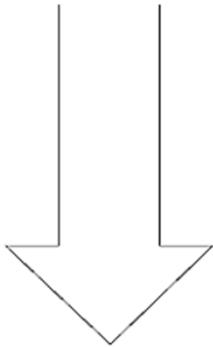
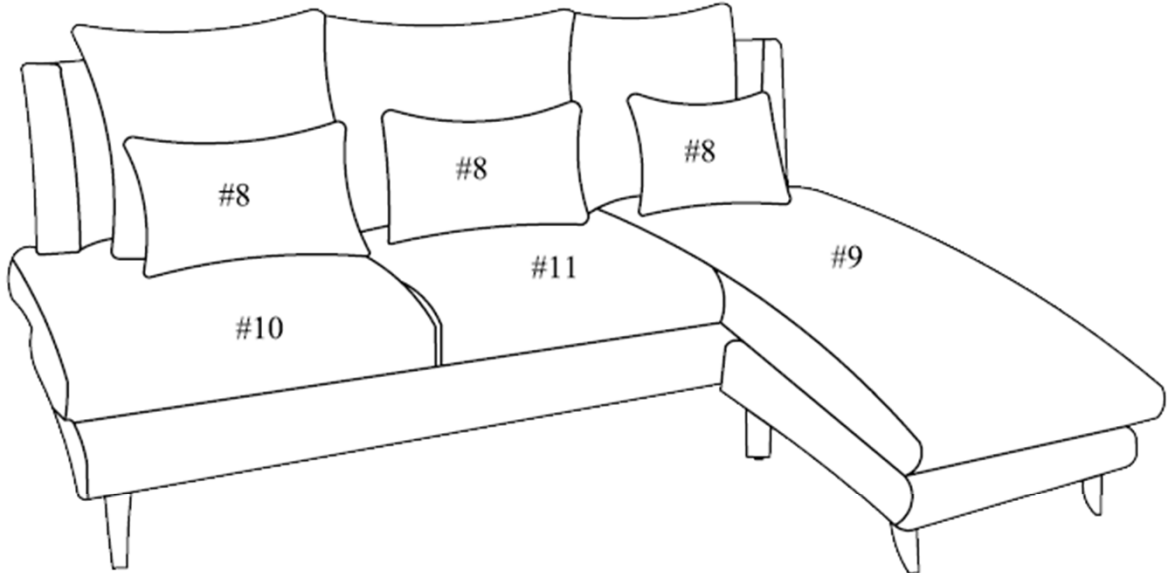
Step 6

Align the chaise rear leg (#5) onto the 4 pre-drilled holes on the bottom corner of the chaise (#7) and secure it with 4 screws (#A) using a Phillip screwdriver . Repeat the process for the other chaise rear leg (#5).



Step 7

Place the cushions (#9, #10, #11) and pillows (#8) onto the sofa and the chaise. The chaise can be placed on either side of the sofa.



ASSEMBLY IS COMPLETED