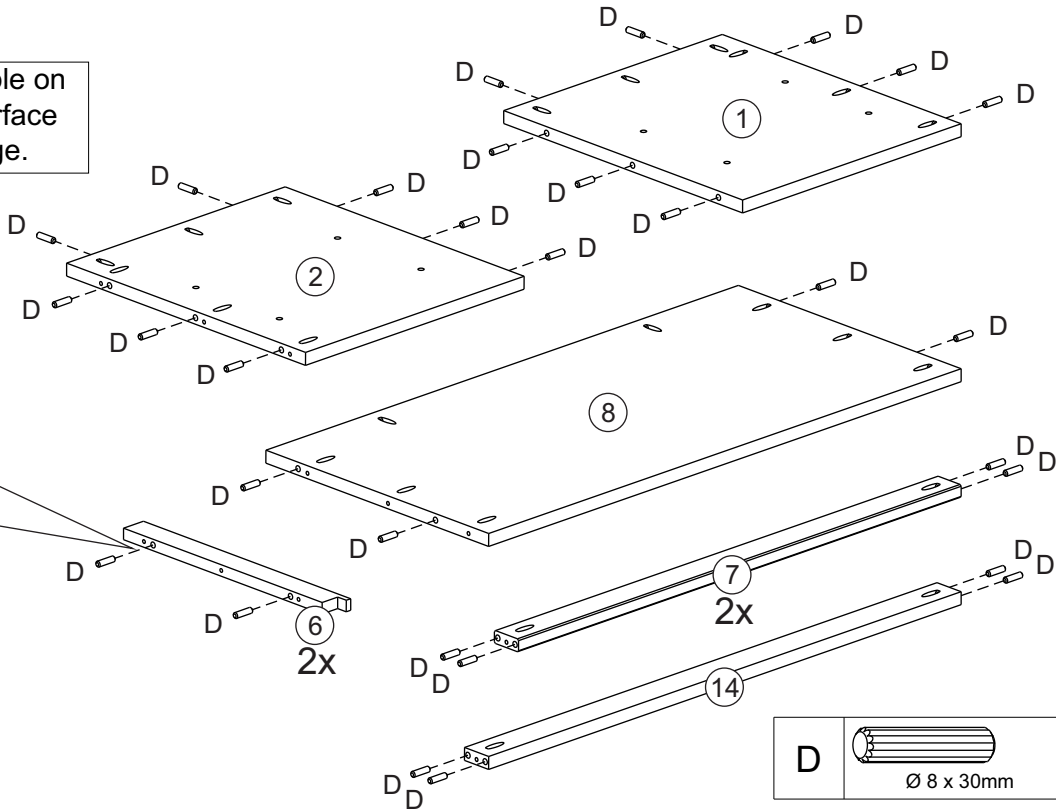



01



Please assemble on a clean soft surface to avoid damage.

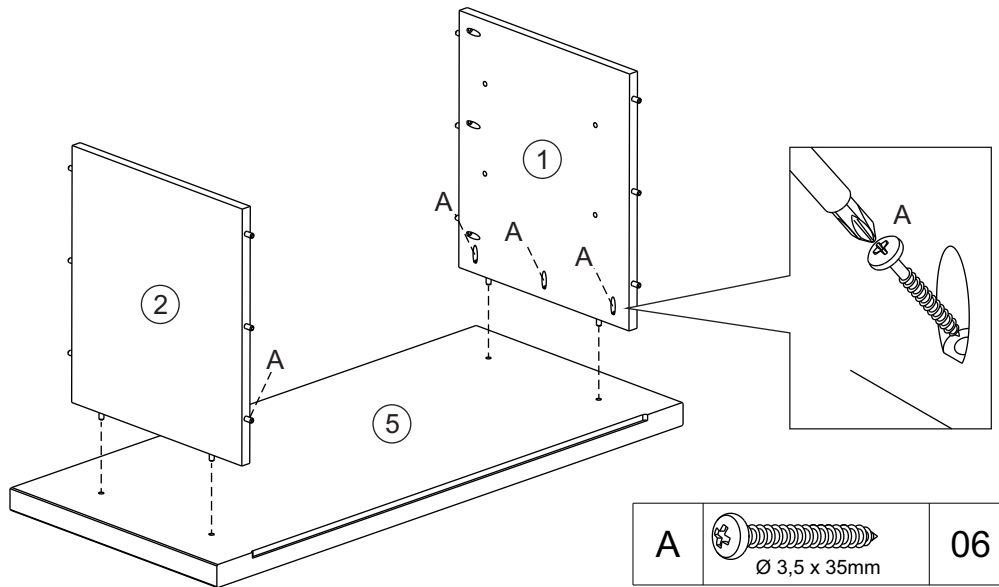


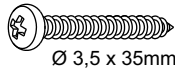
D		36
---	---	----

02



Please assemble on a clean soft surface to avoid damage.

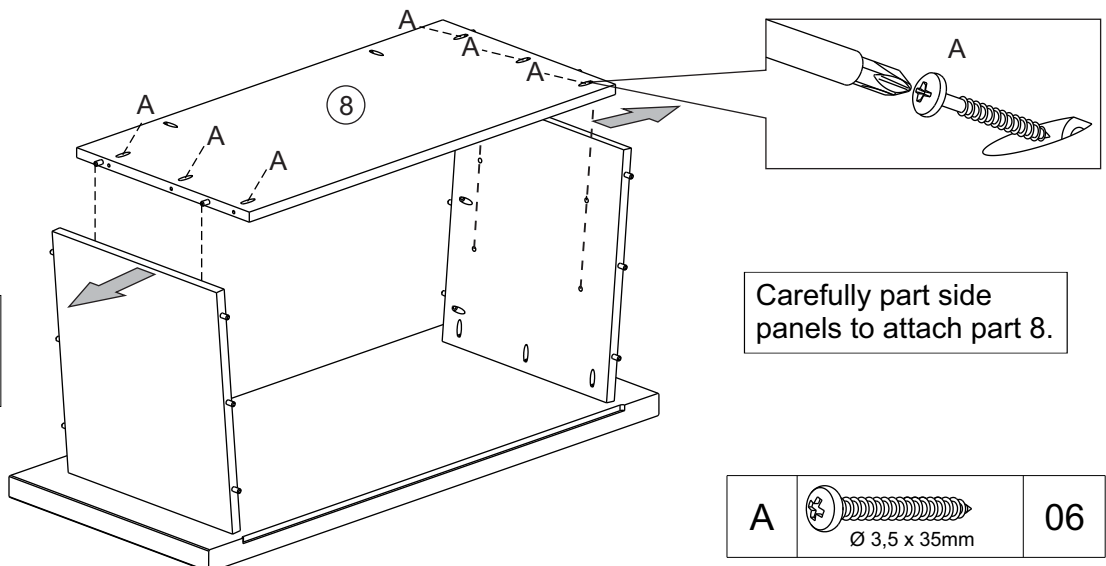


A		06
---	---	----

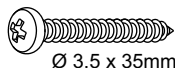
03



Please assemble on a clean soft surface to avoid damage.



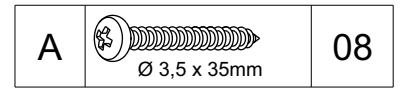
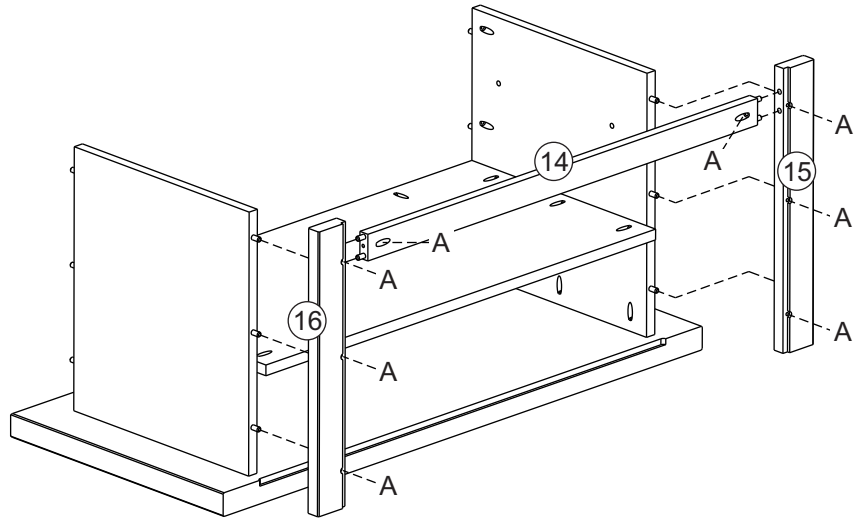
Carefully part side panels to attach part 8.

A		06
---	---	----

04



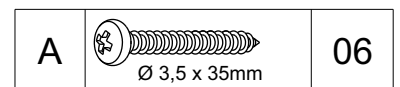
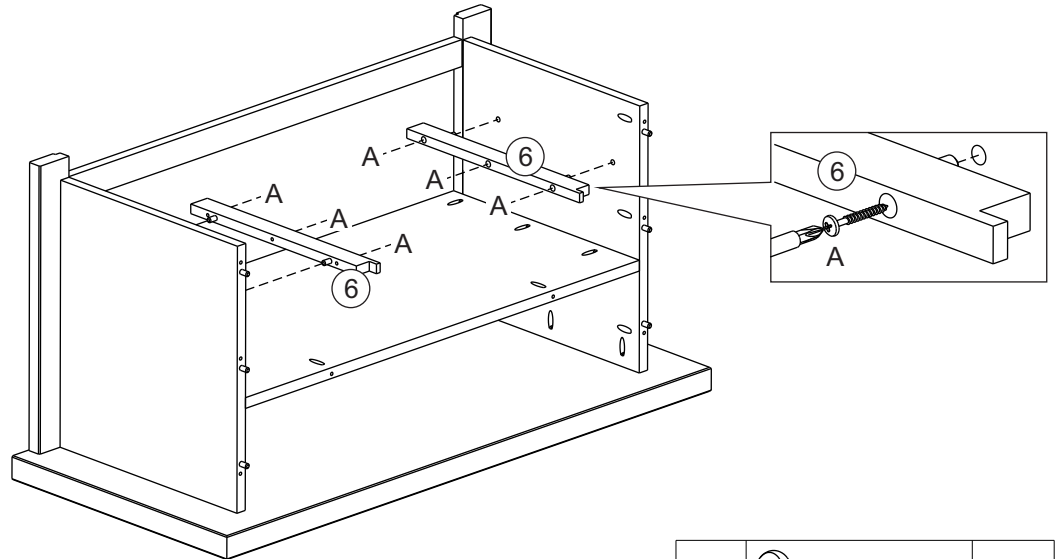
Please assemble on a clean soft surface to avoid damage.



05



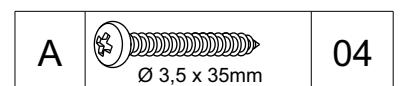
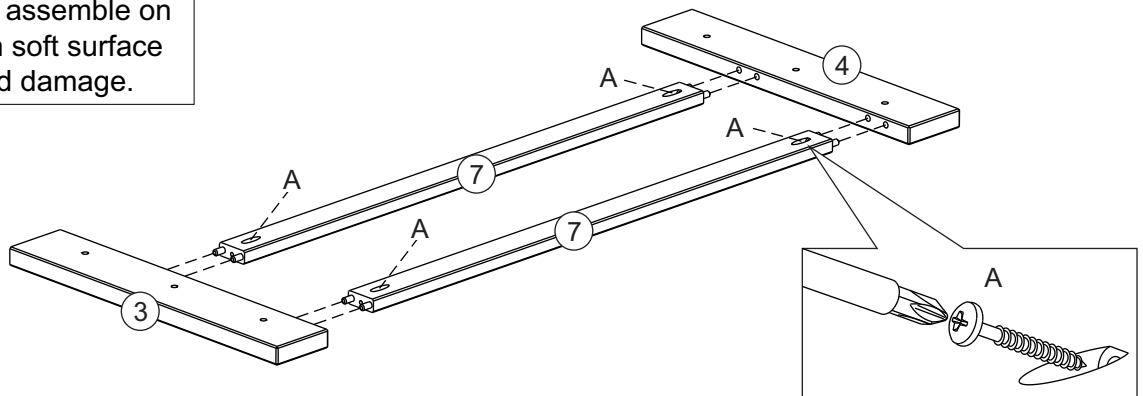
Please assemble on a clean soft surface to avoid damage.



06



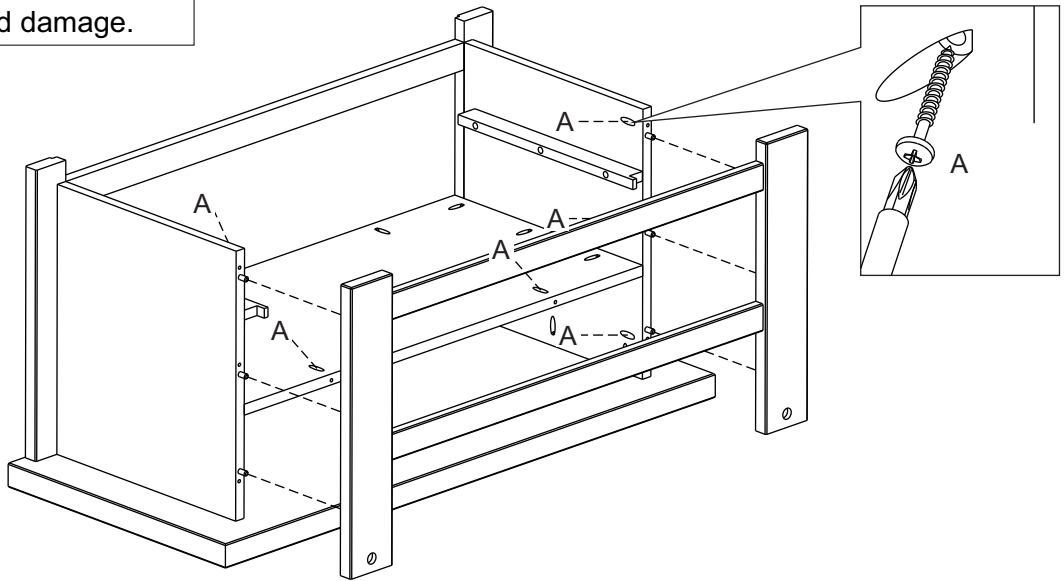
Please assemble on a clean soft surface to avoid damage.



07



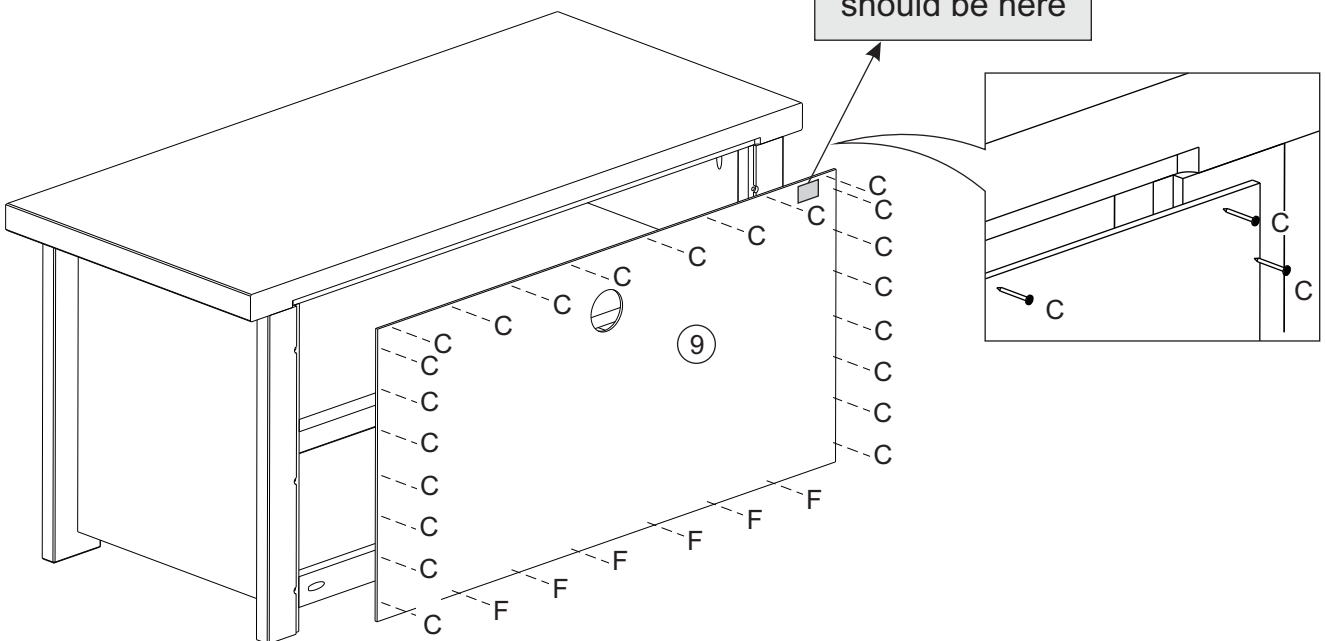
Please assemble on a clean soft surface to avoid damage.

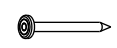



A	 Ø 3,5 x 35mm	08
---	---	----

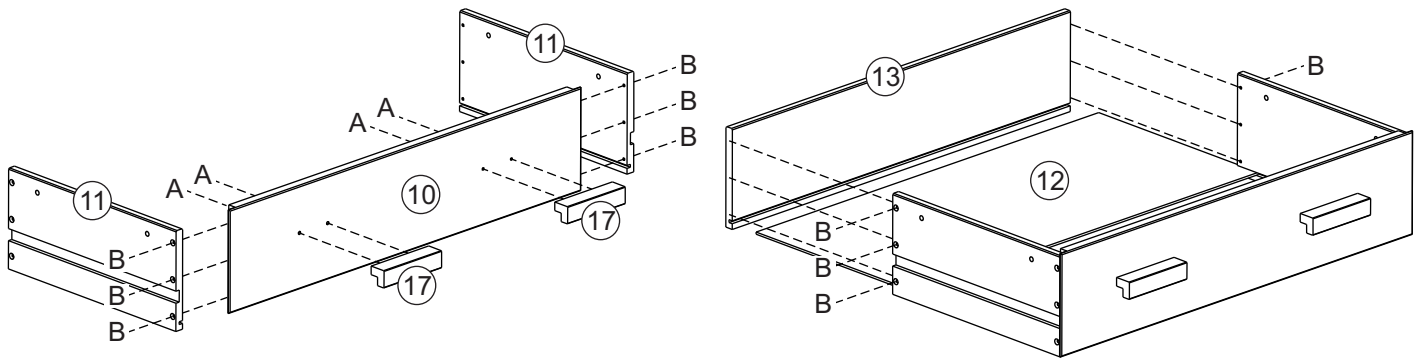
08

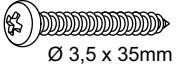

For your future reference order number should be here



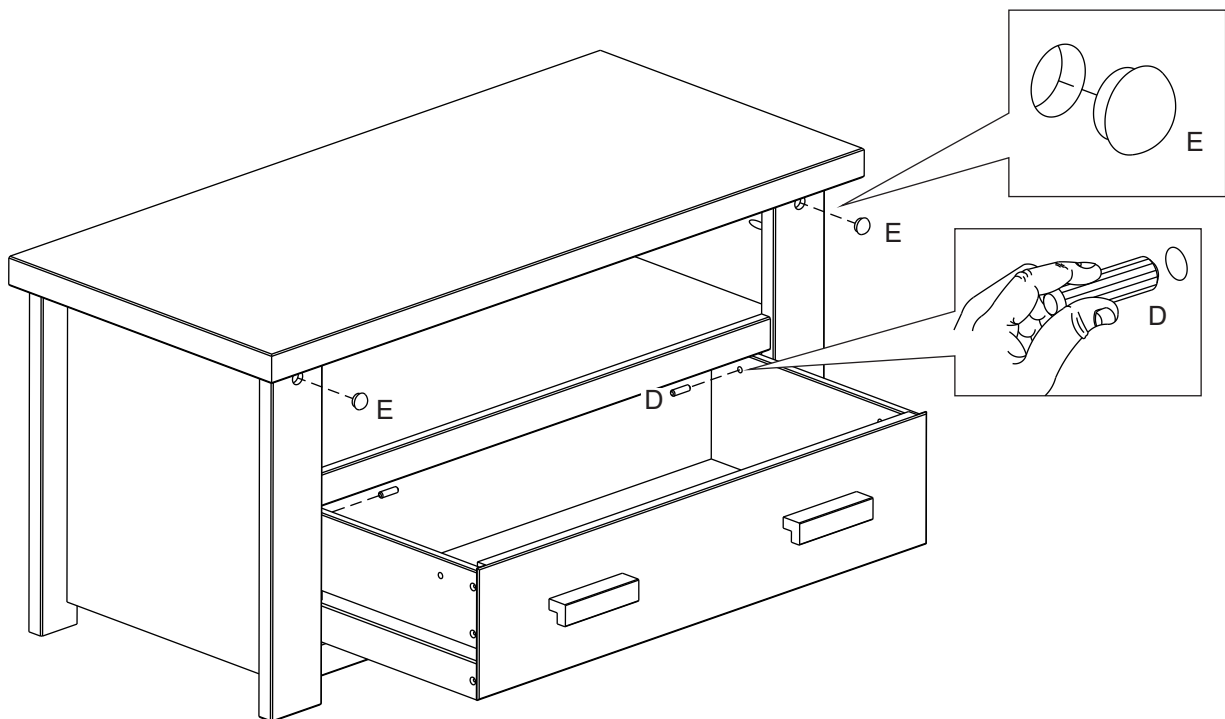
C	 10x10mm	24
F	 3,5 x 16	06

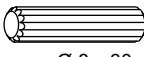

09



A		04
B		12

10



D		02
E		02