

ASSEMBLY INSTRUCTIONS

4 DOOR WARDROBE

IMPORTANT: READ THESE INSTRUCTIONS CAREFULLY BEFORE ASSEMBLING OR USING YOUR 4 DOOR WARDROBE.

PLEASE KEEP THESE INSTRUCTIONS FOR FUTURE REFERENCE.

ASSEMBLY INSTRUCTIONS:

Please check contents and read instructions carefully before commencing assembly.

To avoid damages assemble the item on a soft, clean surface.

Assemble in the room of use.

HEALTH & SAFETY:

DO NOT use this wardrobe if any parts are missing, damaged or worn.

DO NOT use this wardrobe unless all fixings are secured.

Always use on a level, even surface.

It is recommended that two people handle and assemble the item.

Keep small parts out of the reach of children.

CARE & MAINTENANCE:

This product is manufactured in pine which is a wood with natural characteristics including knots, grains, clusters or indentations.

On unpacking the item you may notice an odour due to the production process, however, this will disappear after a period of time.

Do not place the item next to a radiator or direct sunlight as this item is susceptible to temperature change.

It is recommended to maintain an even room temperature with no sudden fluctuations.

For general cleaning use a duster or damp cloth (almost dry) not wet – do not use soap and water, detergents, aerosol sprays or any polish as the use of these materials would invalidate any claims.

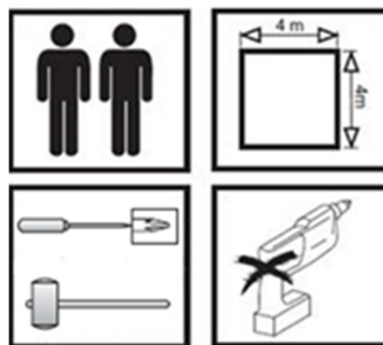
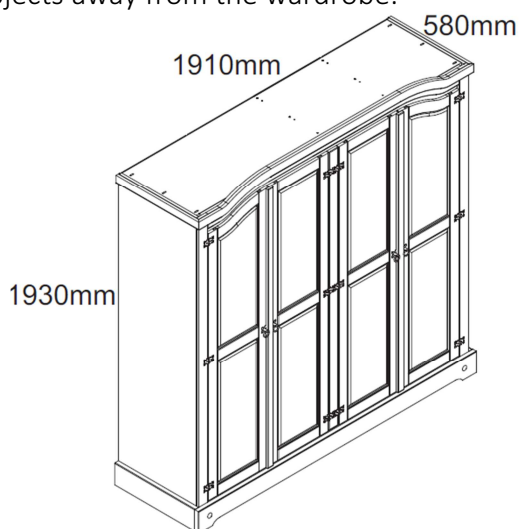
You may wish to re-treat the surface to maintain the original finish. This can be done using block wax (unperfumed). Please follow the manufacturer's instructions carefully.

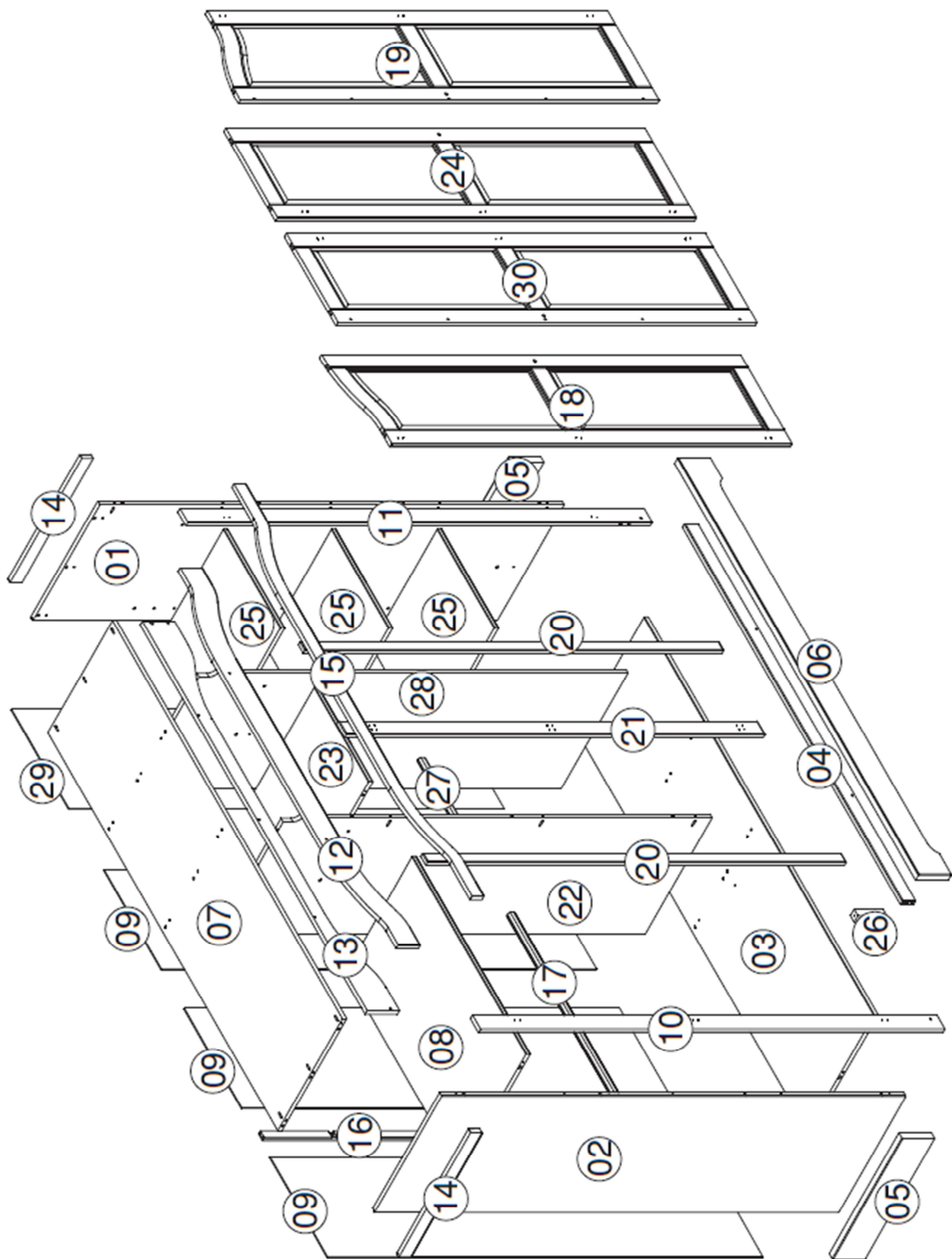
Do not place the item onto wet or damp flooring as staining may occur to the floor.




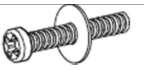


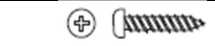



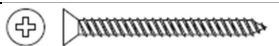
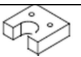
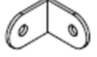



Periodically check all screws & fixings to ensure they are secure.

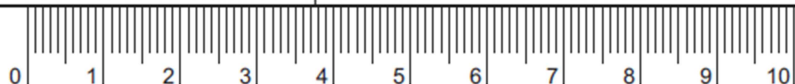
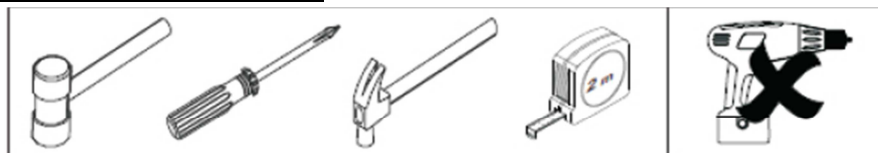
DO NOT push the wardrobe as this will damage the base.

Keep any sharp objects away from the wardrobe.

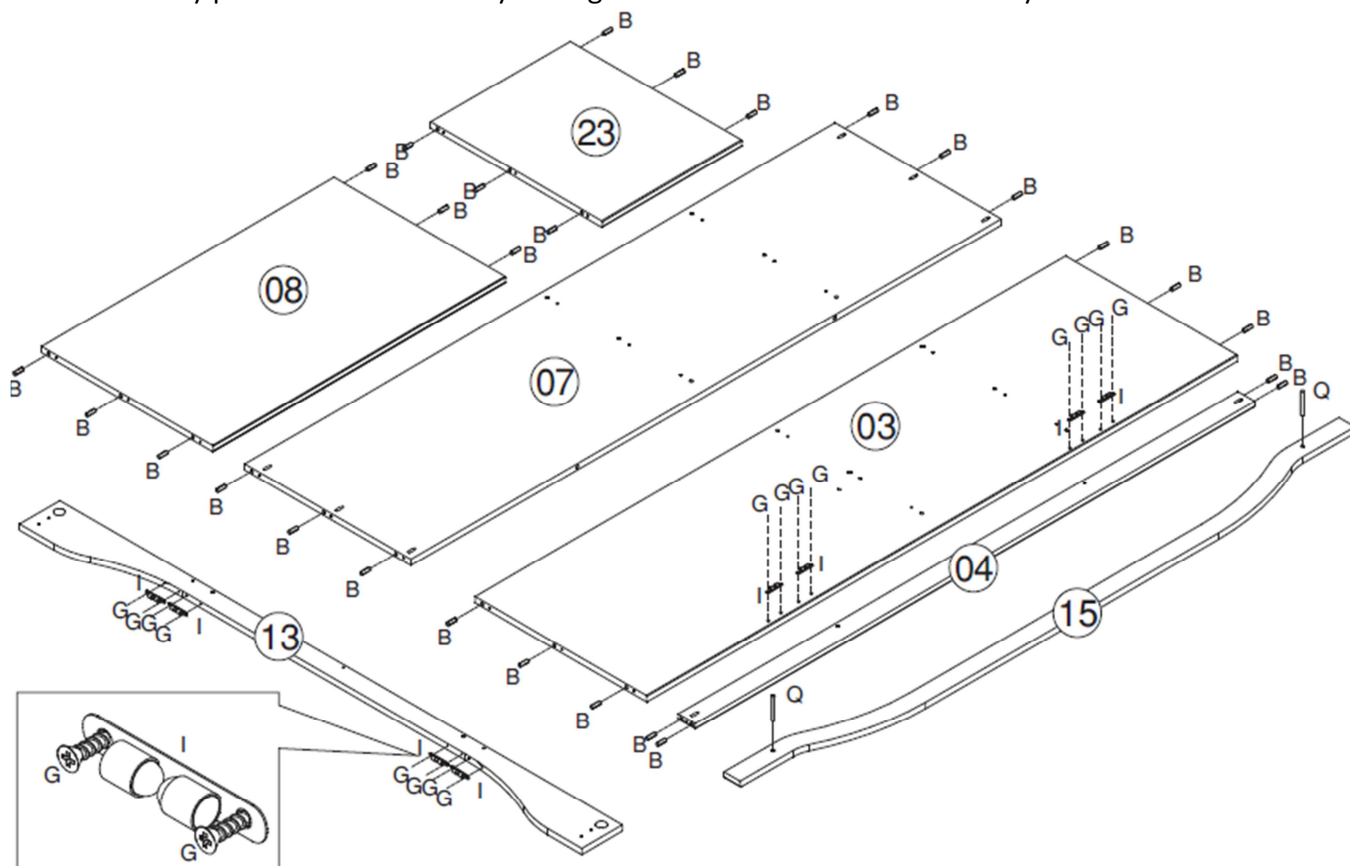




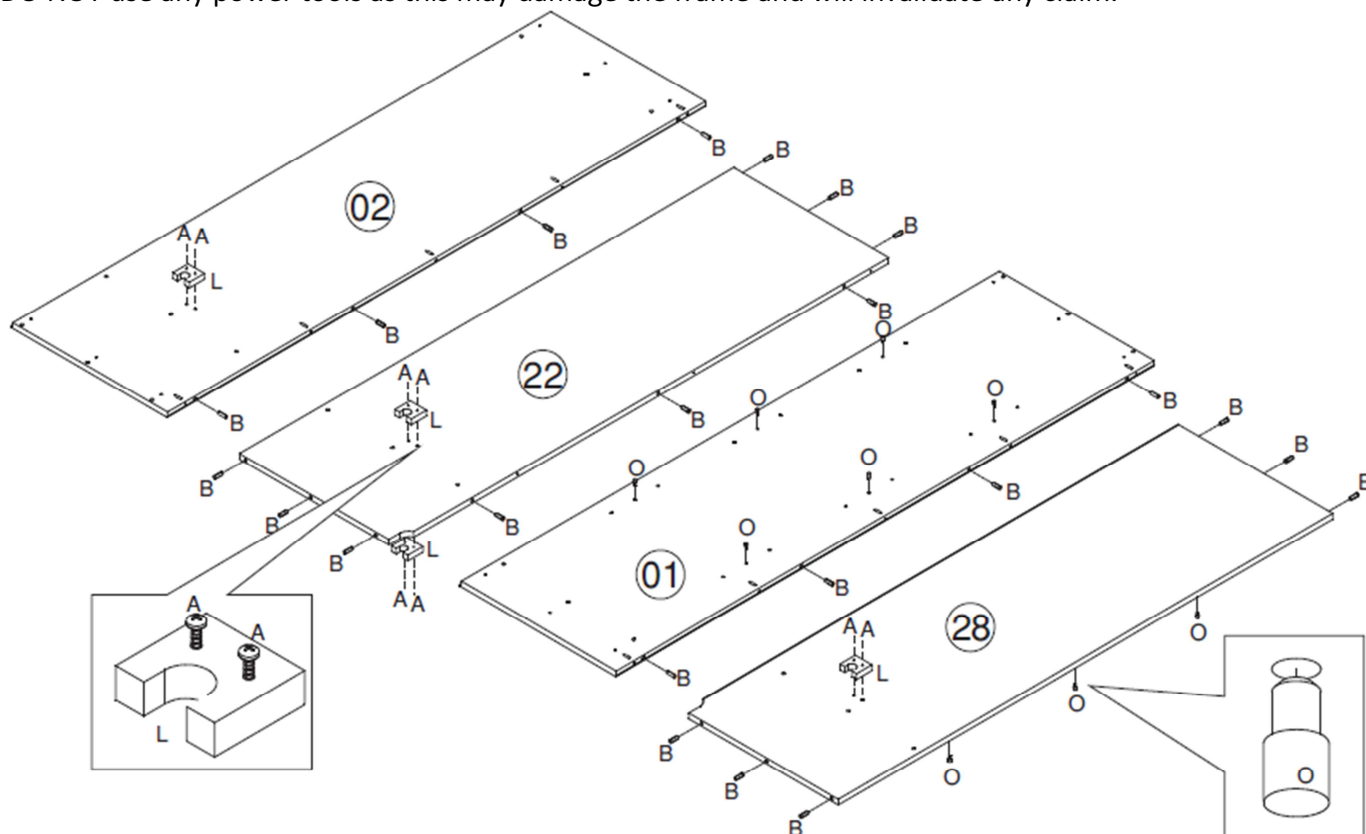
Parts List				Hardware List		
Part	Description	Box	Qty	Part	Description	Qty
1	Right Panel	1	1	A	3.5 x 35 mm Screw 	62
2	Left Panel	1	1	B	8 x 25 mm Wooden Dowel 	51
3	Base Panel	3	1	C	Stud 	2
4	Base Rail	3	1	D	3/16 x 5/8 Bolt 	4
5	Base Side Plinth	3	2	E	10 x 10 mm Tack 	74
6	Base Front Plinth	3	1	F	Handle 	4
7	Top Panel	3	1	G	3.5 x 14 mm Black Screw 	114
8	Left Top Shelf	1	1	H	Hinge 	12
9	Back Panel	2	3	I	Connector 1 	8
10	Left Front Frame	1	1	J	Connector 2 	8
11	Right Front Frame	1	1	K	4 x 4.5 mm Screw 	15
12	Top Front Plinth	3	1	L	Hanging Rail Support 	4
13	Inner Top Rail	3	1	M	Bracket 	5
14	Top Side Plinth	1	2	O	Shelf Support 	12
15	Outer Top Rail	3	1	P	3.5 x 30 mm Screw 	21
16	Spine	1	1	Q	8 x 40 mm Wooden Dowel 	2
17	Large Hanging Rail	3	1	** You will need a small mallet and a screwdriver		
18	Left Door	2	1			
19	Right Door	2	1			
20	Door Stopper	2	2			
21	Centre Front Frame	1	1			
22	Left Division Panel	1	1			
23	Small Top Shelf	1	1			
24	Centre Right Door	2	1			
25	Side Shelf	1	3			
26	Base Support	3	1			
27	Small Hanging Rail	1	1			
28	Right Division Panel	1	1			
29	Right Back Panel	2	1			
30	Centre Left Door	2	1			



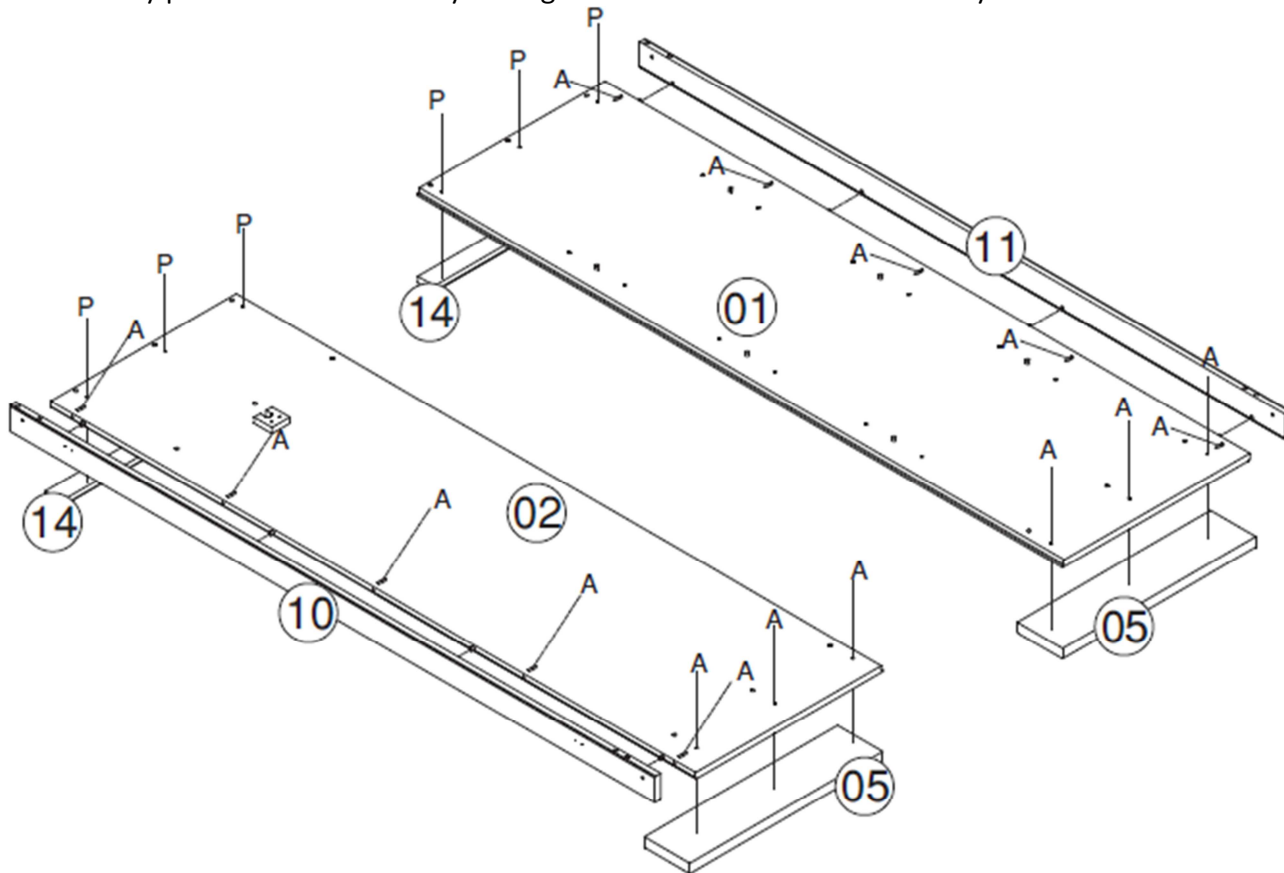
Step 1: Insert hardware parts B and Q using a small mallet (not provided). Attach hardware part I using hardware part G and a screwdriver (not provided).
 DO NOT use any power tools as this may damage the frame and will invalidate any claim.



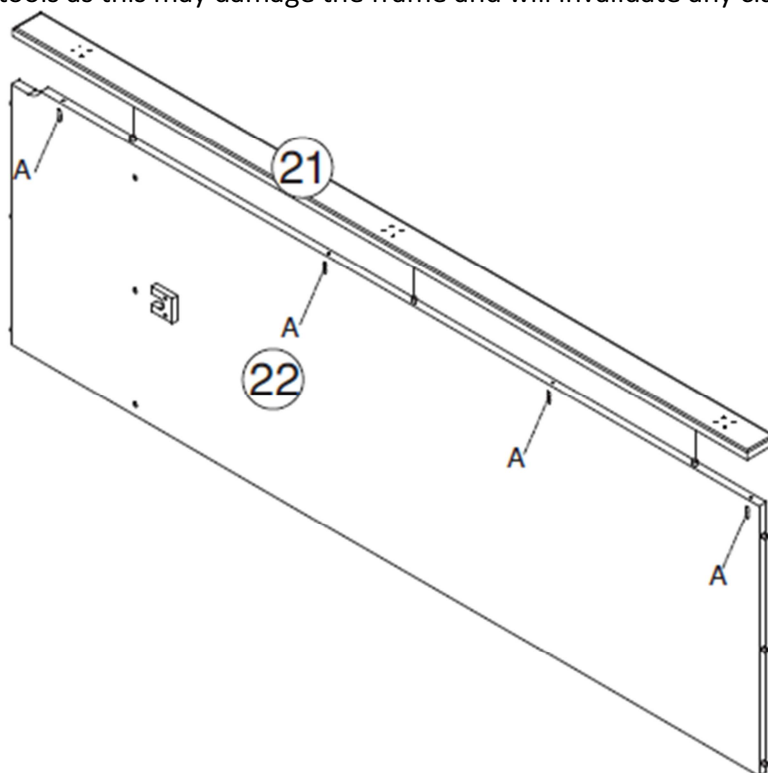
Step 2: Insert hardware parts B and O using a small mallet (not provided). Attach hardware part L with hardware part A and a screwdriver (not provided).
 DO NOT use any power tools as this may damage the frame and will invalidate any claim.



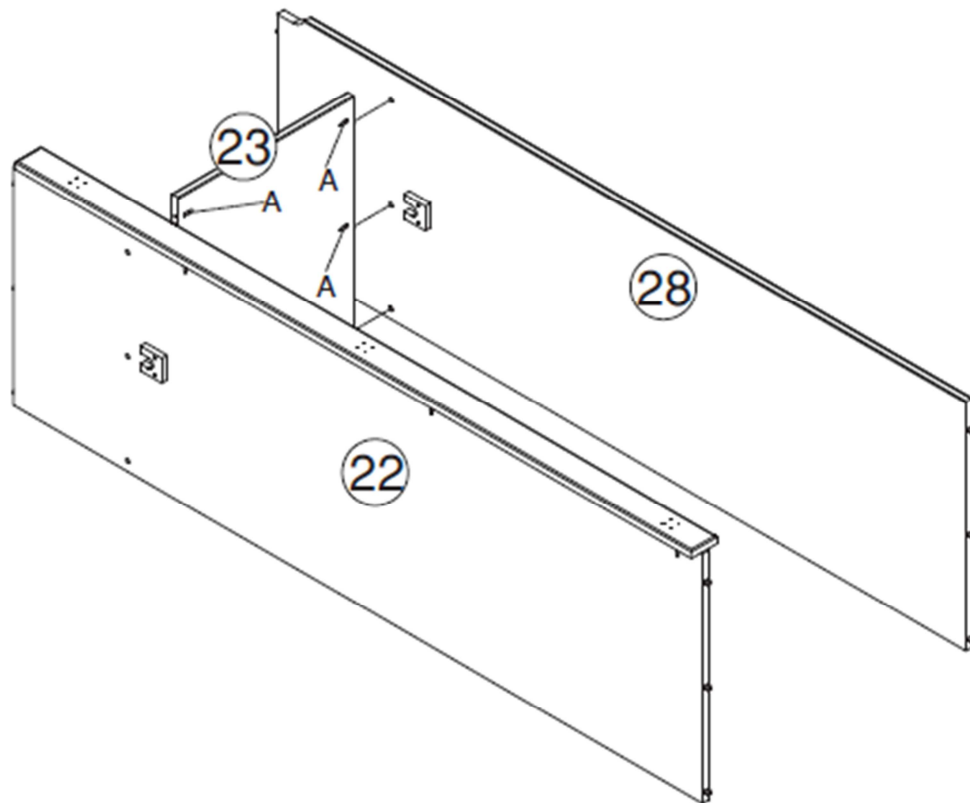
Step 3: Attach the left front frame (10) and a base side plinth (5) to the left panel (2) using hardware part A, then attach a top side plinth (14) using hardware part P with a screwdriver (not provided). Repeat for the right panel (1), right front frame (11) and the remaining top side plinth (14) and base side plinth (5). DO NOT use any power tools as this may damage the frame and will invalidate any claim.



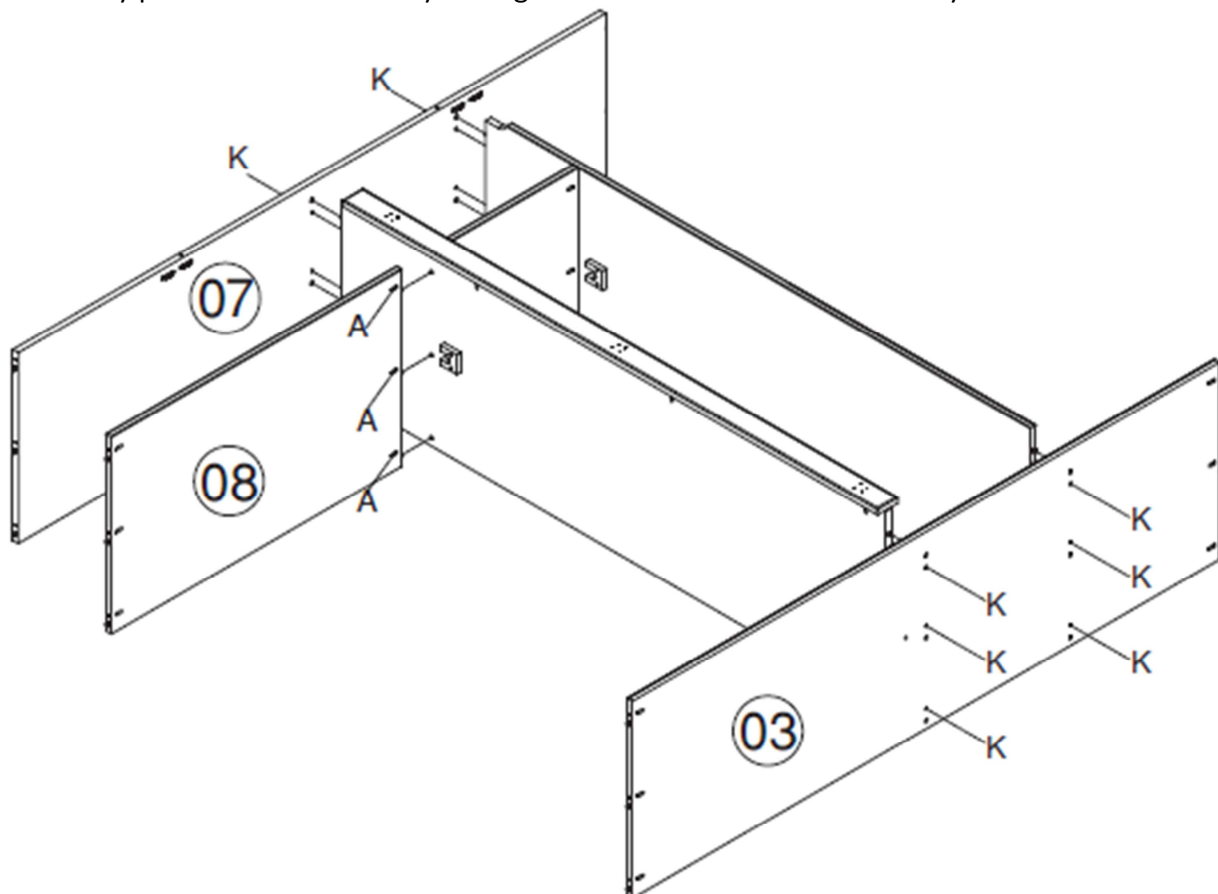
Step 4: Attach the centre front frame (21) to the left division panel (22) using hardware part A and a screwdriver (not provided). DO NOT use any power tools as this may damage the frame and will invalidate any claim.



Step 5: Connect the left division panel (22) and right division panel (28) to the small top shelf (23) using hardware part A and a screwdriver (not provided).
DO NOT use any power tools as this may damage the frame and will invalidate any claim.

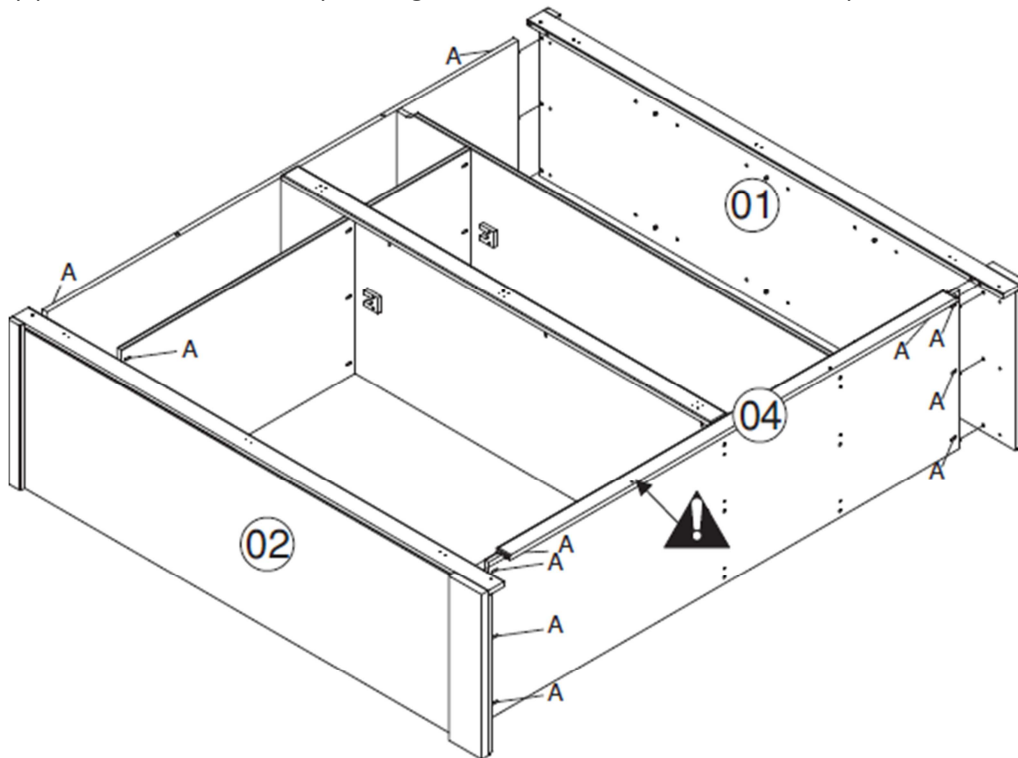


Step 6: Attach the top panel (7) and base panel (3) using hardware part K, then attach the left top shelf (8) using hardware part A and a screwdriver (not provided).
DO NOT use any power tools as this may damage the frame and will invalidate any claim.



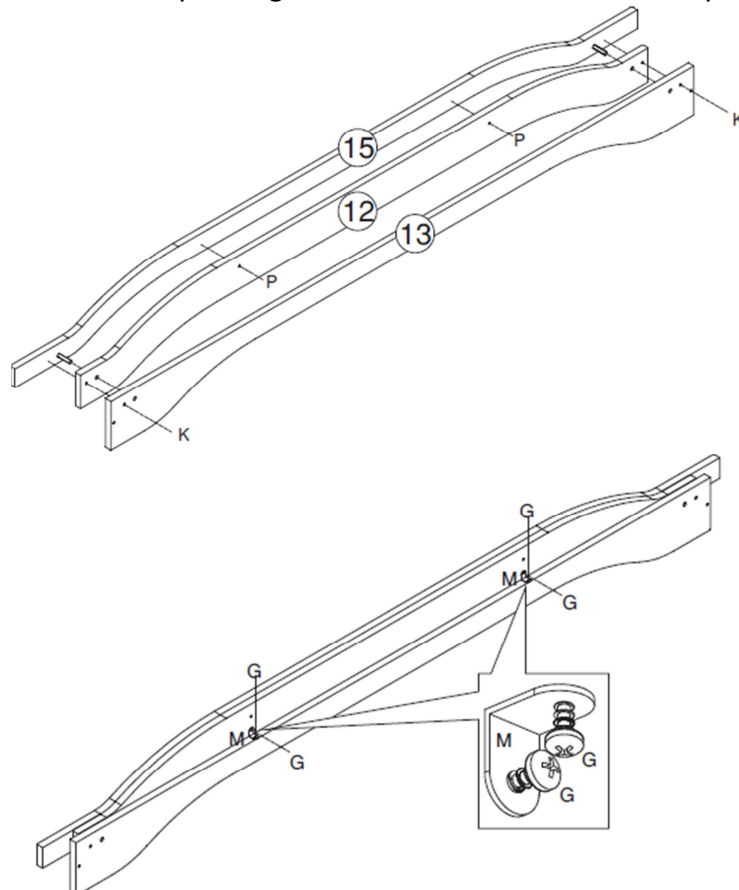
Step 7: Attach the right panel (1), left panel (2) and base rail (4) using hardware part A and a screwdriver (not provided).

DO NOT use any power tools as this may damage the frame and will invalidate any claim.

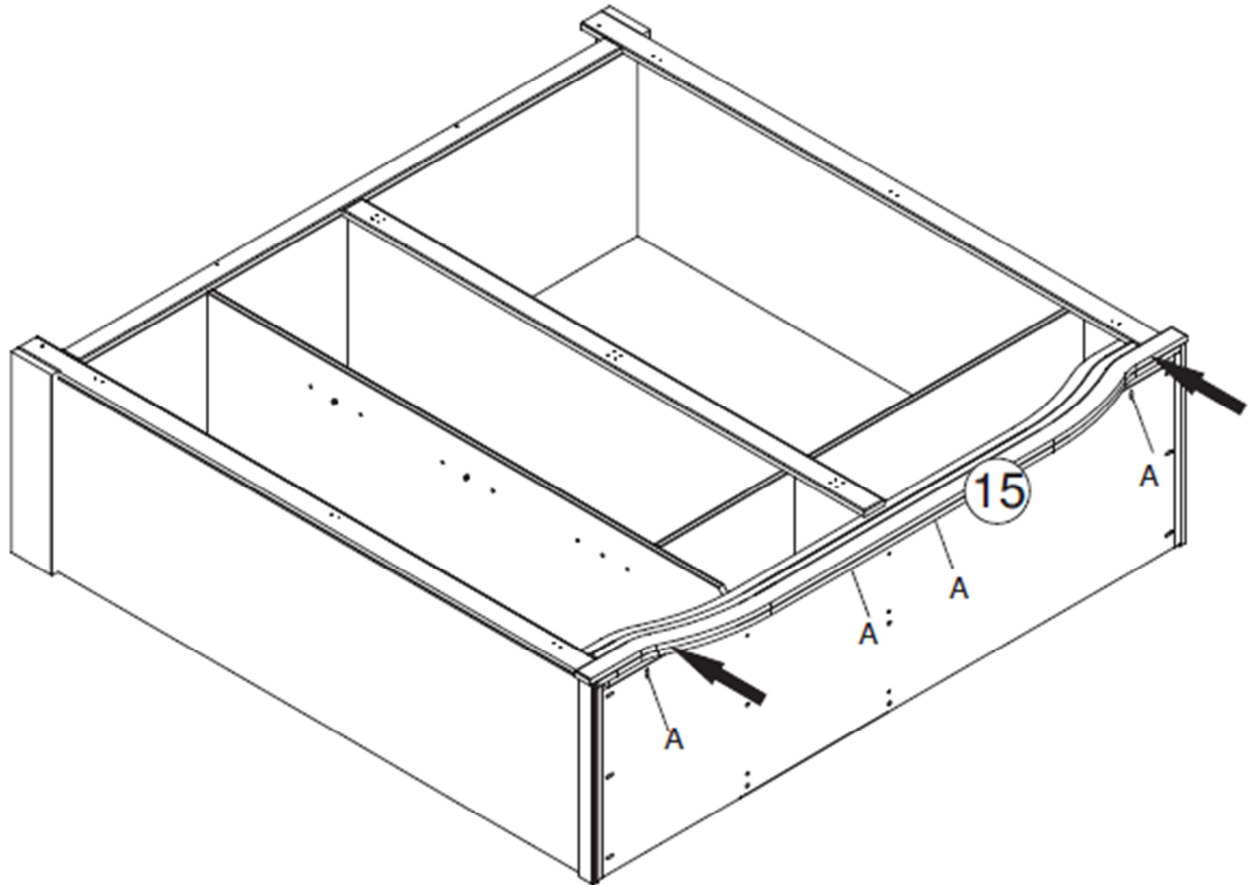


Step 8: Join together the outer top rail (15), top front plinth (12) and inner top rail (13) using hardware parts K and P with a screwdriver (not provided). Then attach hardware part M using hardware part G and a screwdriver (not provided).

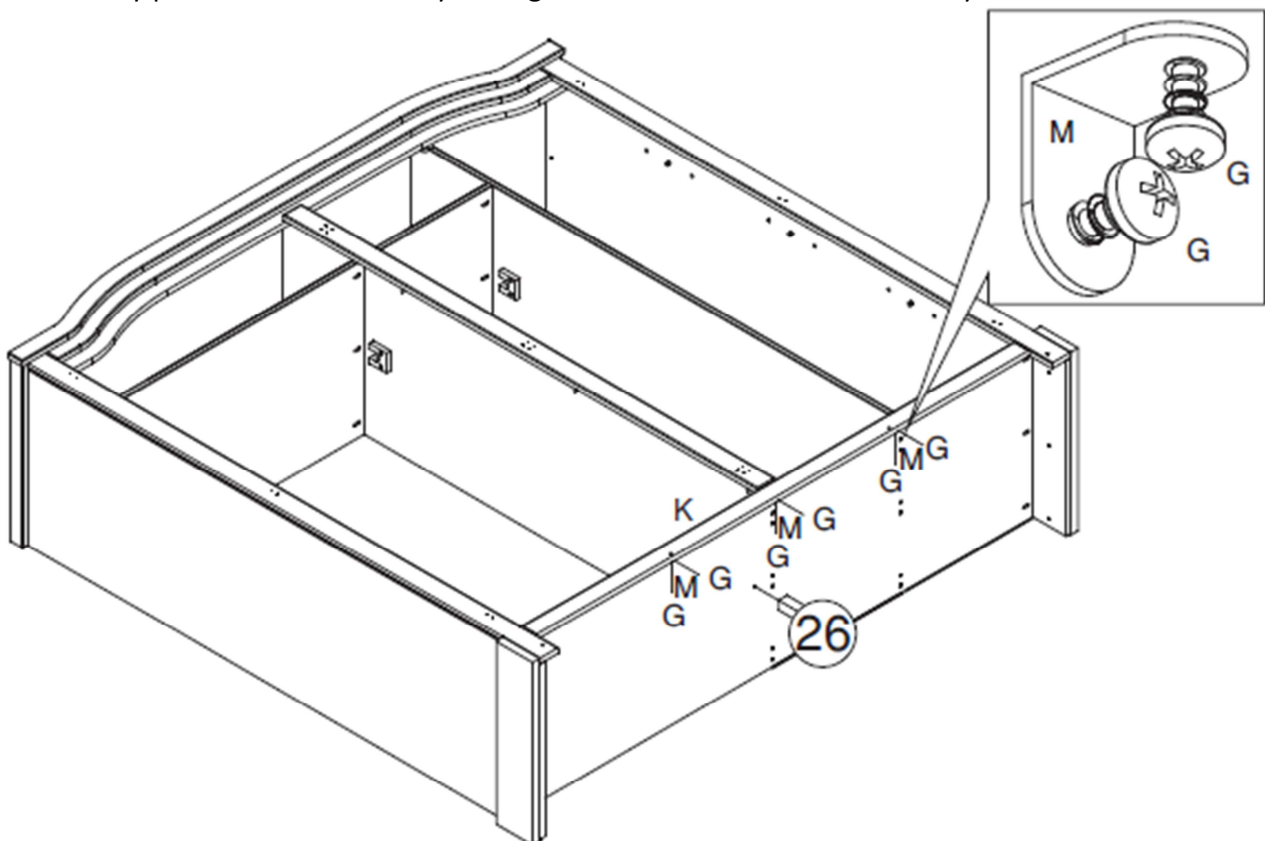
DO NOT use any power tools as this may damage the frame and will invalidate any claim.



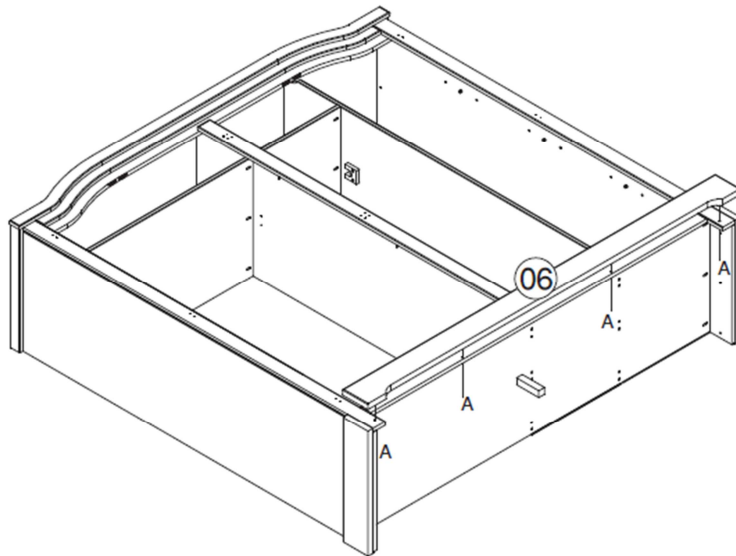
Step 9: Attach the assembled top frame using hardware part A and a screwdriver (not provided). DO NOT use any power tools as this may damage the frame and will invalidate any claim.



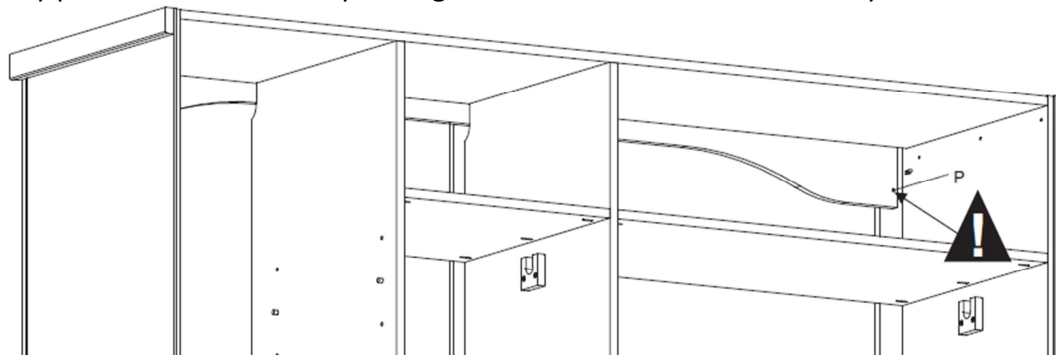
Step 10: Attach the base support (26) using hardware part K, then attach the remaining hardware parts M using hardware part G and a screwdriver (not provided). DO NOT use any power tools as this may damage the frame and will invalidate any claim.



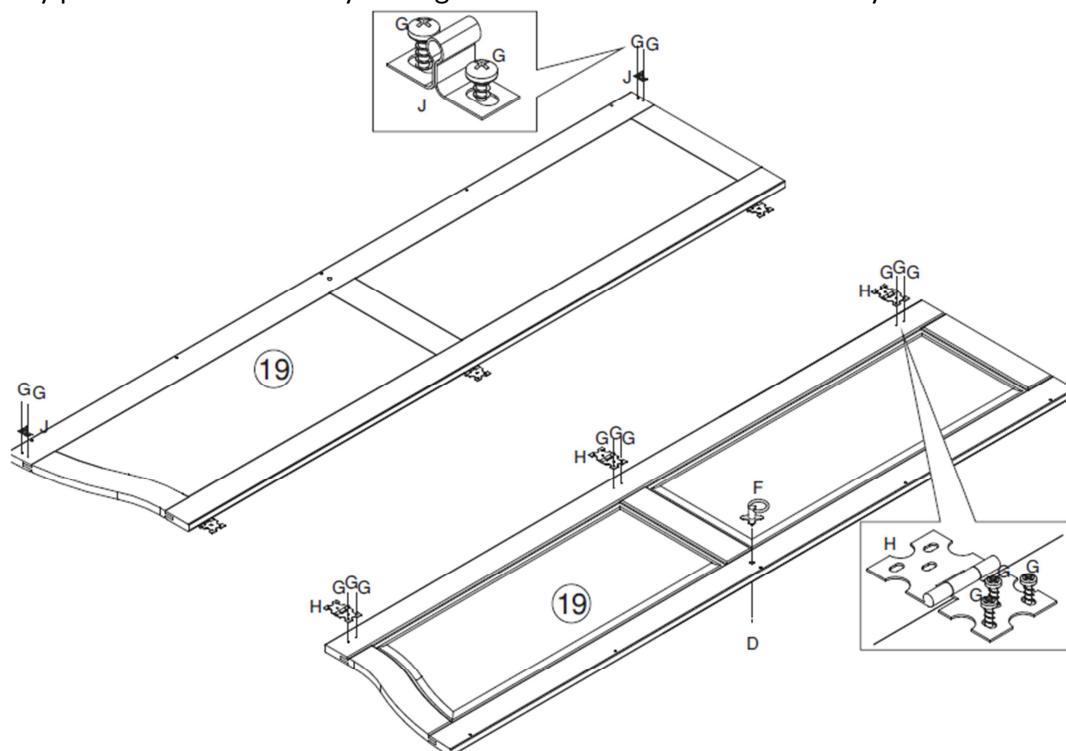
Step 11: Attach the base front plinth (6) using hardware part A and a screwdriver (not provided).
DO NOT use any power tools as this may damage the frame and will invalidate any claim.



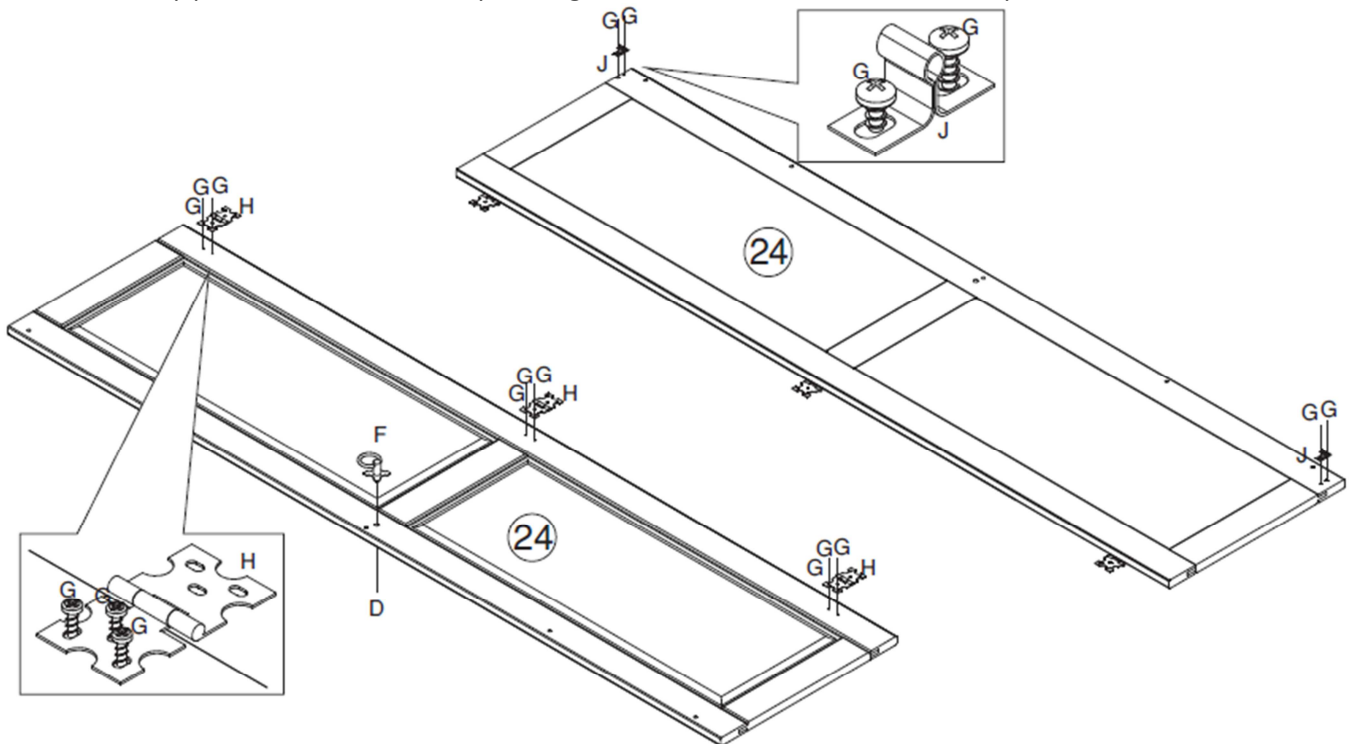
Step 12: Secure the top frame using hardware part P and a screwdriver (not provided).
DO NOT use any power tools as this may damage the frame and will invalidate any claim.



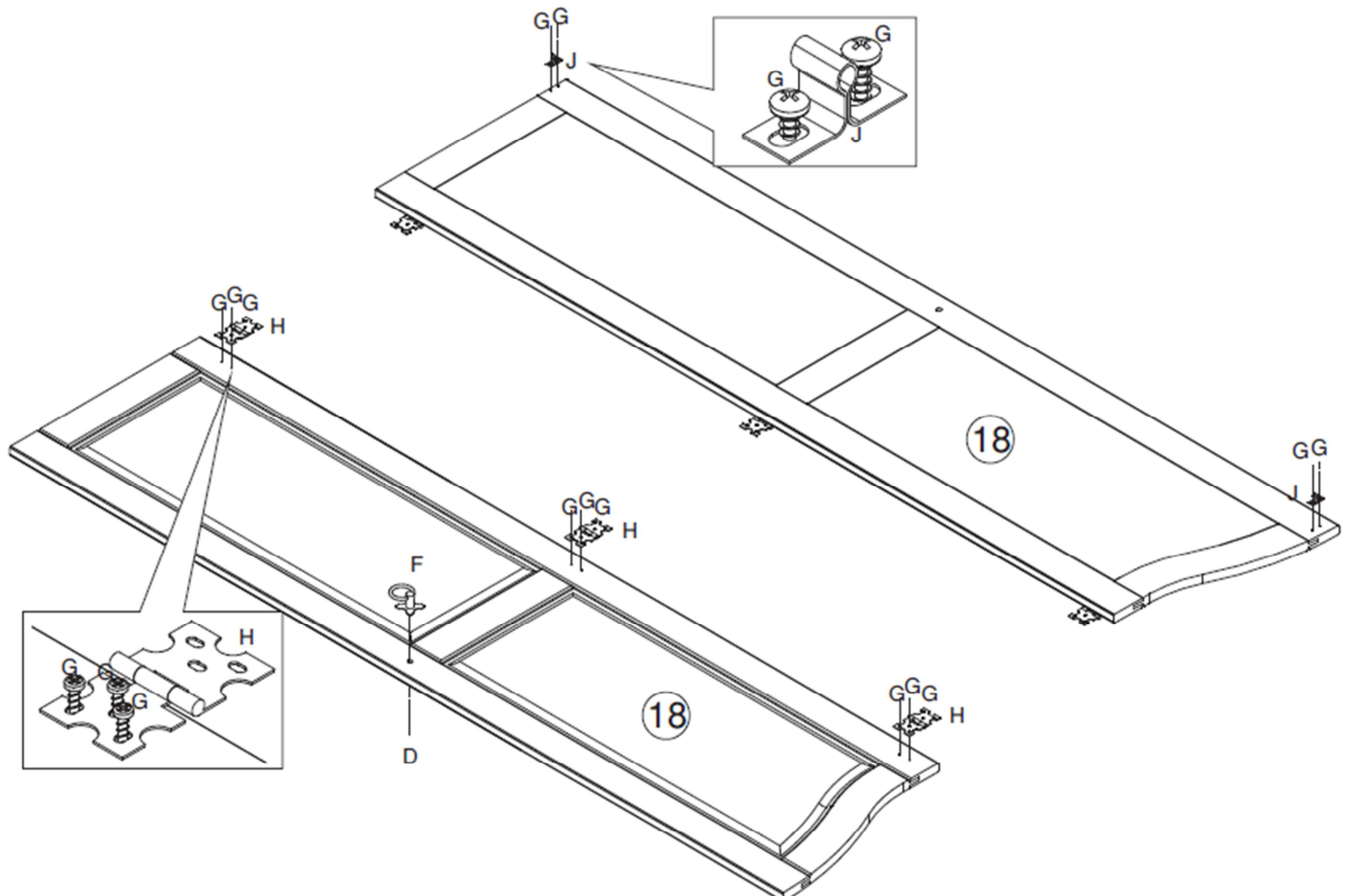
Step 13: Attach hardware parts H and J to the right door (19) using hardware part G, then attach hardware part F using hardware part D and a screwdriver (not provided).
DO NOT use any power tools as this may damage the frame and will invalidate any claim.



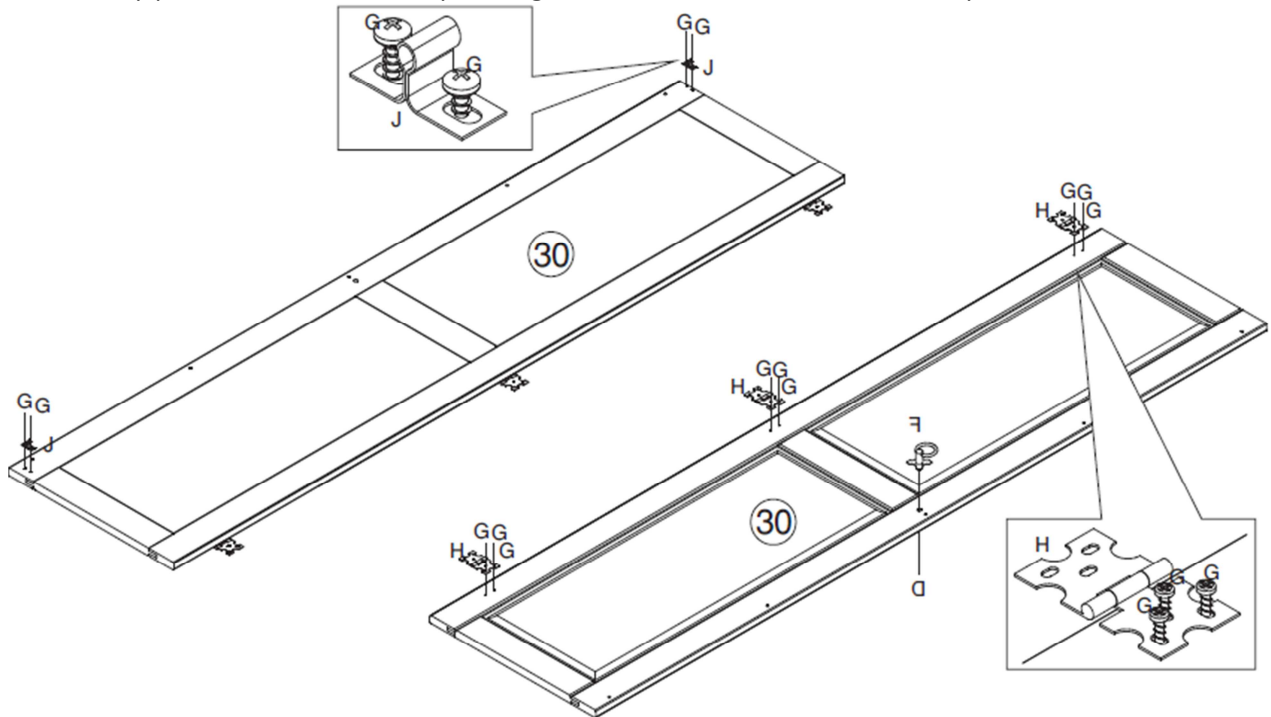
Step 14: Attach hardware parts H and J to the centre right door (24) using hardware part G, then attach hardware part F using hardware part D and a screwdriver (not provided).
DO NOT use any power tools as this may damage the frame and will invalidate any claim.



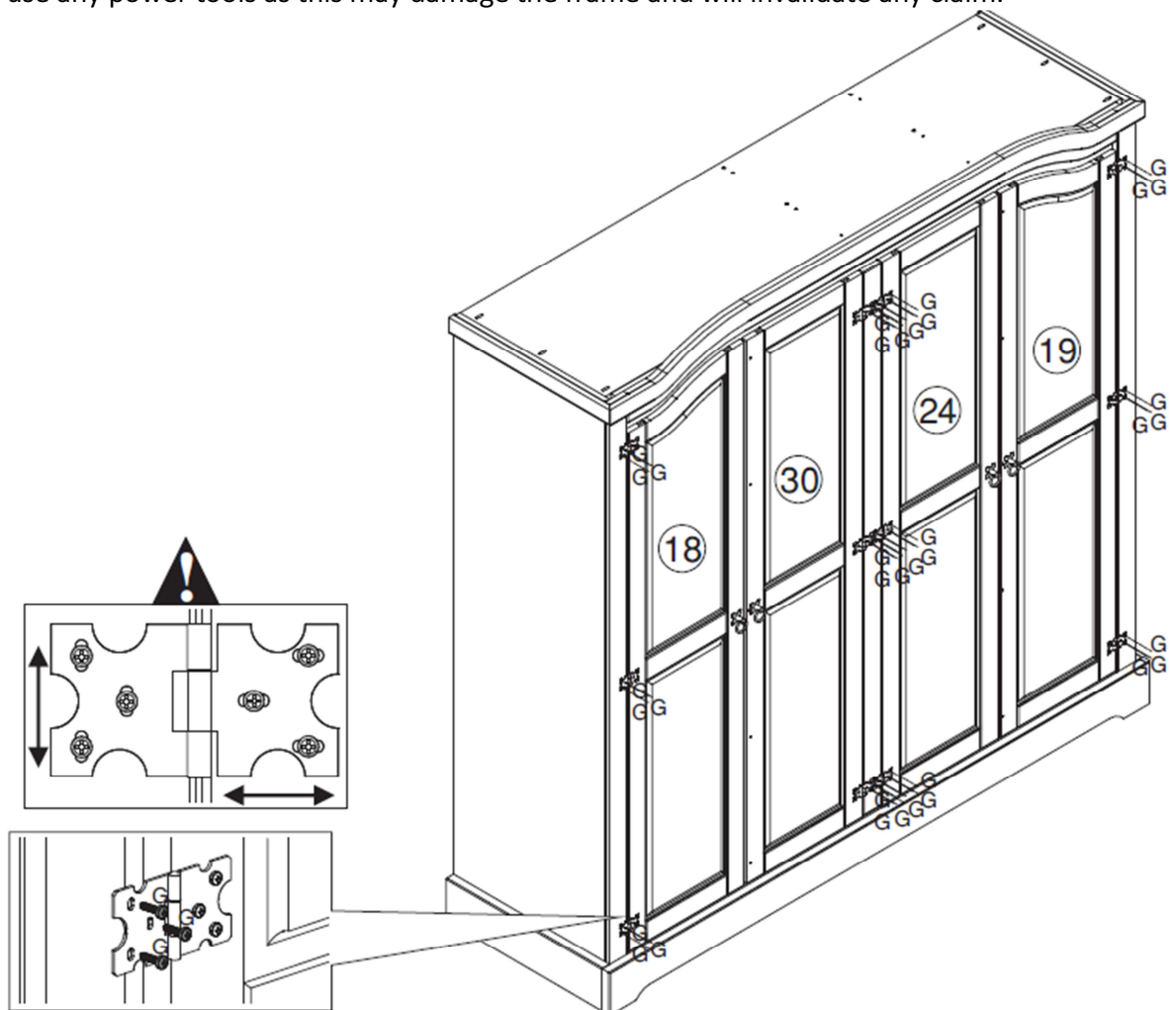
Step 15: Attach hardware parts H and J to the left door (18) using hardware part G, then attach hardware part F using hardware part D and a screwdriver (not provided).
DO NOT use any power tools as this may damage the frame and will invalidate any claim.



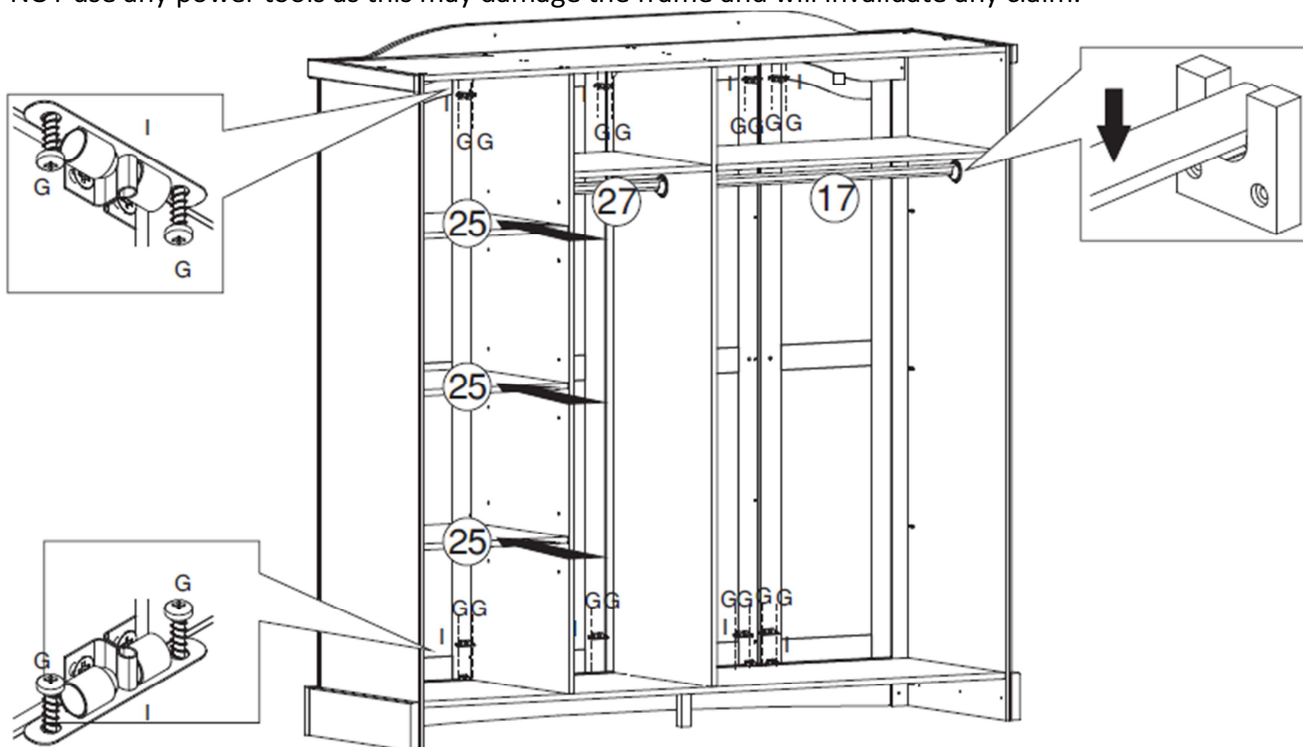
Step 16: Attach hardware parts H and J to the centre left door (30) using hardware part G, then attach hardware part F using hardware part D and a screwdriver (not provided).
 DO NOT use any power tools as this may damage the frame and will invalidate any claim.



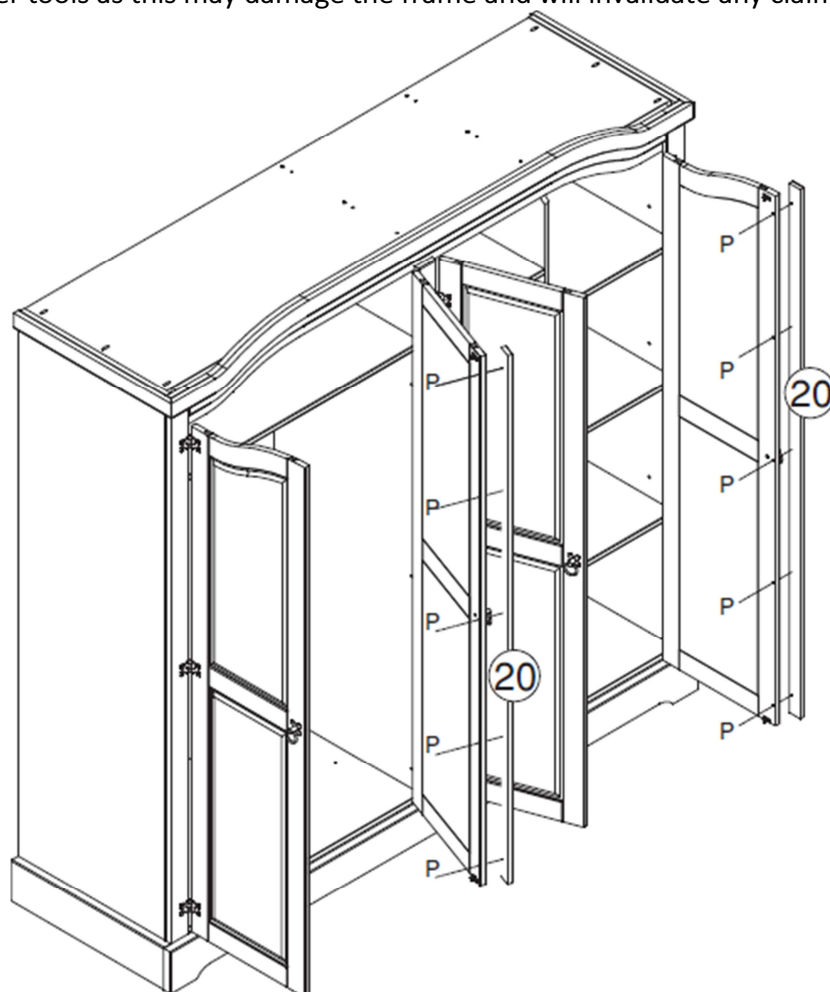
Step 17: Attach the doors using hardware part G and a screwdriver (not provided).
 DO NOT use any power tools as this may damage the frame and will invalidate any claim.



Step 18: Insert the side shelves (25) and large hanging rail (17). Attach hardware part I using hardware part G and a screwdriver (not provided).
DO NOT use any power tools as this may damage the frame and will invalidate any claim.

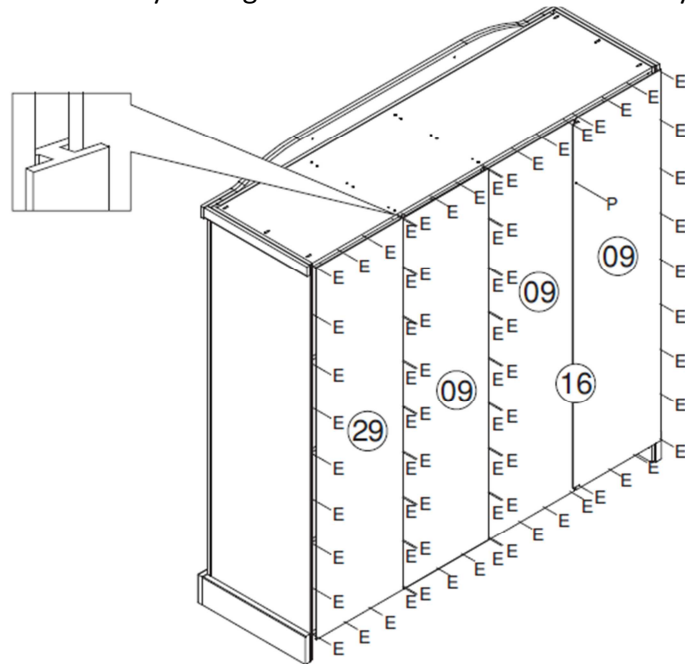


Step 19: Attach the door stoppers (20) using hardware part P and a screwdriver (not provided).
DO NOT use any power tools as this may damage the frame and will invalidate any claim.



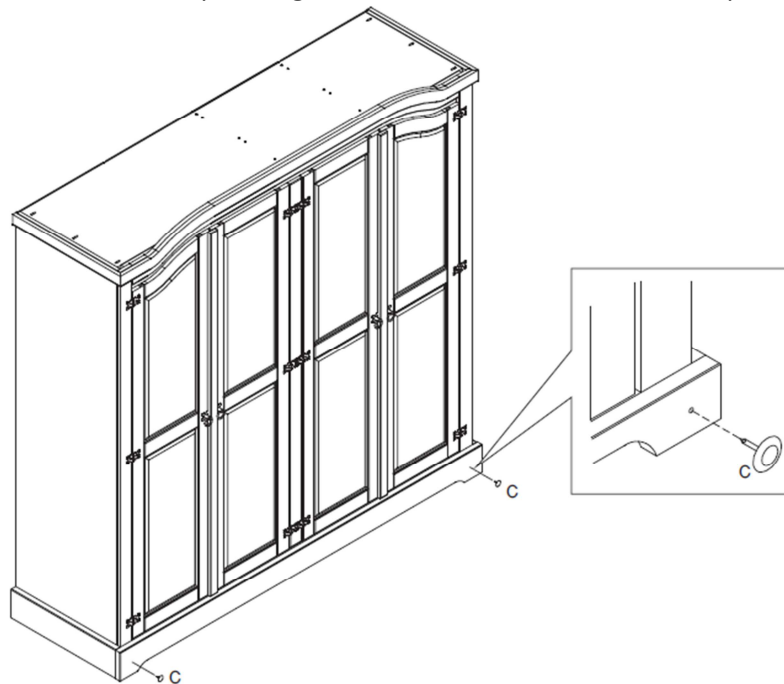
Step 20: Attach the back panels (9), spine (16) and right back panel (29) using hardware part E and a small mallet (not provided).

DO NOT use any power tools as this may damage the frame and will invalidate any claim.



Step 21: Insert hardware part C using a small mallet (not provided).

DO NOT use any power tools as this may damage the frame and will invalidate any claim.



Additional Information: