









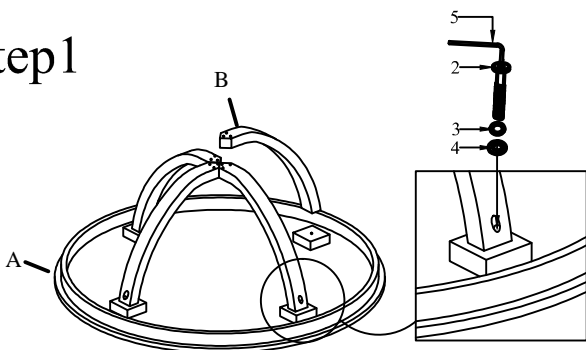


# ASSEMBLY INSTRUCTION

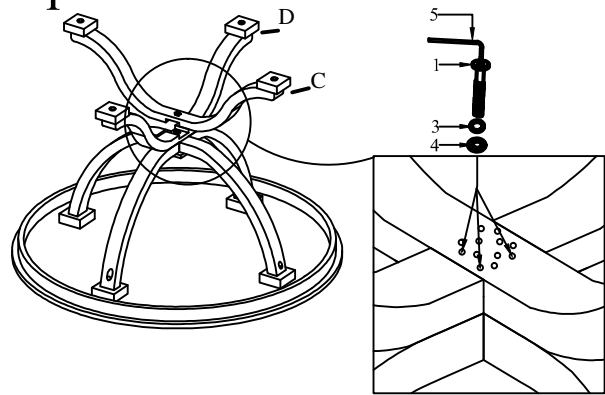
## ROUND DINING TABLE

PARTS LIST				HARDWARE LIST			
NO	Sketch	Part	Q'TY	NO	Shape	Specification	Q'TY
A	TABLE TOP		1 PC	1		BOLT (1/4 x 2-3/4")	12 PCS
B	COLUMN		4 PCS	2		BOLT (1/4 x 1-1/2")	4 PCS
C	LOWER PEDESTAL		1 PC	3		NQEMY CUJ GT*3/16"x1/32"+	16 PCS
D	UPPER PEDESTAL		1 PC	4		HNCVY CUJ GT*3/16"x1/32"+	16 PCS
E	COVER		1 PC	5		ALLEN KEY(4 MM)	1 PC

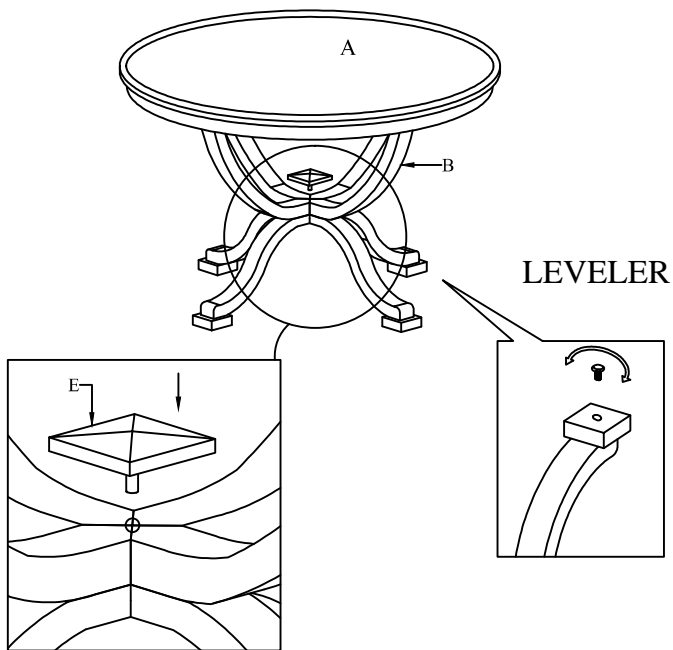
### Step1



### Step2



### Step3



### FINAL

