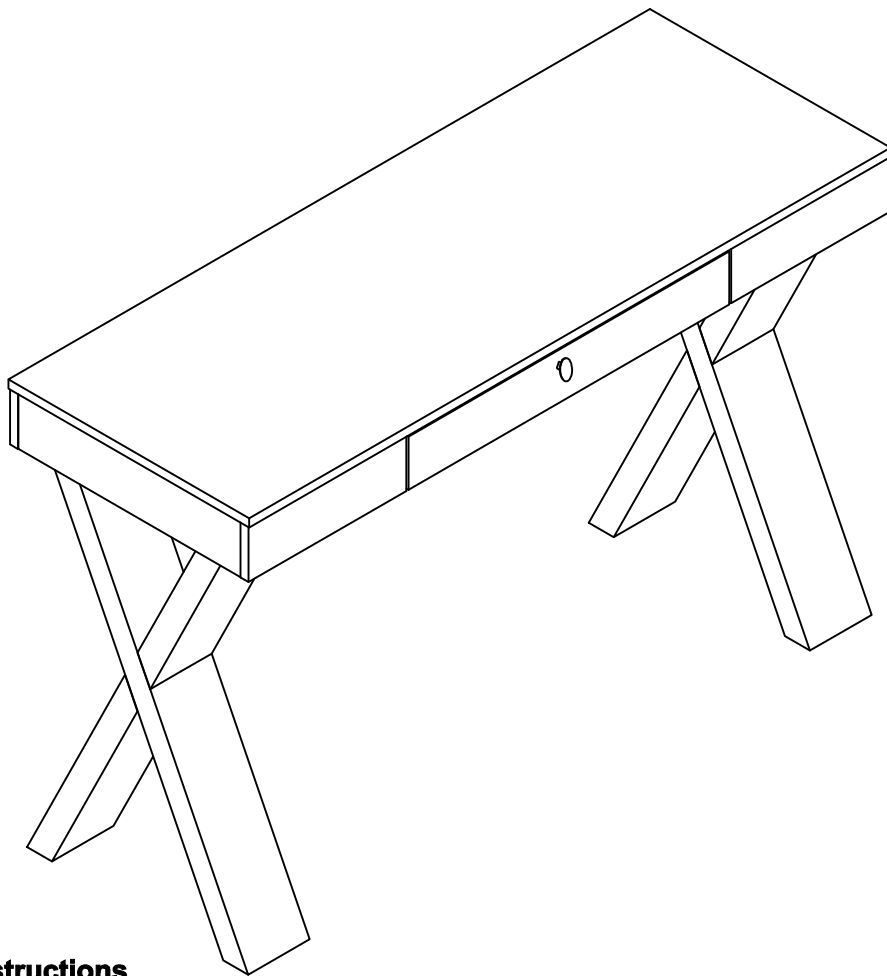


Desk



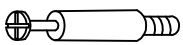
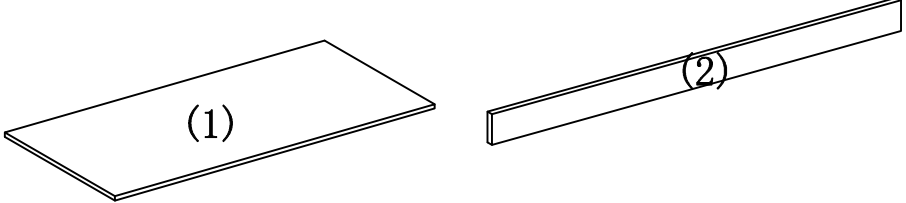


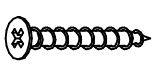


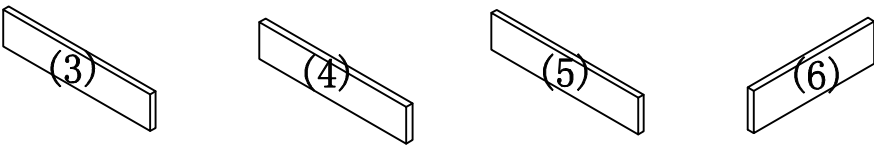
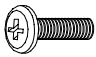

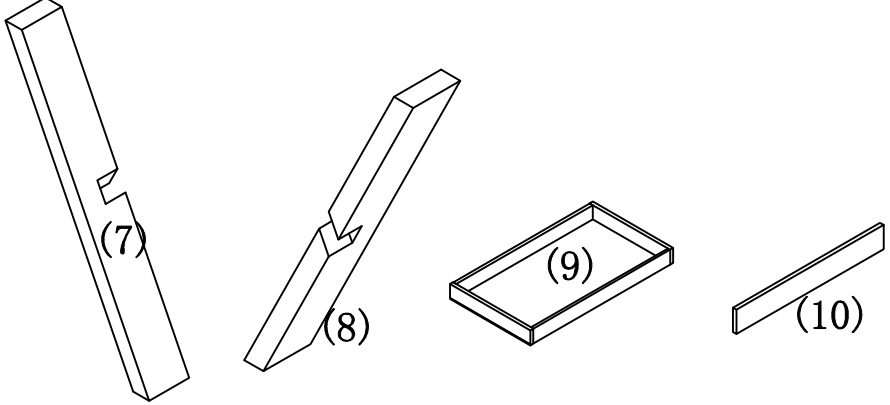
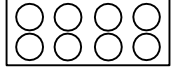



Assembly instructions

We have designed our furniture with you, the customer in mind. Our clear, easy to follow, step by step instructions will guide you through the project from start to finish. Feel confident that this will be a fun and rewarding project. The final product will be a quality piece of furniture that will go together smoothly and give years of enjoyment.

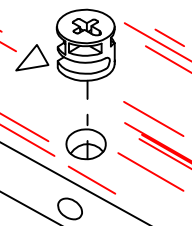
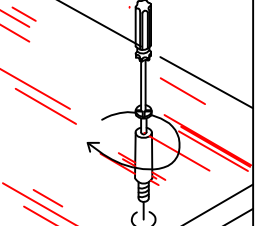
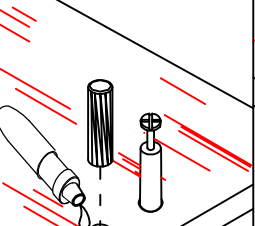
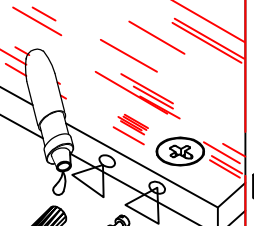
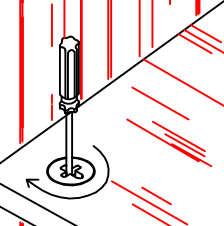


Please do not return to the store
. Broken or missing Hardware?
. Need help with assembly?

Hardware List

Part List		
(A) 	 <p>(1) DESK TOP(1PC)</p> <p>(2) FRAME BACK RAIL(1PC)</p>	
CAMLOCK(23PCS)		
(B) 		
CAMLOCK(23PCS)		
(C) 		
DOWEL(20PCS)		
(D) 		
LONG SCREW(3PCS)		
(E) 		
SHORT SCREW(16PCS)		
(F) 		 <p>(3) OUTER FRAME RAILS(2PCS)</p> <p>(4) INNER FRAME RAIL-RIGHT(1PC)</p> <p>(5) INNER FRAME RAIL-LEFT(1PC)</p> <p>(6) FRONT FRAME RAILS(2PCS)</p>
BRACKET(4PCS)		
(G) 		
PHILLIPS HEAD BOLT(8PCS)		
(H) 	 <p>(7) INNER LEGS (2PCS)</p> <p>(8) OUTER LEGS (2PCS)</p> <p>(9) DRAWER ASSEMBLY (1PC)</p> <p>(10) DRAWER FRONT (1PC)</p>	
HAMMER IN FOOT(4PCS)		
(I)  RC		
STICKERS(8PCS)		
(J) 		
HANDLE(1PC)		
(K) 		
HANDLE SCREW(1PC)		
(L) 		
GLUE(1PC)		

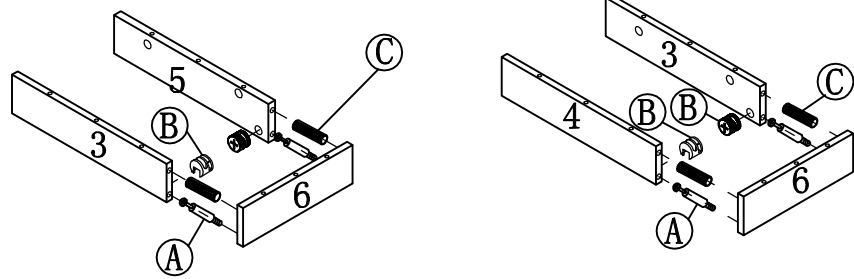
Assembling the unit with camlocks and wood dowels.

				
Insert camlock, camlock must face bolt hole	Gently screw cam dowel into the threaded anchor	lightly glue one end of wood dowel and tap into hole.	lightly glue dowel and connect to second panel by inserting dowels into holes	Gently screw the cam clockwise into locked position. Do not overtighten.

Step 1

1. Attach camlock hardware to frame rails as shown.

2. Attach front frame rails (6) to outer (3) and inner (4) and (5) frame rails using care not to overtighten camlocks.



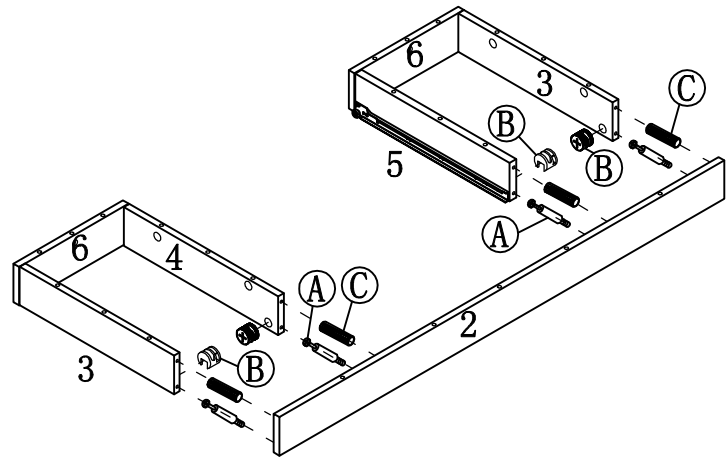
NOTE:

*REFER TO PAGE 3 FOR CAMLOCK INSTRUCTIONS.

Step 2

1. Attach camlock hardware to back frame rail (2) and frame assembly.

2. Connect back rail (2) to frame assembly and gently tighten camlocks.



Step 3

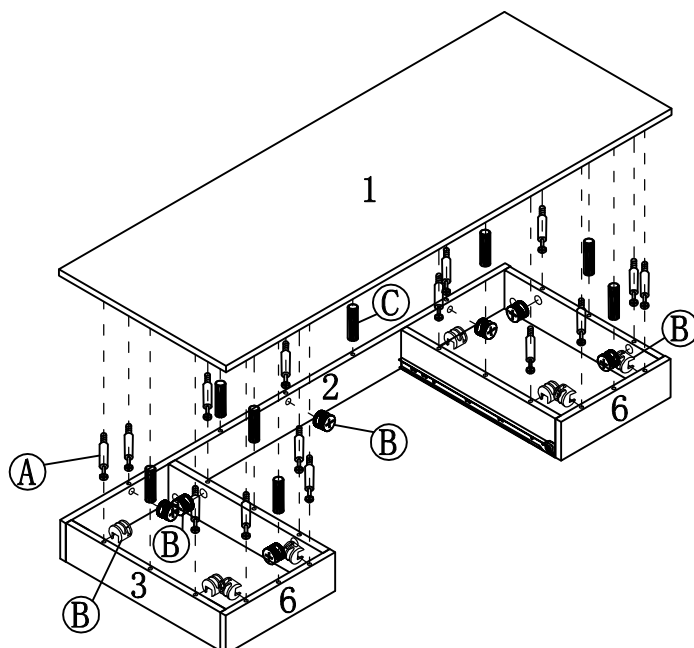
1. Attach all camlock hardware to desk top (1).

2. Insert camlocks into frame assembly.

3. Place desktop (1) onto assembly and tighten camlocks.

OPTIONAL:

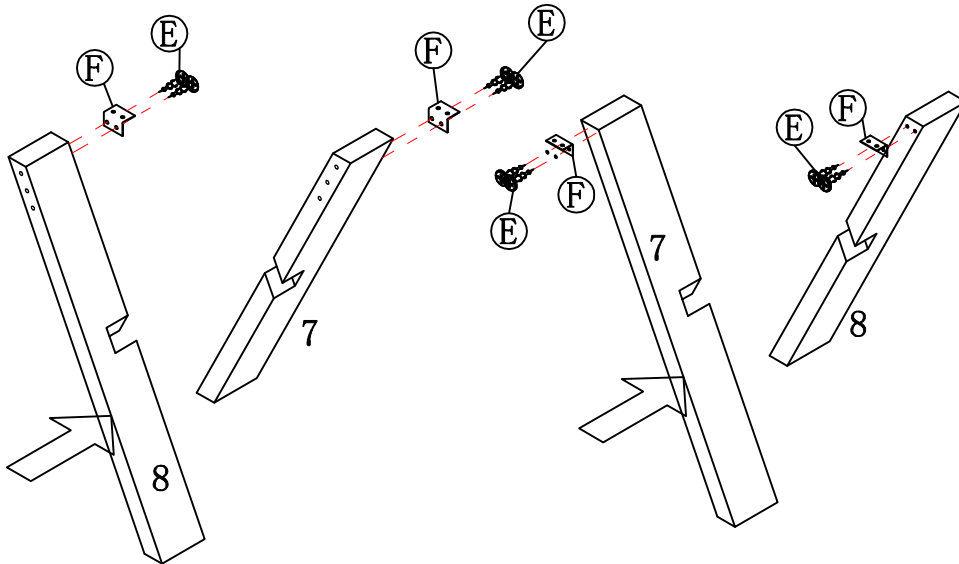
Check fit, remove top, glue and re-assemble.



Step4

1. Connect outer legs (8) to inner legs (7).

2. Attach brackets (F) to tops of legs as shown (Flat parts of brackets face up) using short screws (E).

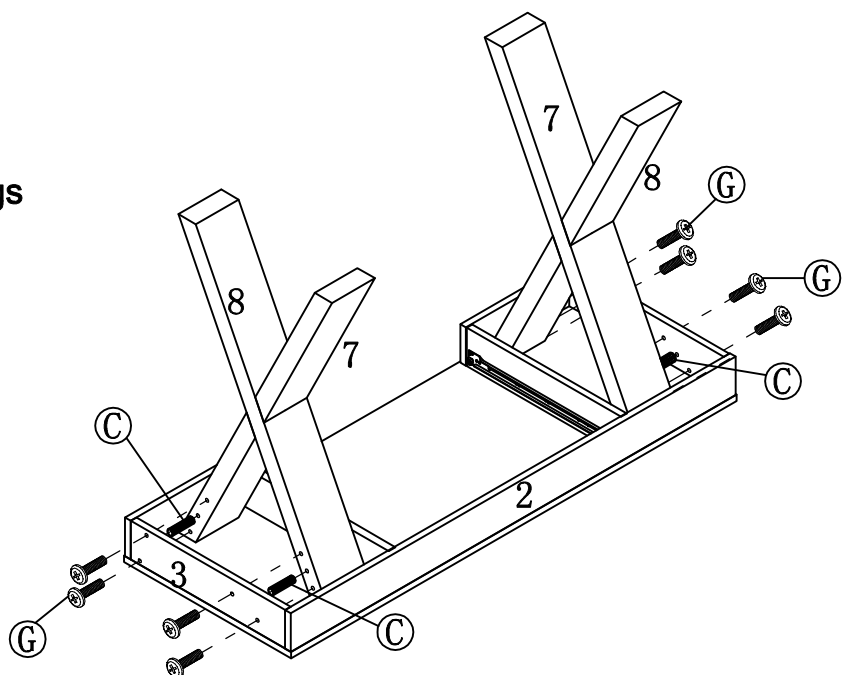


Step5

1. Place desk top upside down on sofa surface.

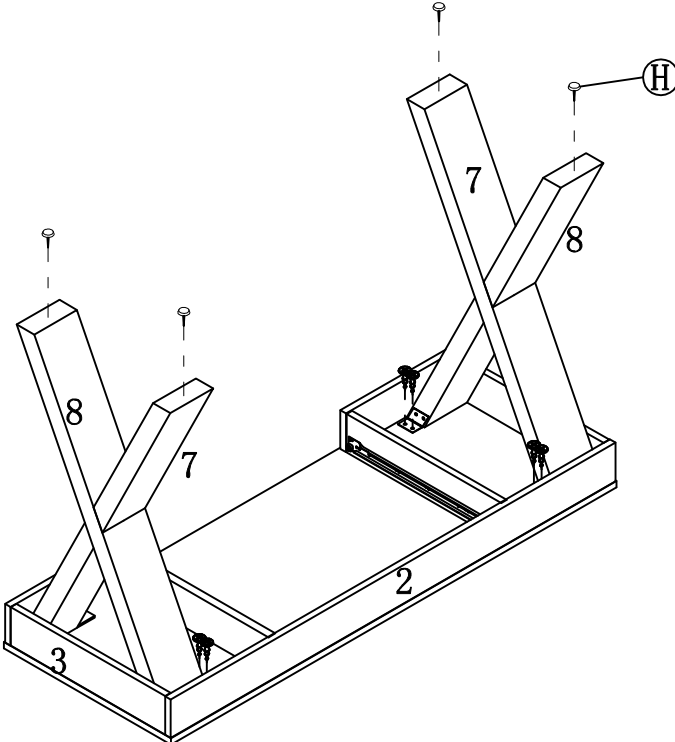
2. Insert dowels (C) into legs assemblies.

3. Fasten leg assemblies to desktop using philips head bolts (G).



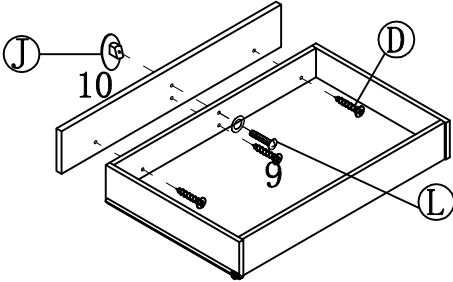
Step6

- 1. Screw brackets into desk top with short screws (8).
- 2. Gently hammer feet (H) into legs.



Step7

- 1. Attach handle (J) to drawer front (10) using handle screw (L).
- 2. Fasten drawer front (10) into drawer assembly (9) using long screws (D).



Step8

- 1. Carefully insert drawer assembly into desk.
- 2. Enjoy your new desk.

