
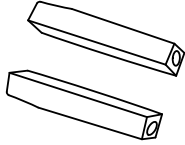
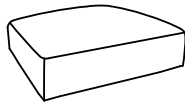
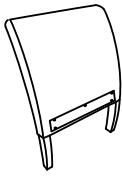



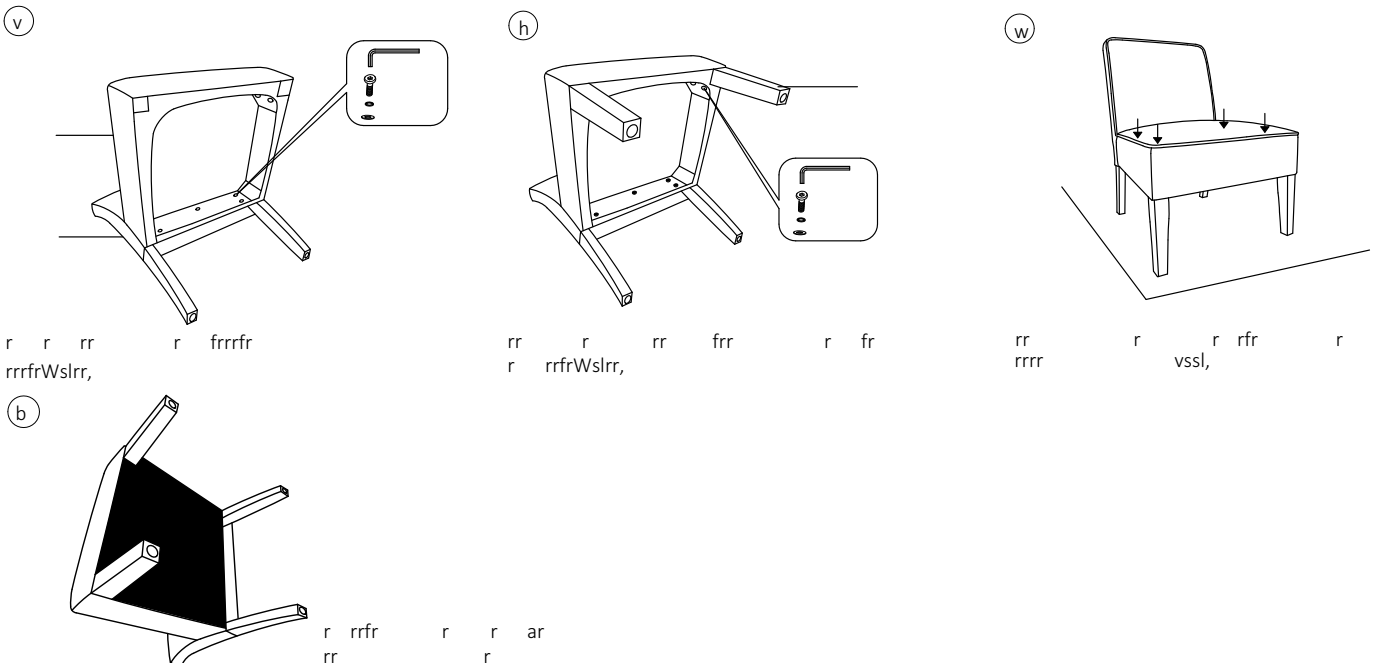


<p>W</p>  <p>B..</p>	<p>h</p> 	<p>v</p> 	<p>v</p> 
	<p>v</p>  <p>B</p> <p>r</p>	<p>W</p>  <p>r</p>	<p>W</p>  <p>r</p>

Step 1: Insert the chair back (1) to the chair base (2).



Please Note: When moving the chair please make sure to hold the side and bottom. Be careful not to grip any fragile spots where they may easily be damaged

Additional Information:

- For complete product information, images and dimension diagrams please visit the website www.birlea.com
- If you have any issues with your item please contact the retailer directly you purchased it from who will be able to resolve any issues with Birlea.
- Why don't you send us photos of your assembled furniture to info@birlea.com to be shared in our #birleahome feature on Instagram.