

Thank you for Choosing this furniture.

**BEFORE YOU START ASSEMBLY** please store the carton at room temperature for 48 hours or more so the contents can acclimatise.

**PLEASE RETAIN ALL PACKING UNTIL YOU HAVE COMPLETED ASSEMBLY.**

**Information about your Pine furniture.**

Our pine furniture ranges have been carefully crafted from solid wood and natural wood veneers. Each piece of pine has unique characteristics such as knots, variances in shading and graining. These are part of the natural character of the furniture itself.

**Caring for your Pine furniture.**

Extreme temperature can cause slight movements in the wood itself so please avoid placing your furniture close to radiators or other direct sources of heat. Humidity should also be avoided.

Please avoid exposing your furniture to continued bright sunlight as it can affect the colour.

Any fluid spills should be removed as quickly as possible.

Always lift your furniture when moving as dragging may cause damage to your furniture or flooring.

**After care.**

Wipe the surfaces with a dry cloth and an occasional use of a normal household furniture polish. We also recommend you use household spray polish occasionally on the drawer grooves and runners as this will aid use. Please do not use detergents or chemicals on your furniture.

<b>A</b> X24 30mm Ø8	<b>B</b> X21 30mm Ø4	<b>C</b> X04 30mm Ø3,5
<b>D</b> X04 45mm Ø4	<b>E</b> X24 16mm Ø3,0	<b>F</b> X03 16mm Ø3,0
<b>G</b> X04	<b>H</b> X08 M4x16	<b>I</b> X02
<b>J</b> X02 Right	<b>K</b> X02 Left	<b>L</b> X01
<b>M</b> X26 8x8		

**Before you start assembly.**

Please check that you have all the correct parts and fittings as detailed above.

In the unlikely event of a part being damaged or missing please mark the component or part on the diagrams above and.

Please provide the following information so that your request can be sent direct to you.

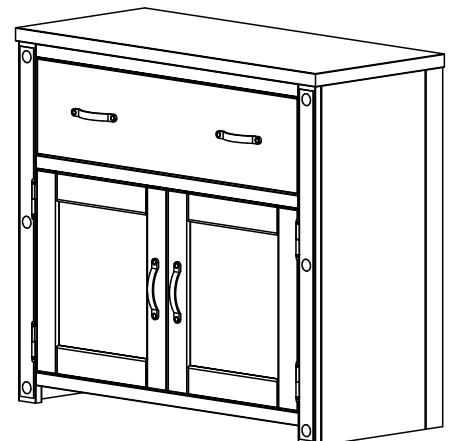
Name;

Address;

Postcode; Telephone number;

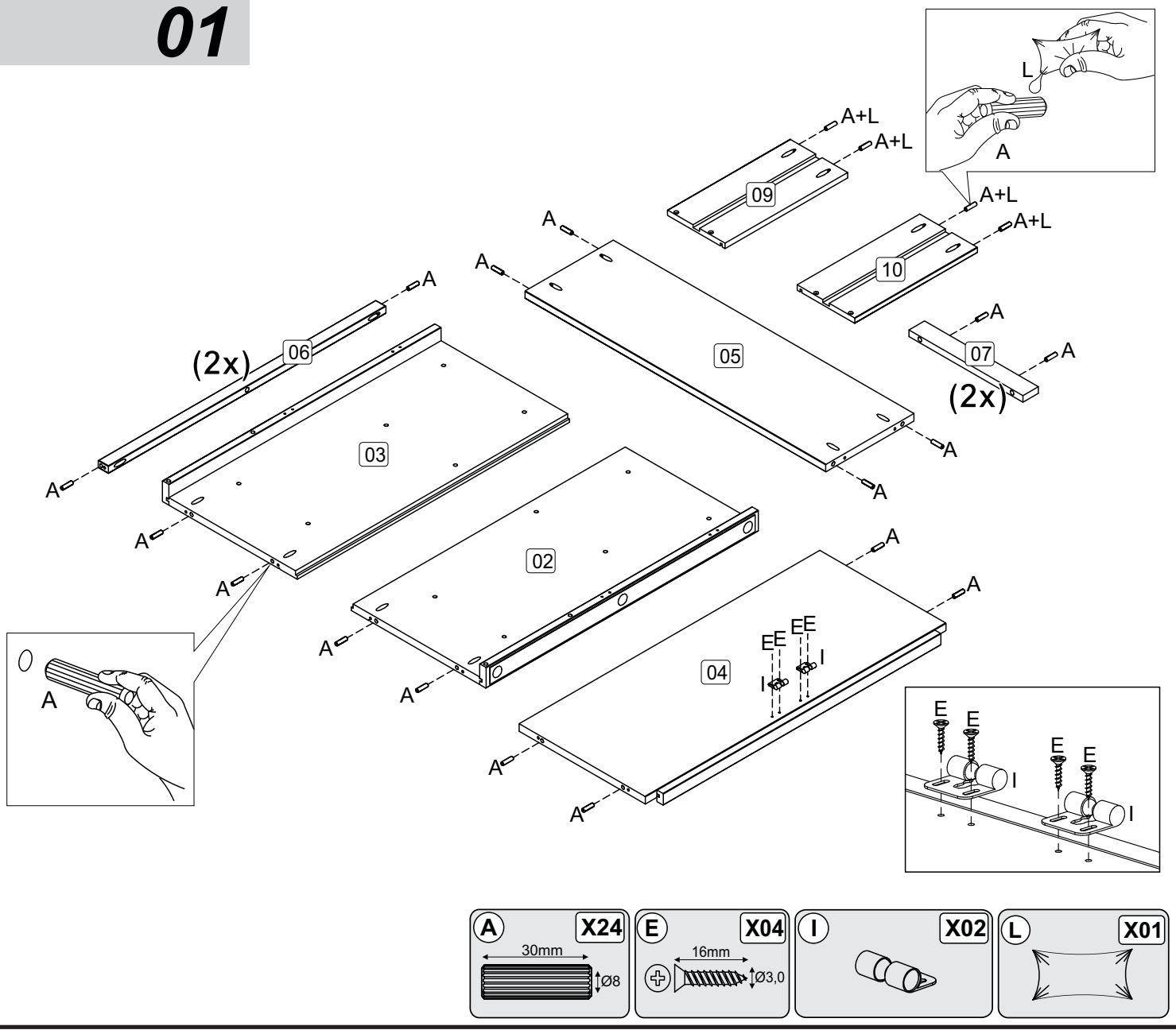
Batch number

Name and town of your retailer

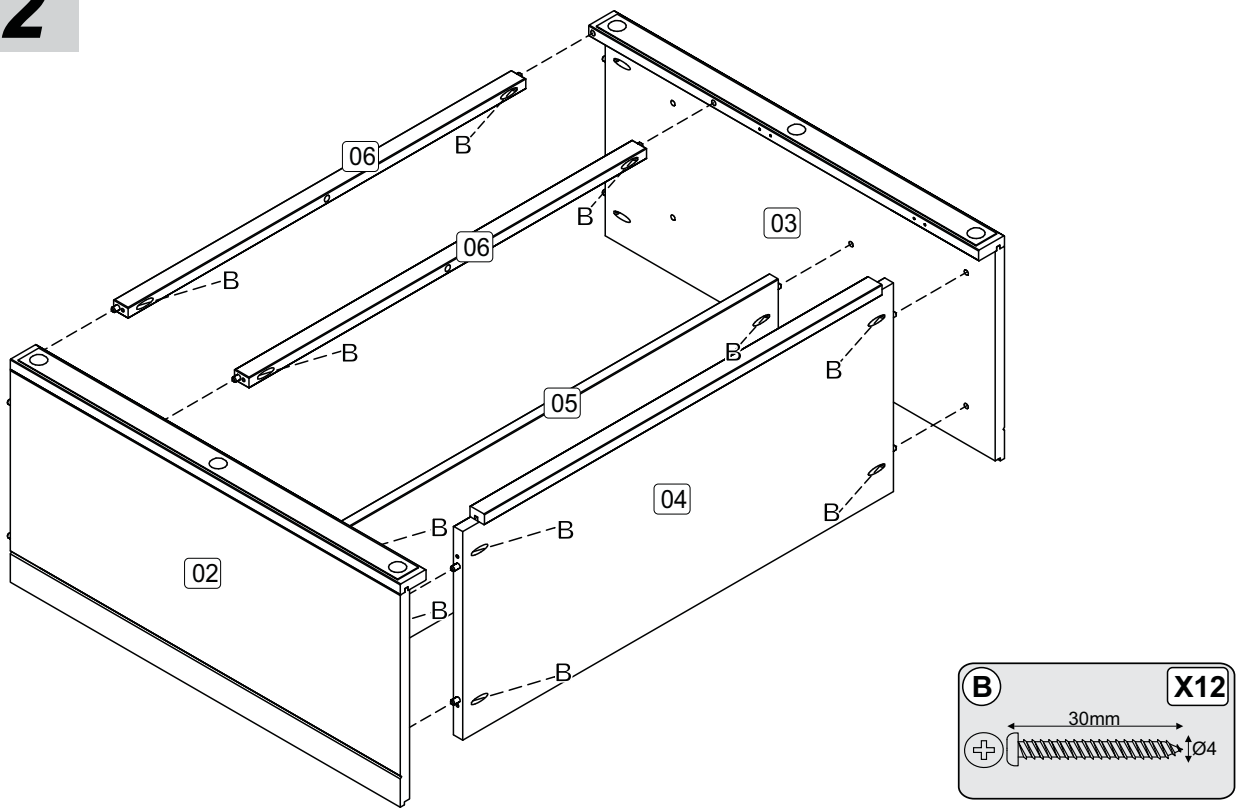


**PLEASE RETAIN THIS INSTRUCTION LEAFLET FOR FUTURE REFERENCE.**

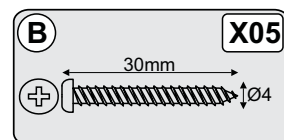
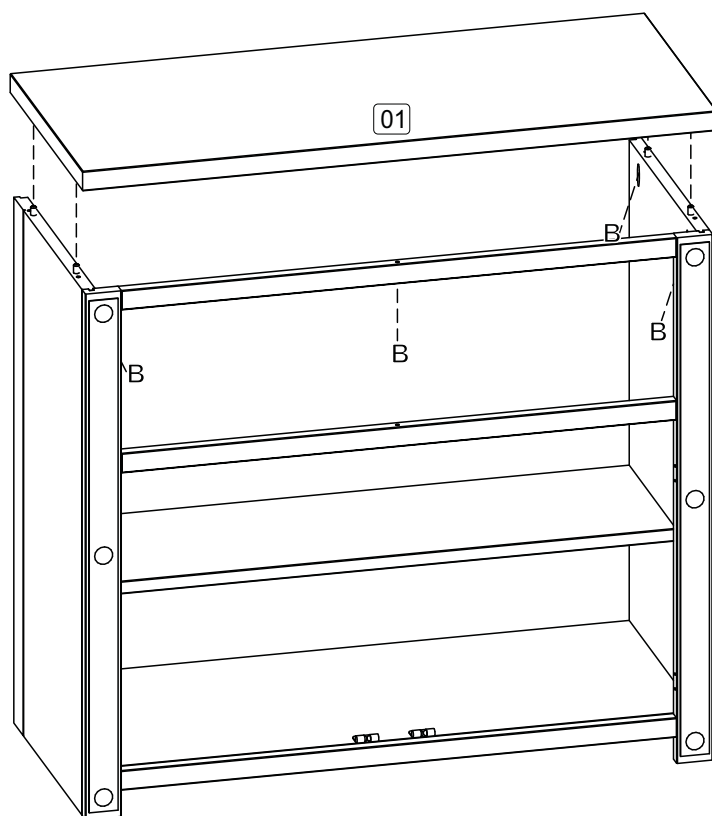
# 01



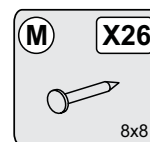
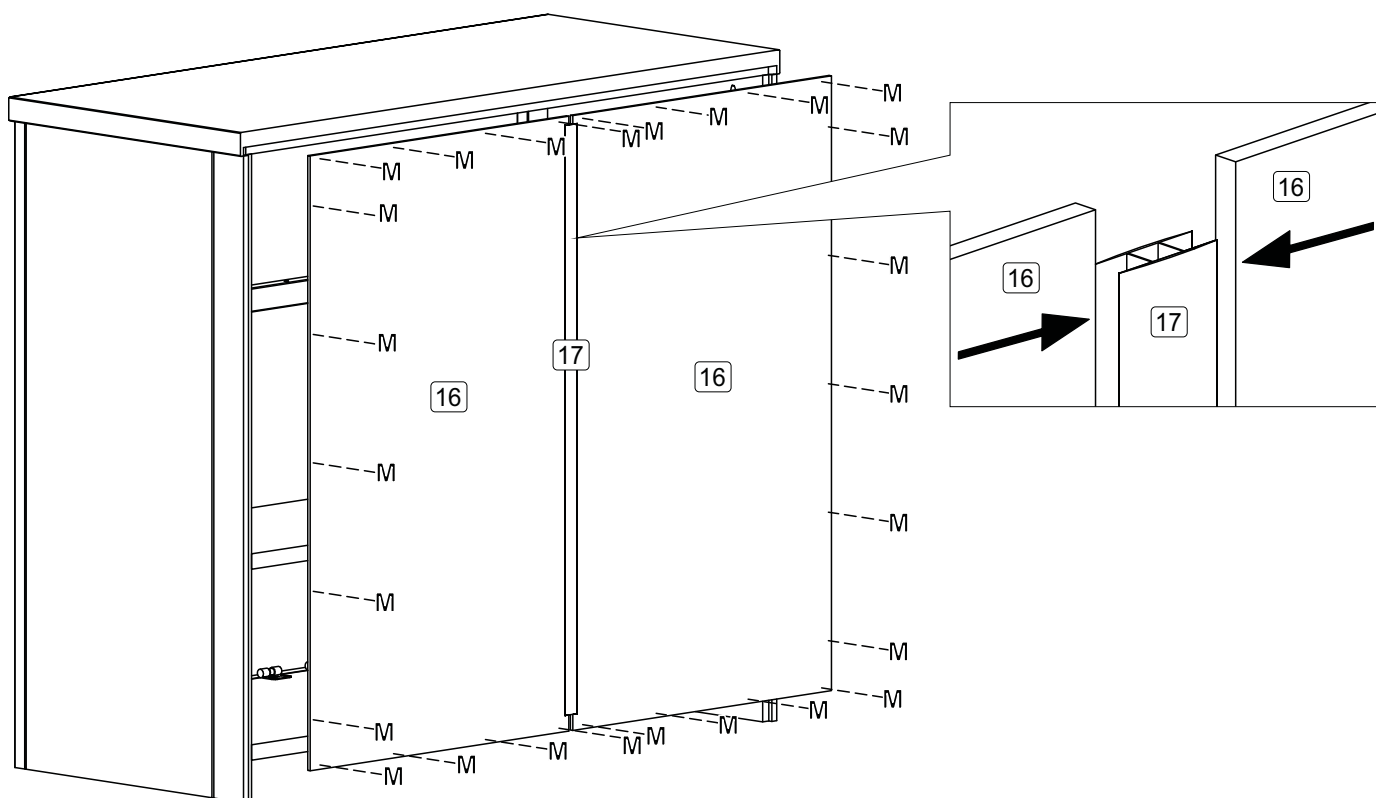
# 02



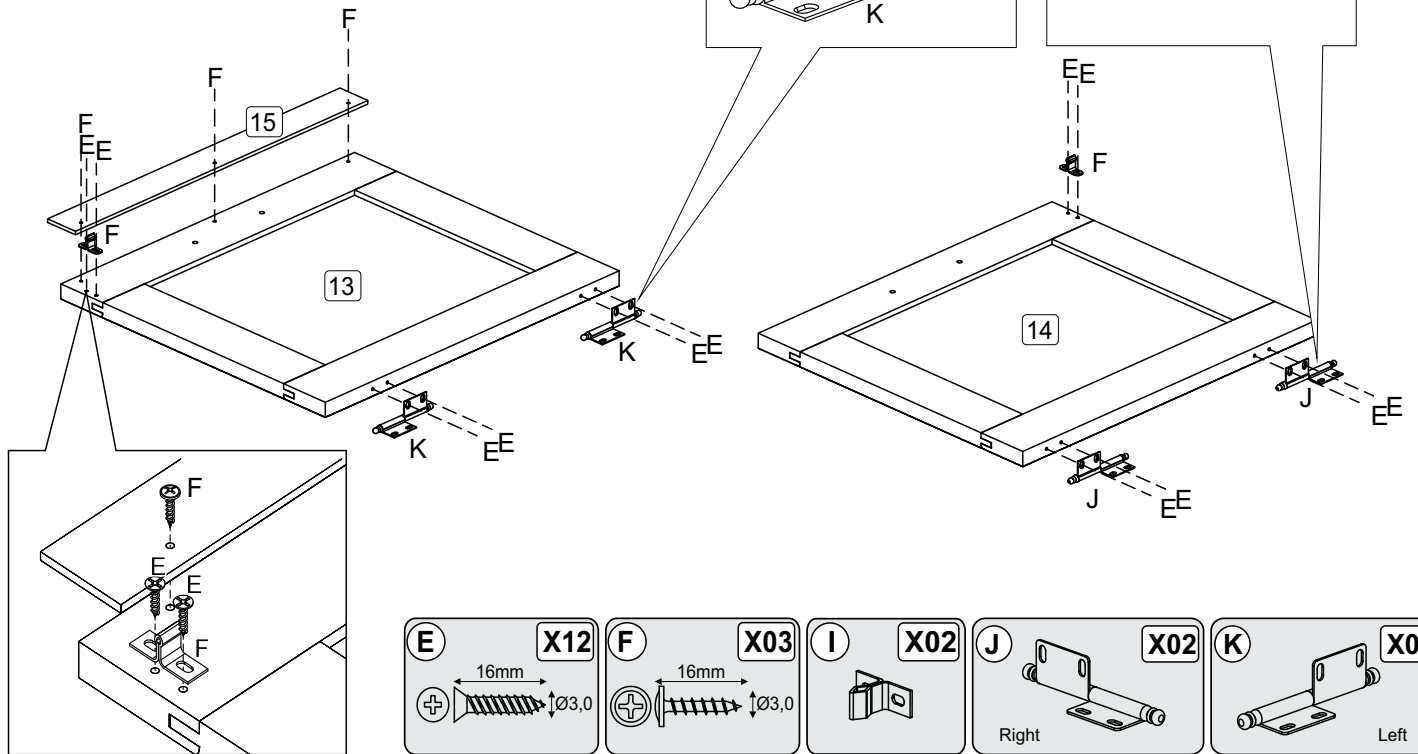
03



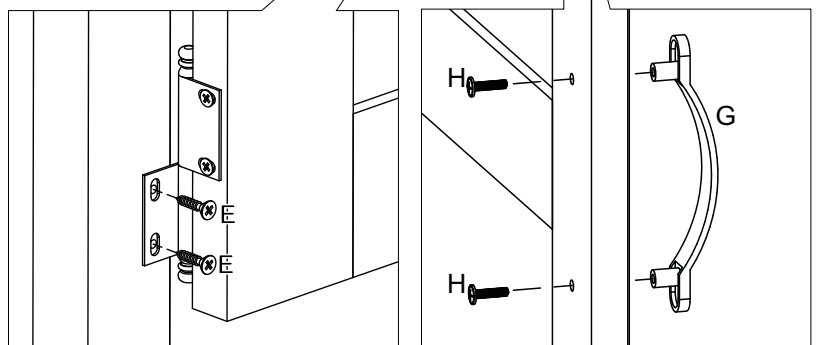
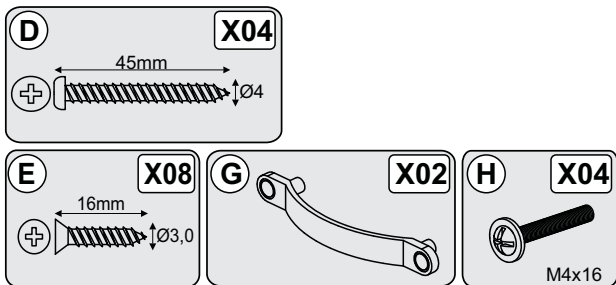
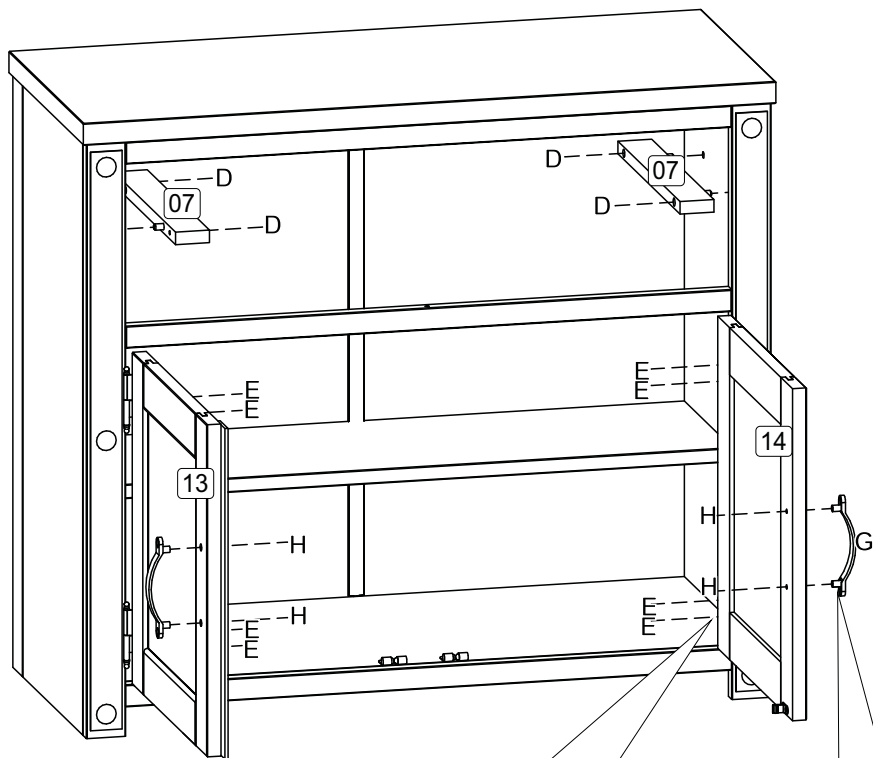
04



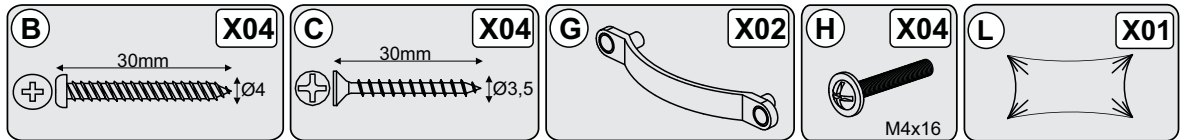
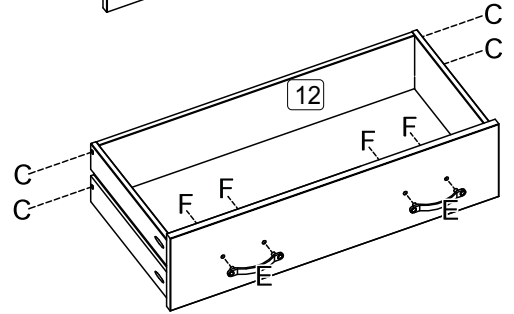
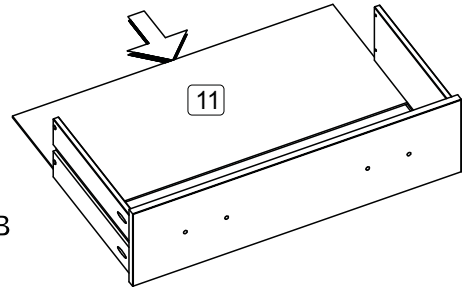
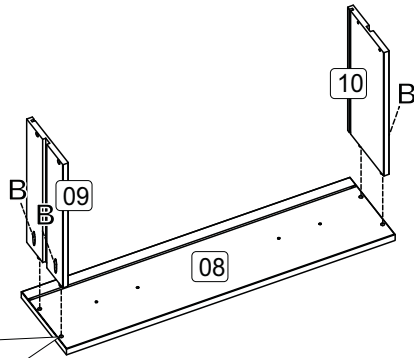
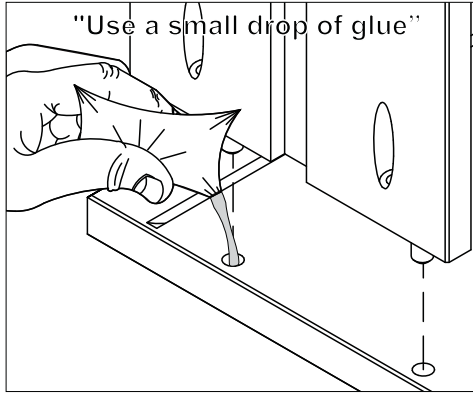
# 05



# 06



# 07



# 08

