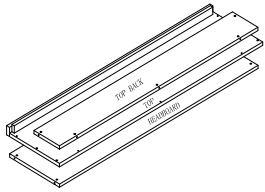


D993 MURPHY BED PACKING LIST

BOX 1 D993F(-)H: HORIZ PANELS

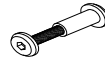
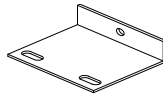


In Box 1 you will find 3 panel parts: The Crown top, the top back panel, and the center back panel
 You will have also found this set of instruction documents/
 and the Bubble pack #1-which has all the hardware you'll need for step 1 of the instructions.

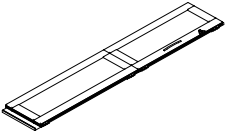
2 spacing brackets 2 sets
 male-female connectors

BUBBLE PACK 1#

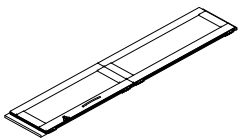
HANDLES AND SCREWS



BOX 2A D993F(-)L: LT DOORS & SIDE PANEL

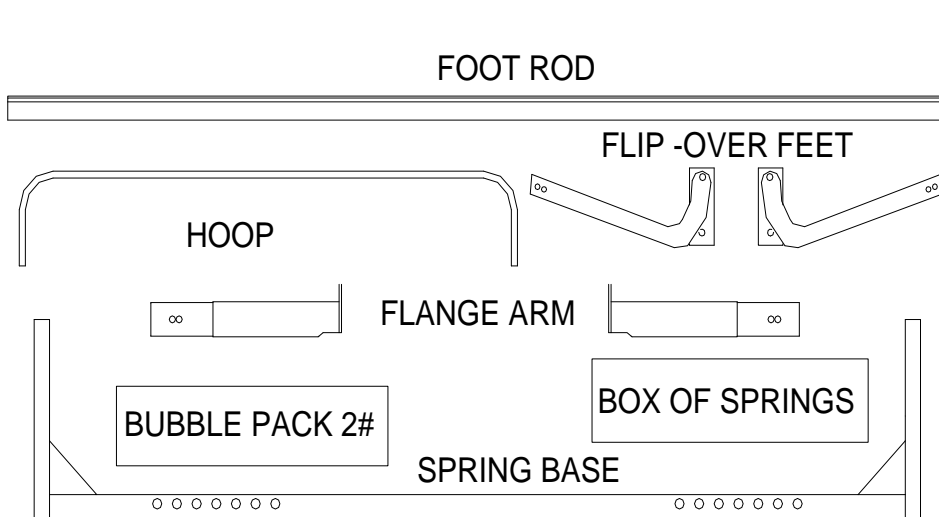


BOX 2B D993F(-)R: RT. DOORS & SIDE PANEL

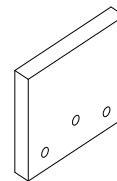


Open these 3 boxes for
STEP 1
 of the instructions.

BOX 3 103-B : SPRING BASE

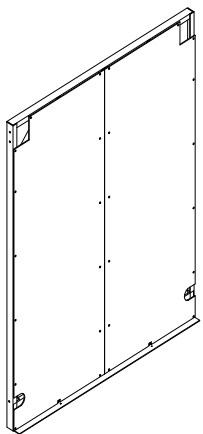


2 flange spacer blocks



Open this box for
STEP 2
 of the instructions.







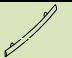


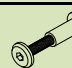
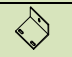
BOX 4 993-TDK : BED TRAY






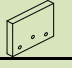
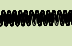


BUBBLE PACK 3#







Open this box for
STEP 3
 of the instructions.

D993 SIMPLE MURPHY HARDWARE LIST

D993 MURPHYBED HARDWARE LIST					instruction step where this item is first used	bubble pack #	these parts are in box#
POSITION	ITEM	PICTURE	SIZE	QNT			
ITEMS SHIPPED IN D993F()-H -- HORIZONTAL PANELS BOX							
instructions					1		
TOOL	ALLEN WRENCH		4#	1	3A	bubble pack #1	BOX #1 D993F()- H
	ALLEN WRENCH		5#	1	1A		
	ALLEN HEAD FOR POWER DRILL		4#	1	3A		
	ALLEN HEAD FOR POWER DRILL		5#	1	1A		
ASSEMBLE BED WOOD CASE	BOLT		Φ5/16"x1.77"	11	1A		
	BARREL		1/2"x3/5"	11			
HANDLE	2 BLACK+2 NICKEL			4	3E	separate pack	
	HANDLE SCREW		1"	4			
WOOD PLUG			Φ2/5"	2	3E		
ATTACH SPACING BRACKET TO BEDCASE SIDE PANEL	MALE-FEMALE BOLT		Φ1/4X3/4"	2	2G	Separate pack	
SPACING BRACKET	SPACING BRACKET			2			

ITEMS SHIPPED IN 103-B BOX -- SPRING BASE BOX							
ATTACHING BASE ARM	WING BOLT		M6x5/8"	4	2D	bubble pack #2	103-B
ATTACH THE SPRING BASE FLANGES TO THE FOOTER STUD	COARSE-THREAD SCREW		#10 2.75"	6	2F		
STABILIZE BED CASE TOP TO WALL STUD	BRACKET		1.5X.5"	2	3D		
	SCREWS TO TOP OF BED CASE		3/4"	2			
	COARSE-THREAD SCREWS TO STUD		#10 2.75"	2			
FLANGE SPACER BLOCK	SPACER BLOCK			2	2C - option	Separate pack	
SPRING				14	3C	Separate pack	

ITEMS SHIPPED IN 993-TDK --METAL TRAY WITH DECK BOX

INSTALL MATTRESS HOOP	WING HEAD BOLT		M6x4/5"	2	3A	BUBBLE PACK #3	993-TDK
ATTACHING FLIP FOOT	BOLT		M8x9/5"	4	3A		
	LOCKING WASHER		M8	4			
	WING NUT		M8	4			
ATTACH FOOT ROD TO FEET	BOLT		Φ1/4" x 2/5"	2	3A		
	BOLT		Φ1/4" x 3/5"	2			



Wallbed
GALLERY
SOURCE Furniture
Design * Quality * Value

D993 Simply Murphy Bed Assembly Instructions

1

Congratulations and a Big Thank You for your purchase of a Wallbed Gallery Murphy Bed!

We sincerely appreciate your business!

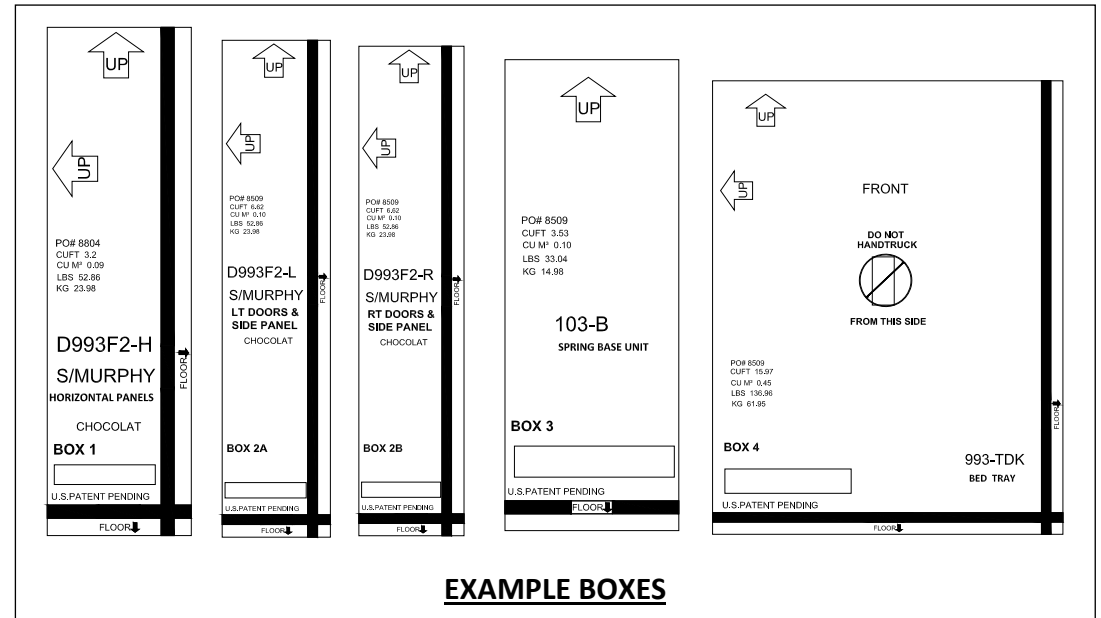
First – a few words of advice and caution:

1. Please do this job with two people. Attempting to do it alone, though heroic, could lead to product damage or injury because some things can be too heavy for just one person to safely handle. With two people, the job will be much smoother and safer.
2. Please read and follow the instructions carefully, as it will save time and avoid possible incorrect installation of the product.
3. Please do not over-tighten screws and bolts, as it may lead to “stripping” the threads and make the connection weak. The best rule of thumb is “snug is good”.
4. If you will be installing your Murphy Bed on a hard surface such as stone, hardwood floor, tile, (not carpet), please lay down sufficient padding (such as blankets, comforters, etc.) to protect the wood parts of your wallbed from the floor, and vice-versa.
5. **Before you begin your installation, PLEASE take a few minutes to WATCH our helpful assembly VIDEO which is available for viewing online at www.wallbedgallery.com/video**

PREPARATION FOR ASSEMBLY:

Please locate and confirm that you have the following 5 boxes.

SIMPLY MURPHY BED – BOX LIST – Queen Size		
BOX #	SKU#	DESCRIPTION
1	D993F()-H	Horizontal Panels
2A	D993F()-L	Left Side Door Set
2B	D993F()-R	Right Side Door Set
3	103-B	Spring Base
4	993-TDK	Tray

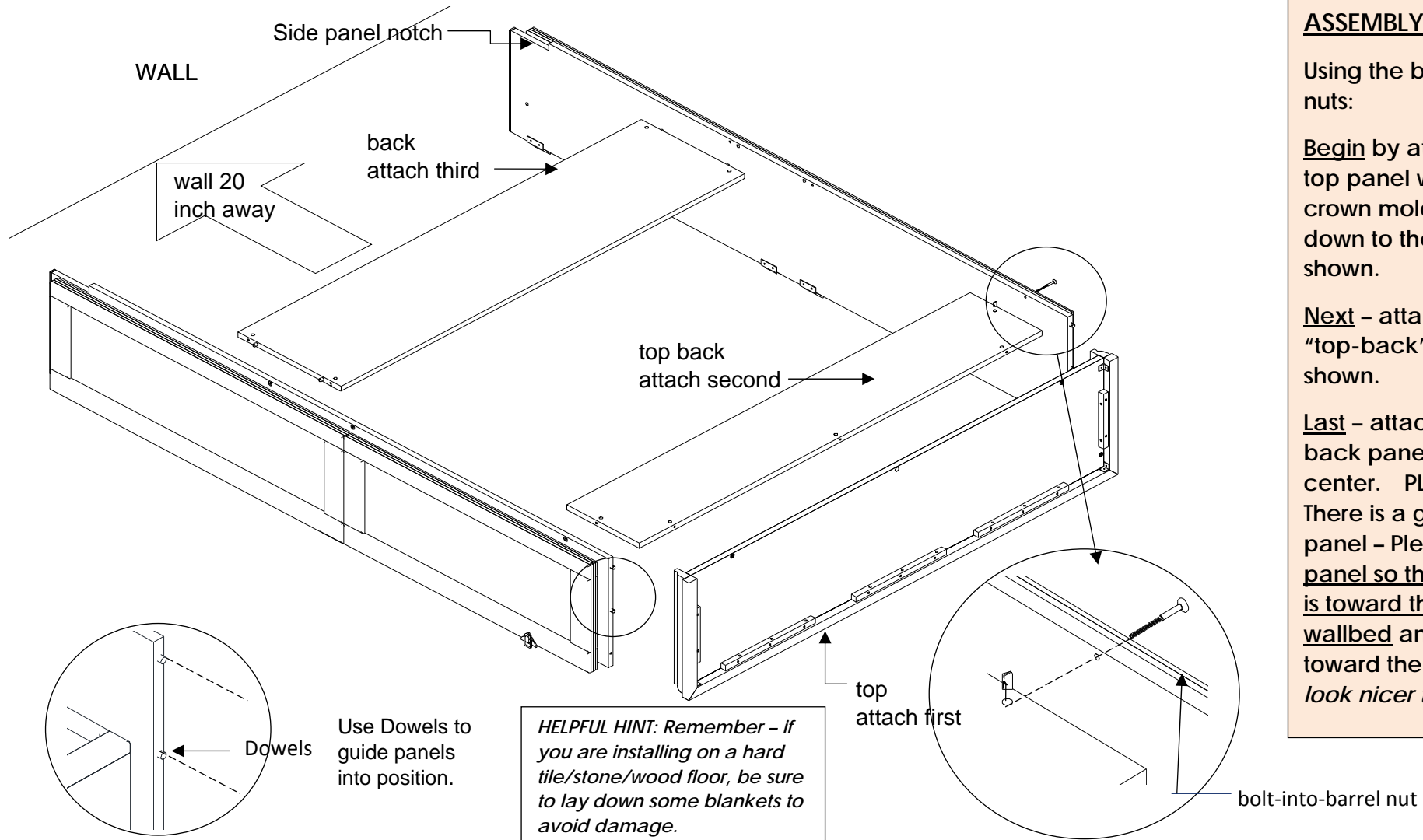


- A. Please locate the “Hardware Parts List” included with these instructions.
- B. Please carefully open and un-pack box #1.
 - a. Inside you will find 3 horizontal panel parts, and also Bubble Pack #1 – which has tools and connectors.
 - b. Please carefully sift through the debris field of each carton you open to make sure no hardware parts came loose in shipping.
- C. TOOLS YOU NEED TO SUPPLY:
 - a. A power drill gun with a #2 Phillips-head drive is required.
 - b. A flat-head screw driver is required.
 - c. A pair of pliers will be very helpful.
- D. Please be aware that further hardware parts will appear in other boxes as the Assembly Project progresses.

STEP 1: SETTING UP THE BED CASE

FROM BUBBLE PACK #1, FOUND IN BOX #1, Please use the 11 bolts and barrel nuts, along with the #5 Allen Wrench and/or #5 Allen Head for Power Drill (*the larger ones*) to assemble the Bed Case as shown below.

1A – Lay out the parts from boxes 1, 2A & 2B as shown, with the doors folded against the side panels. **YOU ARE BUILDING THE BED CASE FACE-DOWN.** The notches in the back of the side panels must be toward the wall where the bed will go, and 20 inches away from the wall.



ASSEMBLY SEQUENCE

Using the bolts & barrel nuts:

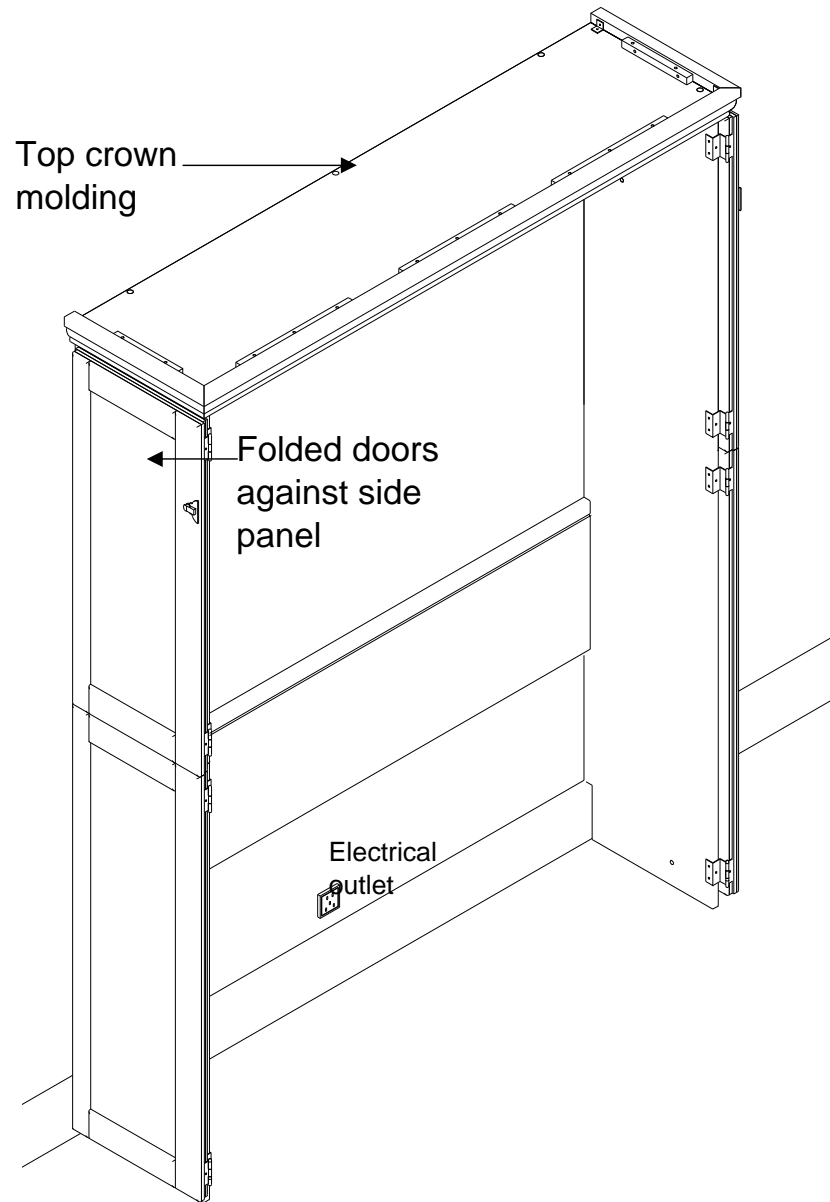
Begin by attaching the top panel with the top crown molding facing down to the floor as shown.

Next – attach the small “top-back” panel as shown.

Last – attach the larger back panel in the center. **PLEASE NOTE:** There is a groove in this panel – Please orient this panel so that the groove is toward the top of the wallbed and NOT toward the wall. (*It will look nicer that way.*)

1B - Stand the assembled Bed Case up and move to the desired position against the wall.

4



OPERATION SEQUENCE

(Before you do this - check AGAIN that there is at least 20 inches from the wall to the side panels.)

Begin with TWO PEOPLE standing at the top corners of the bed case.

Next - Each person grasps the top crown molding with one hand, and steadies the folded doors against the side panel with the other.

Next - LIFTING WITH YOUR LEGS - *NOT YOUR BACK* - stand the bed case up.

Next - Grasping the side panel and doors at each side, carefully lift and adjust the bed case back to the wall.

Last - Measure space on either side for Bookcases (if purchased). Stand back and assure that you like how the wallbed looks there. Gently lift and make adjustments as needed.

BE SURE - *Take your time, because you're not going to want to move it again once it is fully installed.*

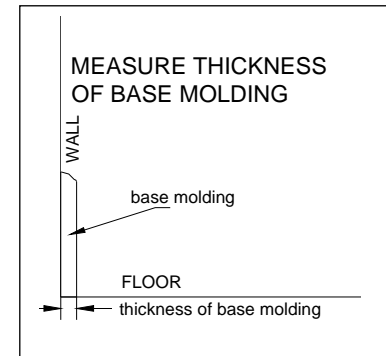
STEP 2: SETTING UP AND INSTALLING THE SPRING BASE

The best results will be achieved by following these instructions carefully.

TOOLS YOU WILL NEED TO SUPPLY:

1. A power drill gun with a #2 Phillips head,
2. A tape measure or ruler.

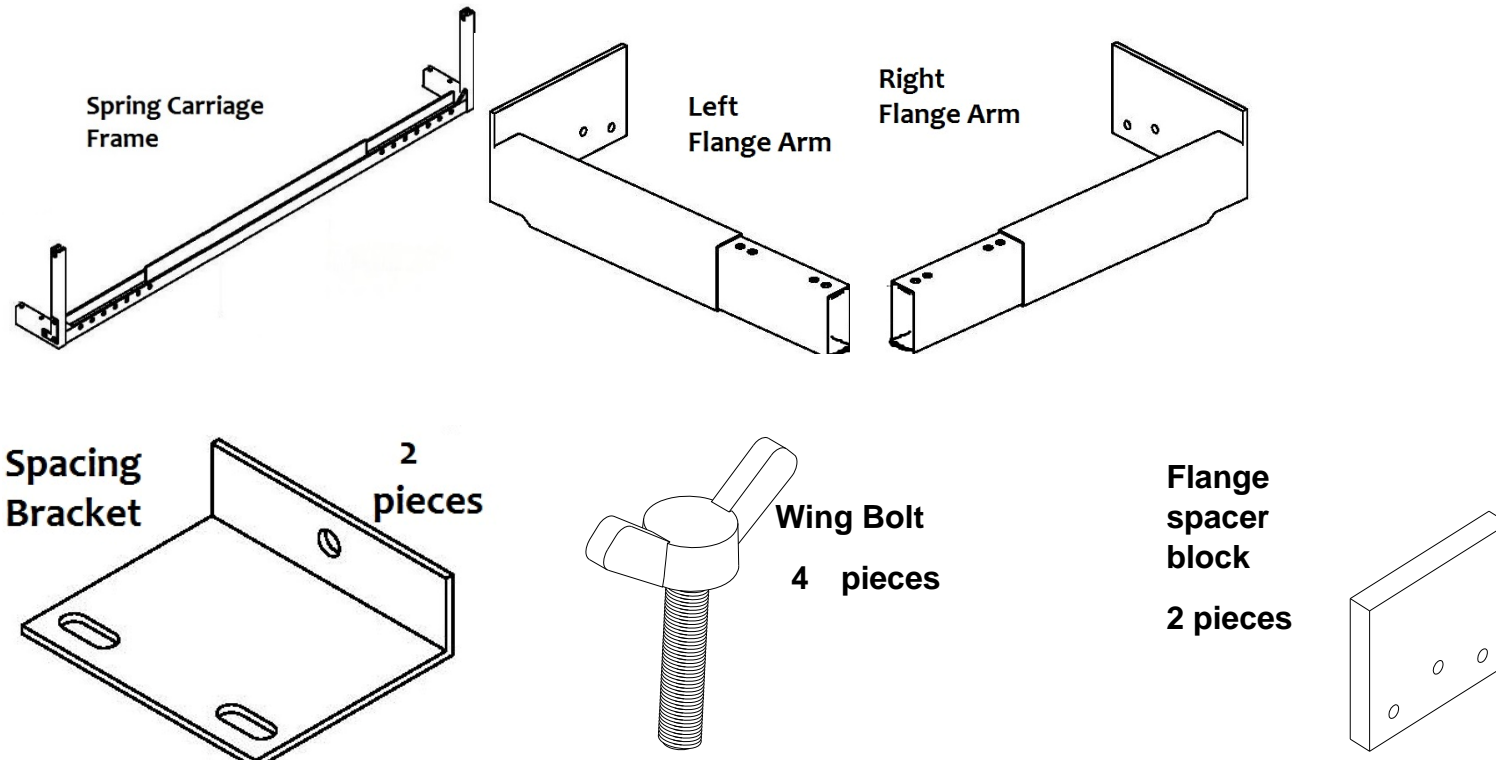
STEP 2A – Please measure the thickness of your base molding as shown on the figure here:



5

Please write this English Fraction or Millimeter measurement here _____, we will use this number in a few minutes.

STEP 2B - In box #1 and # 3, please collect the spring carriage frame, the left and right flange arms, the two spacer-brackets, (and if you have no baseboard, you will also need the two flange spacer blocks.) From bubble pack #2, please take out the 4 wing bolts.



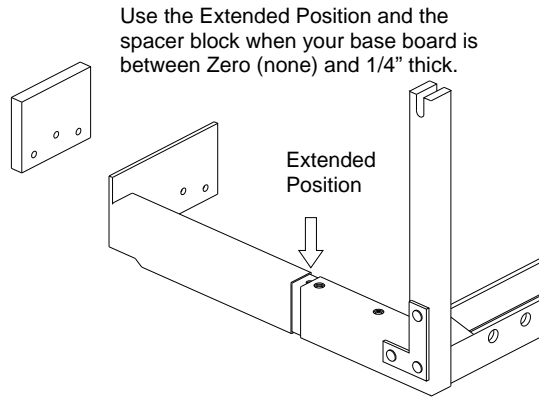
Helpful Hint:

If you are installing on a hard floor – you may have a small half-inch round molding at the bottom of your baseboard. This smaller molding will have to be cut and removed where the left and right flanges will touch flush against the baseboard.

STEP 2C – You will notice that the left and right flange arms can be attached to the spring carriage in two positions – and this is where the base-board thickness measurement comes in:

OPTIONS:

1. If you have no base board or 1/4" baseboard – you will use the pre-drilled wood Flange Spacer Blocks – and you will use the "extended" position.



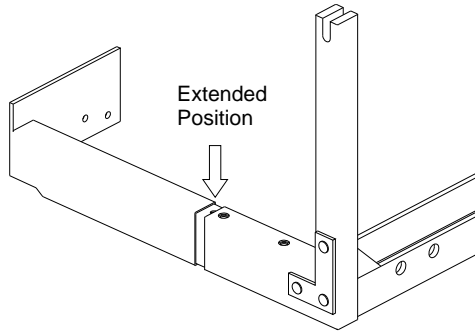
Use the Extended Position and the spacer block when your base board is between Zero (none) and 1/4" thick.

This is the correct Technique when you have:

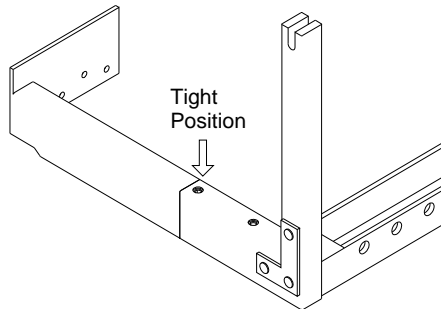
1. No baseboard
2. A thin plastic coped runner
3. A carpet toe-kick
4. A wooden baseboard less than 3/8" thick.

Helpful Hint:
DO NOT use the Wing bolts yet – this page is **ONLY** about figuring out the correct way to configure the Spring Base!

2. If your base board is 3/8" to 1/2 inch – you will use the "extended" position without the Flange Spacer Block.

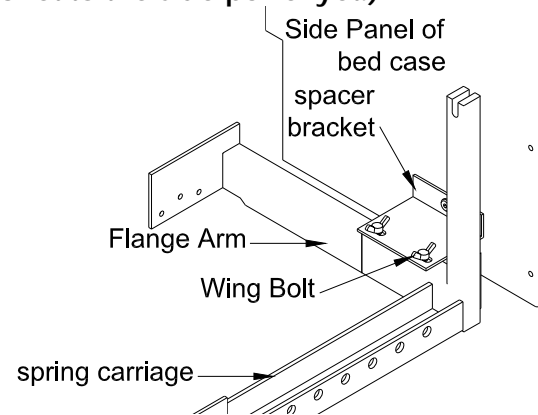
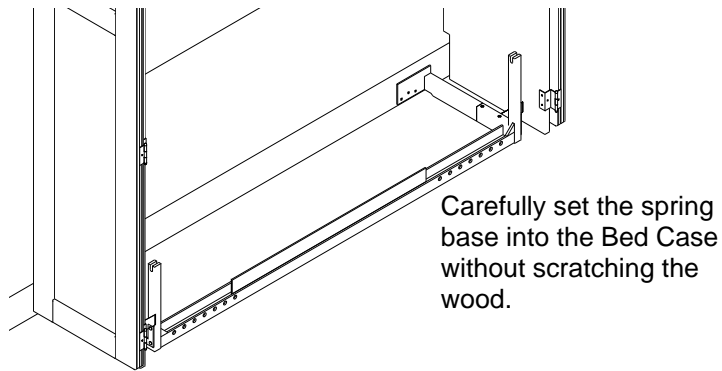


3. If your base board is more than 1/2 inch – you will use the "tight" position.



STEP 2D – Connect Flange arms and Spacer Brackets to the Spring Carriage Frame using the four Wing Bolts, and

Carefully place the Spring Carriage Frame into the bed case (don't scratch the wood), then use Wing Bolts to attach the spacer brackets on each side. (Do not attach the spacer bracket to the side panel yet!)



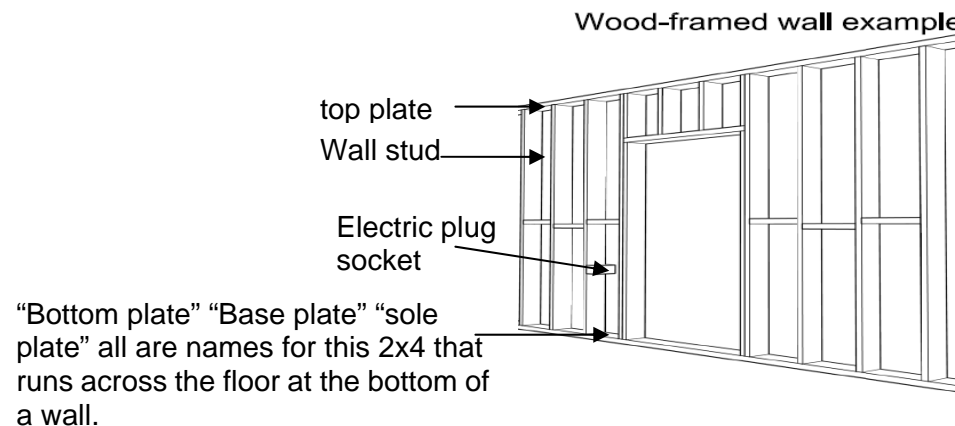
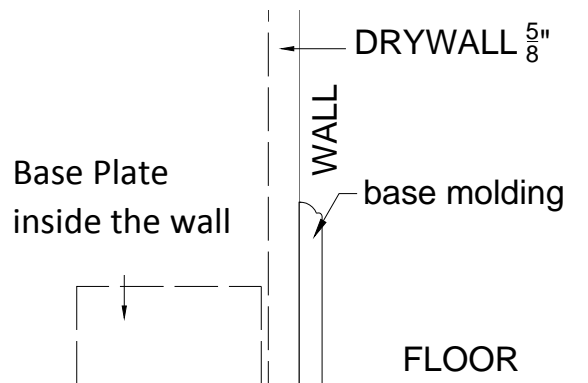
STEP 2E - Install the assembled Spring Base into the "Base Plate" at floor level inside your wall.

First – A word about the "Base Plate".

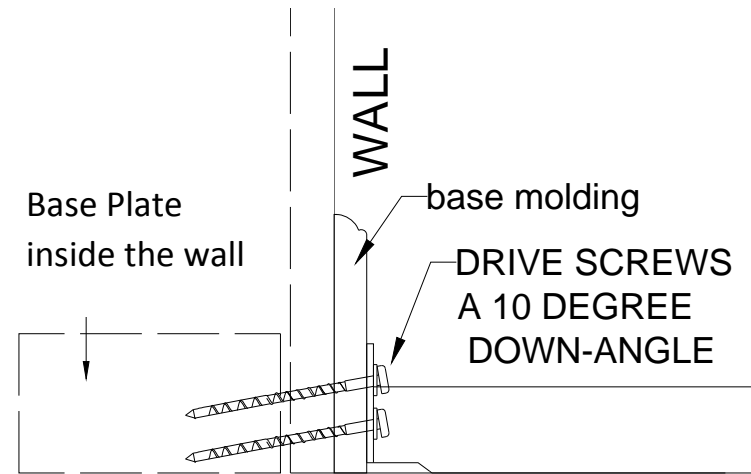
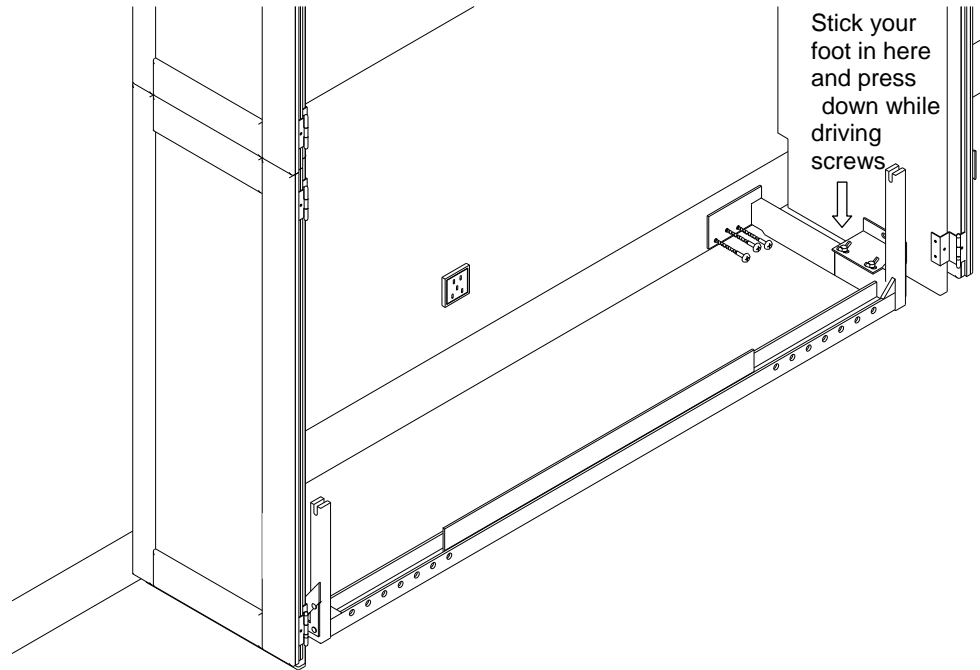
Most everybody knows what a "two-by-four" is; it's a piece of wood that is about 1.5" thick and 3.5" wide, and usually quite long unless cut. But, unless a person has worked in the construction trades, or seen homes under construction, one would not often know that there is a 2x4 lying flat on the floor inside your walls.

This is the "base plate" that is supporting all the vertical 2x4's that are behind the drywall or plaster in your walls. This base plate is nailed into the floor, and with all the vertical 2x4's on top of it – which end up carrying the weight of the roof – the base plate has the entire weight of the house resting on it.

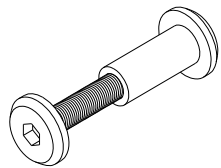
We are going to hang your wallbed on the base plate – which is a very, very stable and virtually immovable part of your house.



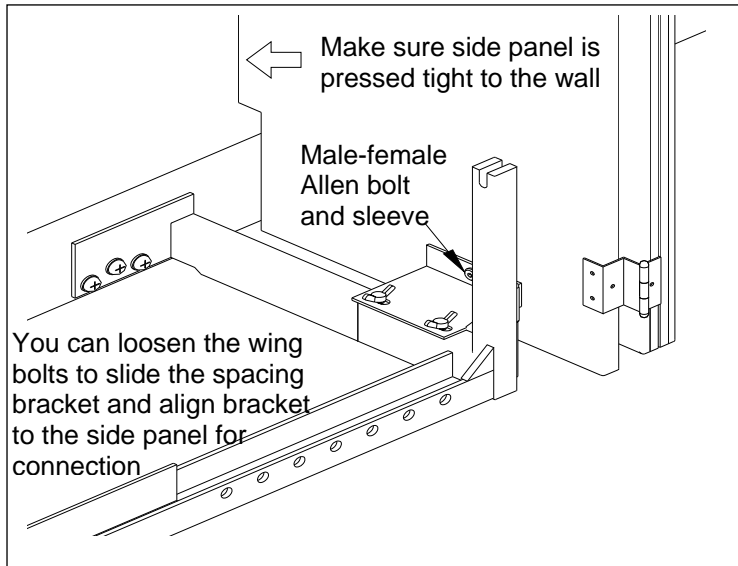
STEP 2F - Use the Anchor Screws in bubble pack #2 to connect Flange Arms to the Base Plate.



STEP 2G - Use 2 Male-Female Allen bolts and sleeves from box# 1 to connect the spacer bracket to the Bed Case Side



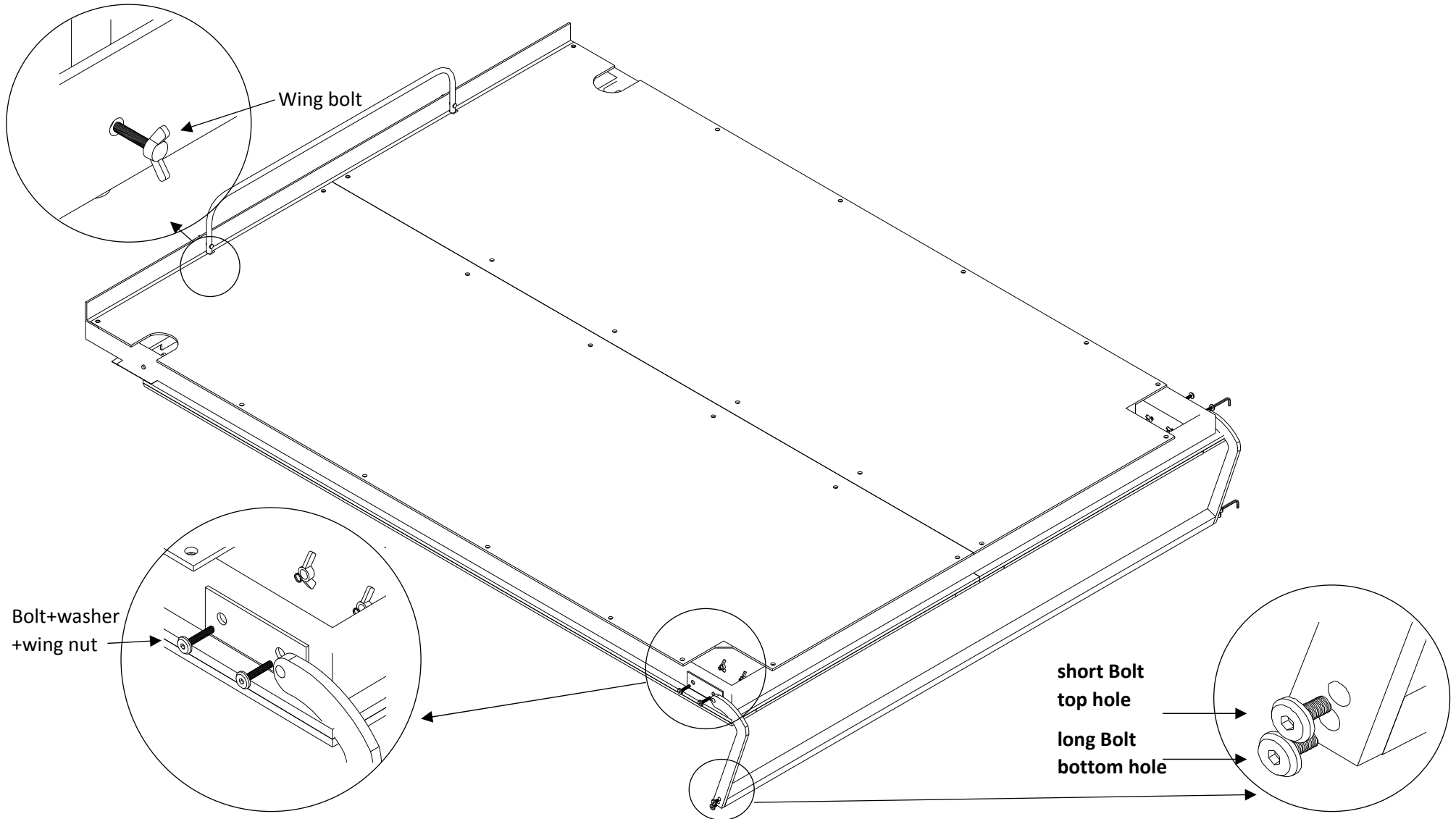
Allen Bolt & Sleeve



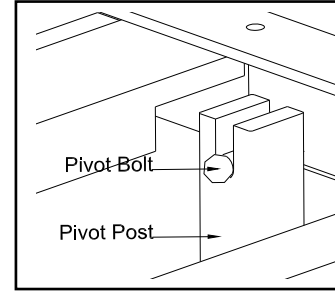
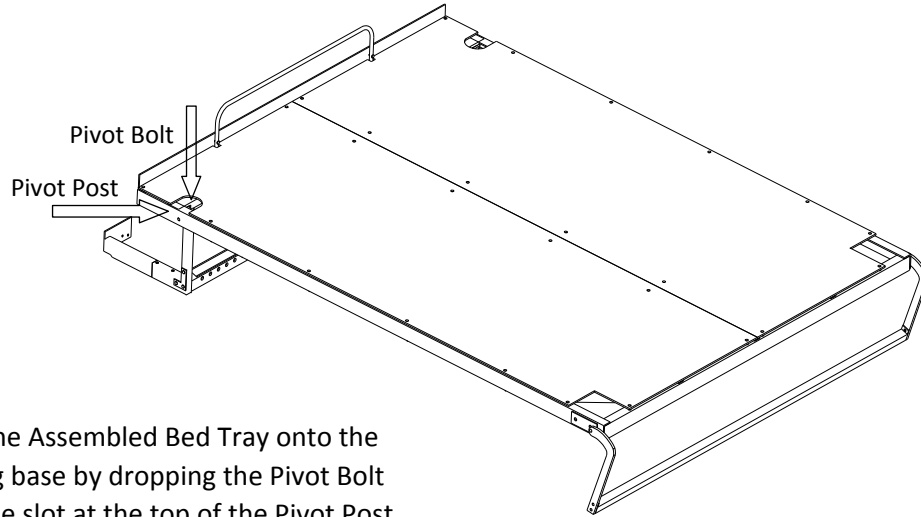
IF YOUR BASE MOLDING IS SOLID WOOD
 PLEASE USE A 1/8" DRILL BIT TO PRE-DRILL THROUGH THE BASE MOLDING ONLY (NOT BASE PLATE) TO REDUCE THE CHANCE OF SPLITTING YOUR BEAUTIFUL WOOD MOLDING

STEP 3 – Building the Bed Frame

STEP 3A – Attach the mattress hoop and flip-over feet from box 3 to the bed tray from box 4 as shown here, and connect them with the connection hardware in bubble pack #3, and using the wrench and #4 Allen tools from bubble pack #1.

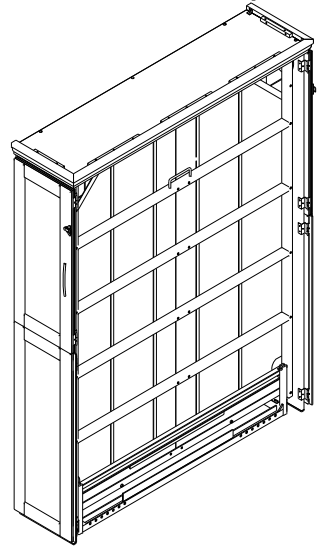


STEP 3B – Install the assembled bed frame onto the spring carriage frame, By dropping the pivot bolt into pivot post.



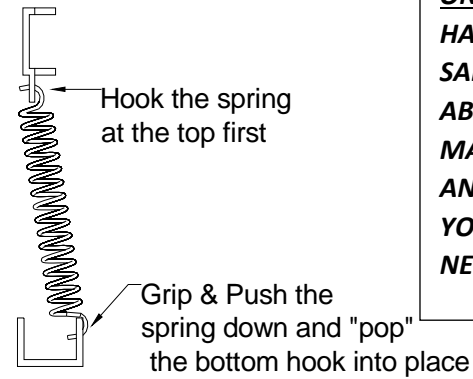
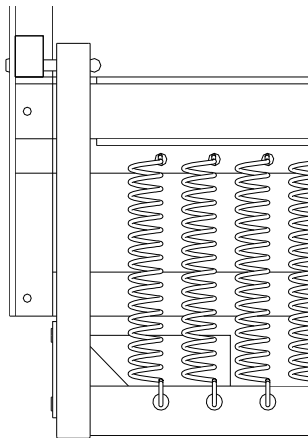
Set the Assembled Bed Tray onto the spring base by dropping the Pivot Bolt into the slot at the top of the Pivot Post

STEP 3C – PUT YOUR MATTRES ON THE DECK, then flip the foot bar up and over to hold the mattress, lift the bed tray into the bed case and let it settle naturally against the back. Install the springs from box 3. Start with 6 per side for Queen, and 4 per side for Twin-XL, using the outermost available connection points.



While one person holds the bed tray safely vertical, another person can install the springs

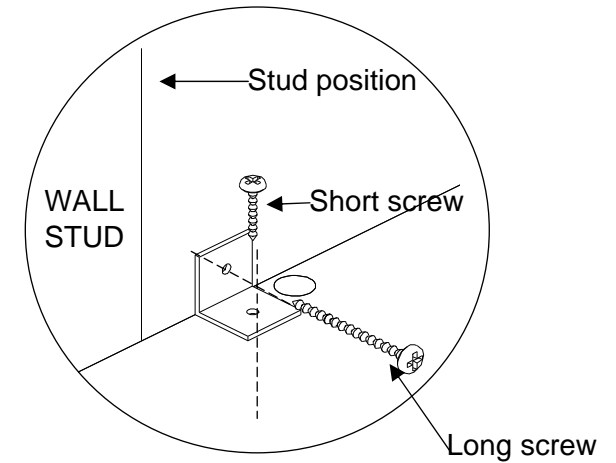
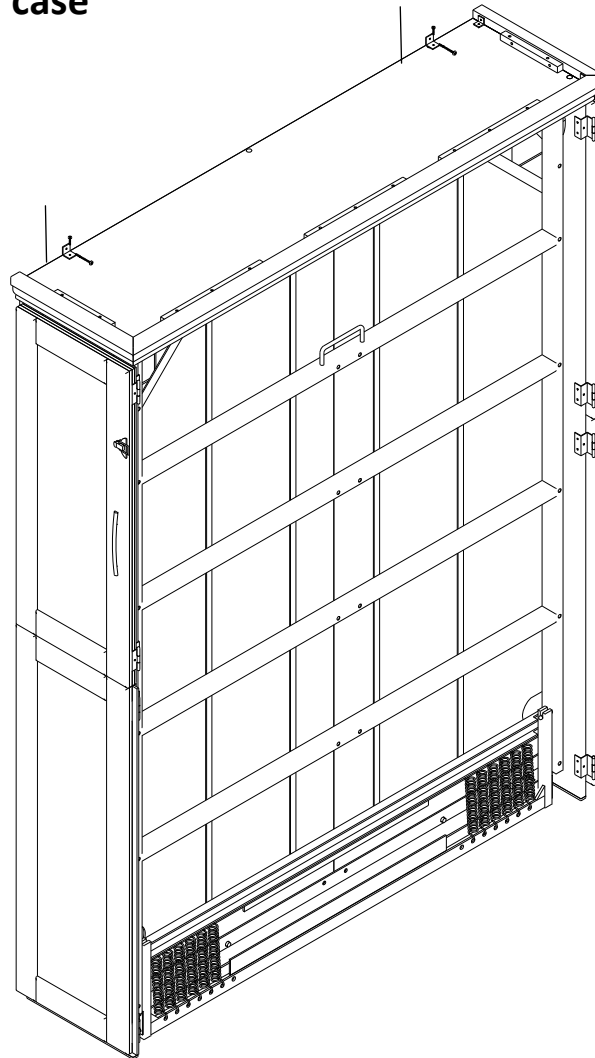
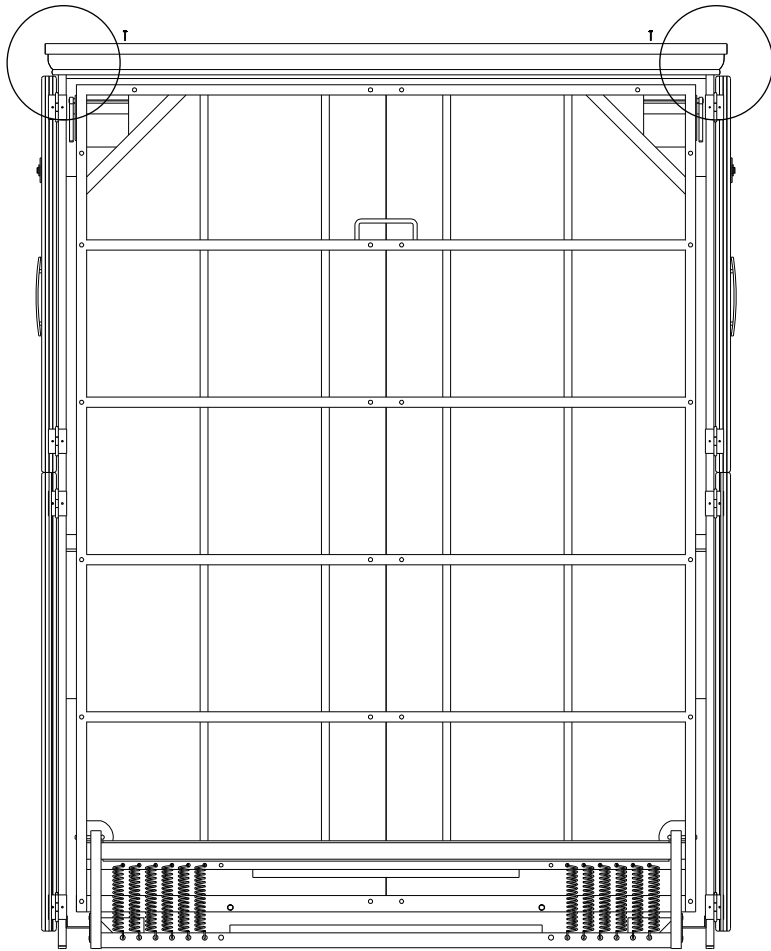
Install springs ONLY with your mattress on the bed tray.



PLEASE READ SAFETY WARNINGS #1 & #2 ON PAGE 13 – WHICH HAVE VERY IMPORTANT SAFETY INFORMATION ABOUT YOUR MATTRESS WEIGHT AND HOW TO MOVE YOUR MATTRESS WHEN NEEDED.

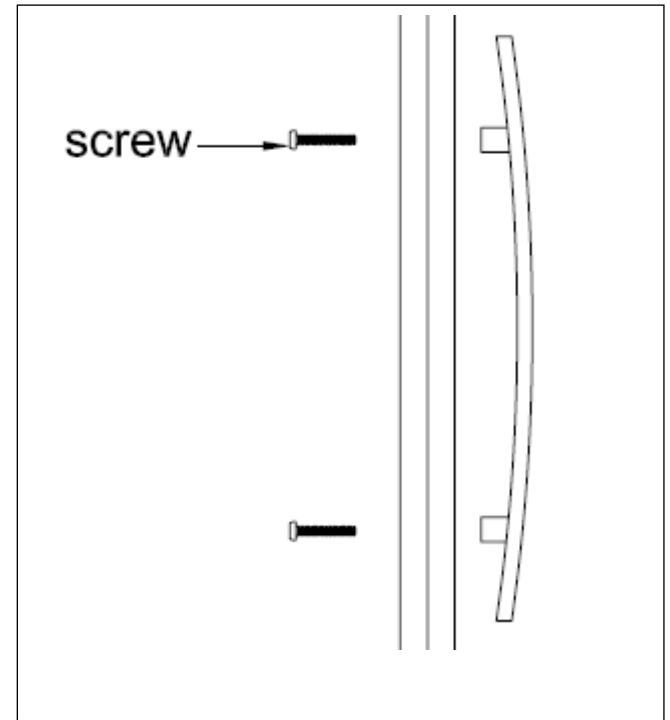
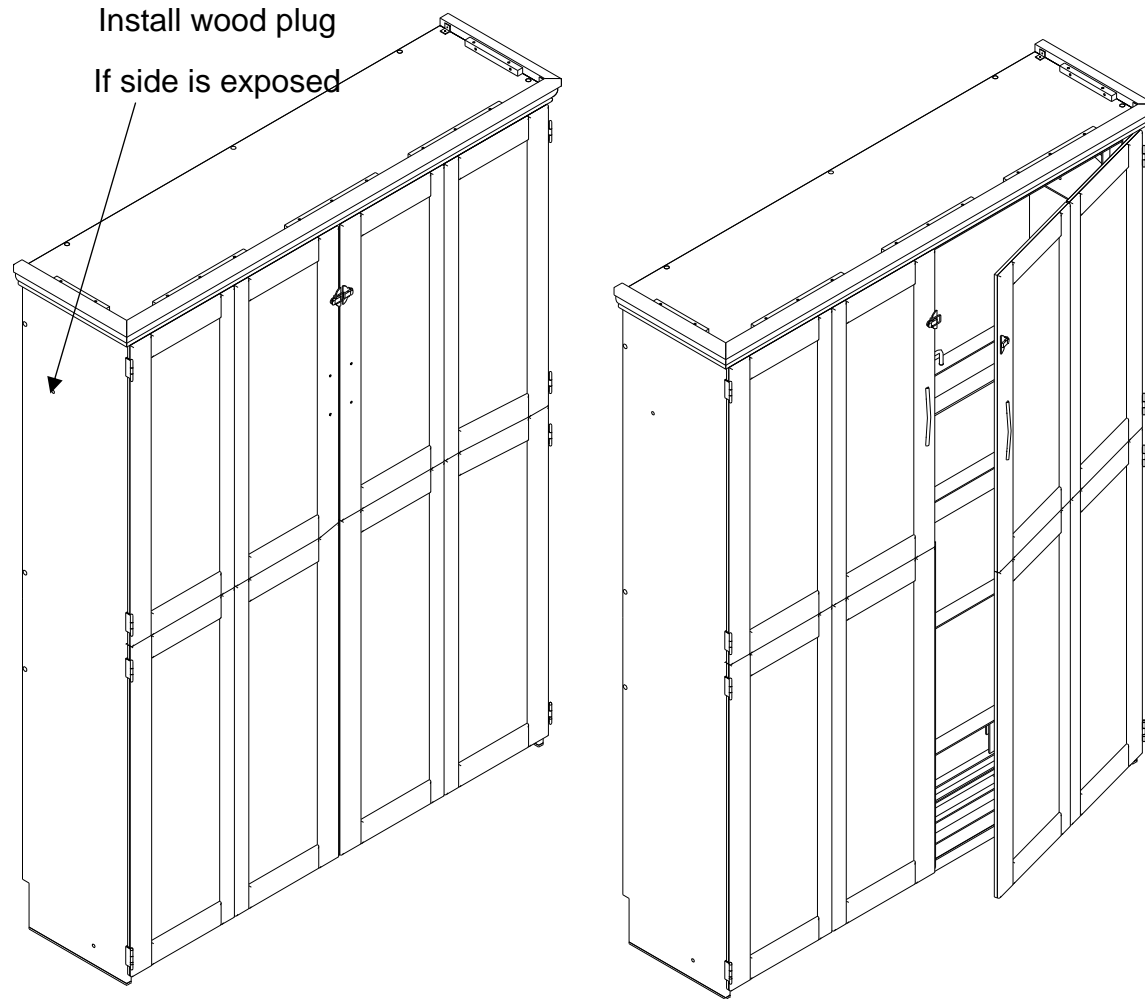
STEP 3D – With the doors still open, center the bed case at the top by inserting some folded pieces of cardboard in equal thickness on either side.

Put equally folded pieces of cardboard in each of the gaps between the flip-over-foot leg and the side panel . This assures the top of the bed case is “squared” with the bed frame.



While the pieces of cardboard hold the bed case “square” to the metal tray, find two vertical studs in the wall and use the small bracket and screws in bubble pack # 2 to affix the bed case in position as shown.

STEP 3E – Remove the two pieces of cardboard, install the door handles from box 1, and then close and latch the doors.



APPENDIX 1 – Mounting your Murphy Bed to a concrete wall (such as is often found in a basement).

If you have either brick or masonry WITHOUT DRYWALL - We recommend the TAPCON Concrete Screw System, model 3/16" x 2.1/4" flat-head screw. You can find this product at:

HOME DEPOT: model# 24372, Internet sku# 202516426, store sku# 156942 (this item comes with the drill bit needed)

LOWES: model# 24360, item# 61657 AND you will also need a 4" or longer 5/32 concrete drill bit separately.

** You can watch informational video on installing Tapcon Screws into concrete, brick, or other masonry at:

www.confast.com/articles/install-concrete-screws.aspx

If you have DRYWALL ON TOP OF THE MASONRY – We recommend the TAPCON 3/16" x 2.3/4" concrete anchor.

HOME DEPOT: model# 24310, internet# 100170162, store sku# 155764

LOWES: model# 24310 item #79361

We believe these come with the appropriate 5/32 drill bit.

Installing screws into masonry will require the use of a "hammer drill" to drill the pilot hole – not a normal drill gun – so you may want to start calling "handy" friends to see if they possess this tool.

When you drill the holes for installation into masonry – you can use the 3 holes in the flange arm as a guide, and otherwise follow the same instructions as shown in STEP 2F.

WARNINGS FOR YOUR SAFETY:

1. THE MAXIMUM RECOMMENDED MATTRESS WEIGHT IS 100 LBS. FOR QUEEN SIZE, AND 70 LBS FOR Twin-XL SIZE.
2. WHEN MOVING/REMOVING YOUR MATTRESS:
 - a. Once you have completed step 3C, you have installed sufficient springs to make your bed tray move up and down smoothly with your mattress on the bed tray.
 - b. DANGER: If the weight of the mattress were not on the bed tray after you have installed 10 to 14 springs, the springs are strong enough to lift the empty bed tray to the vertical position very quickly – which could result in an injury if a person were struck by the fast moving tray.
 - c. To avoid the chance of injury when removing or changing your mattress, YOU MUST FIRST REMOVE ALL BUT TWO SPRINGS BEFORE REMOVING THE MATTRESS.