

## ASSEMBLY INSTRUCTIONS

### ITEM: F4116 & F4117 & 4118 & F4119

Caution: Please read instructions thoroughly before unpacking assembly parts. Sharp, exposed staple tips can cause injury, therefore, for your protection, please remove any exposed staple used in packing.

1. We recommend that you should assemble this product with the assistance of another person; this will make assembly easier, and will help to eliminate damage to the product or injury to persons during assembly.
2. Be sure to check all packing materials carefully for small parts that may have come loose inside the carton during shipment.
3. please do not over tighten screws or bolts.
4. Please put all parts on a non-abrasive floor before assembly, and follow the assembly steps to assemble your newly purchased product correctly and efficiently.

#### COMPONENT PARTS

NO:	COMPONENT		Q'TY
A	Vanity Desk		1pc
B	Side Frame of Vanity		2pcs
C	Support Bar		1pc
D	Mirror		1pc
E	Mirror Support Bars		2pcs
F	Cushion		1pc
G	Side Frame of Stool		2pcs
H	Support Bar		2pcs

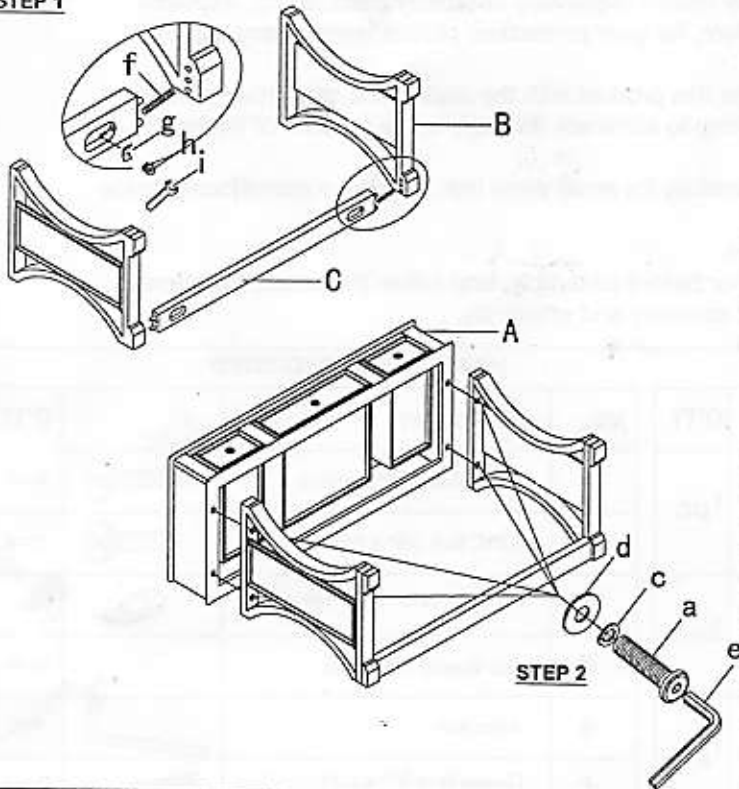
#### HARDWARES REQUIRED

NO:	COMPONENT		Q'TY
a	JCBC Bolt 5/16" x 45mm		4pcs
b	JCBC Bolt 1/4" x 35mm		4pcs
c	Spring Washer 5/16" Dia		8pcs
d	Flat Washer 5/16" Dia		8pcs
e	Allen Key		1pc
f	Hanger Bolt 5/8" * 3-1/2"		2pcs
g	U washer 5/8"		2pcs
h	Nut 5/8"		2pcs
i	Wrench		1pc
j	Screws		16pcs

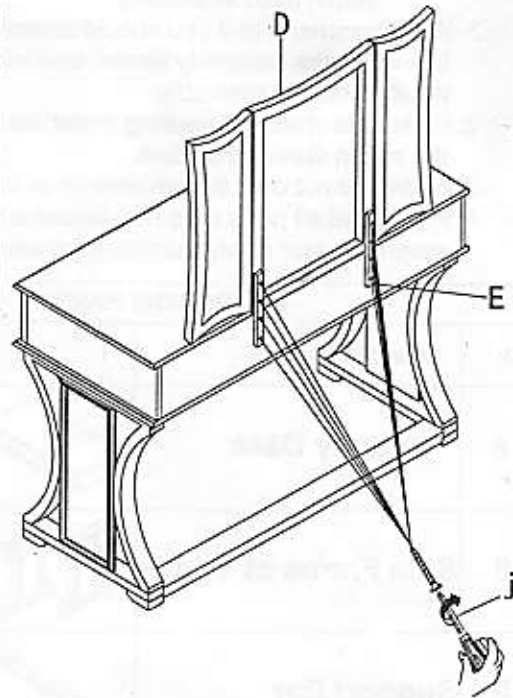
# ASSEMBLY INSTRUCTIONS

ITEM: F4116 & F4117 & 4118 & F4119

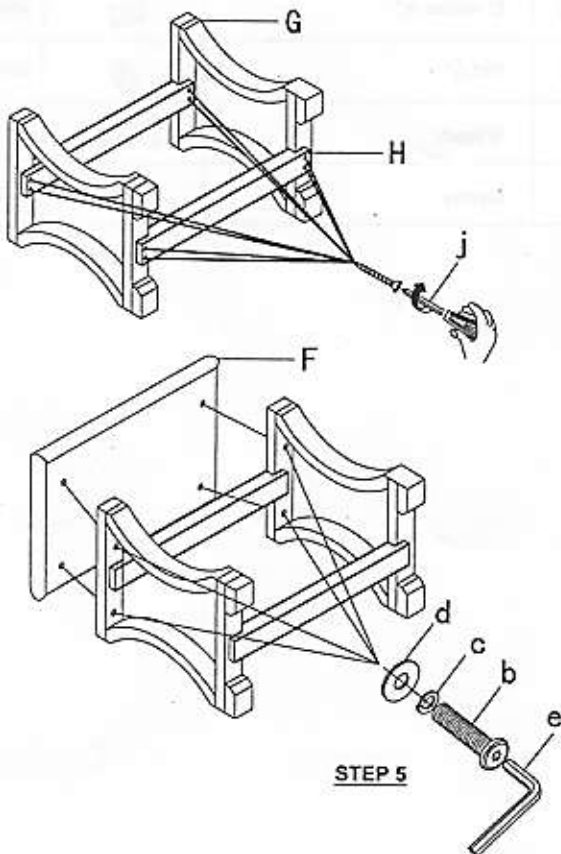
**STEP 1**



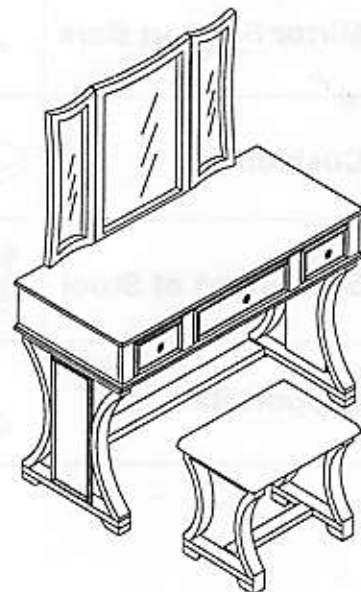
**STEP 3**



**STEP 4**



**STEP 6**



**STEP 5**