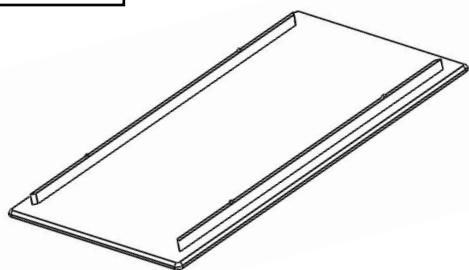


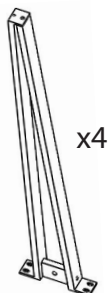
# DINING TABLE

Assembly Instructions  
Instructions De Asamble  
Instructions d'Assemblée

## PARTS



A



B

x4



x4

C



x4

D M8 20mm



x20

F



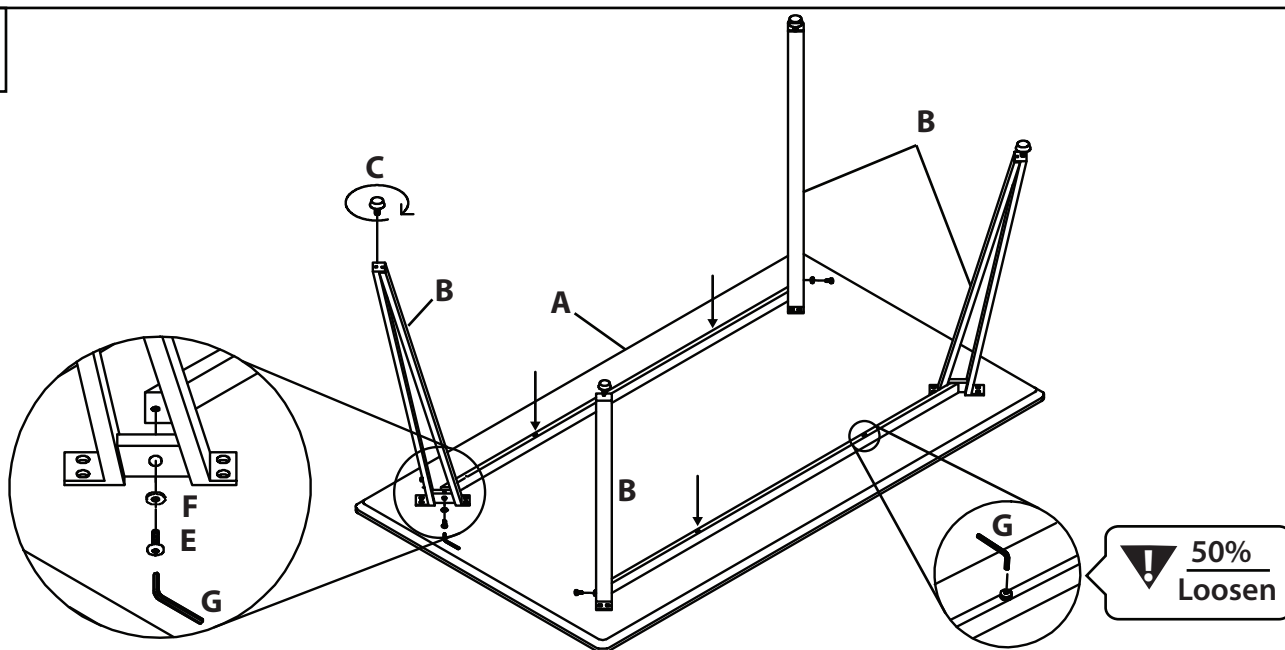
x16

E M8 30mm

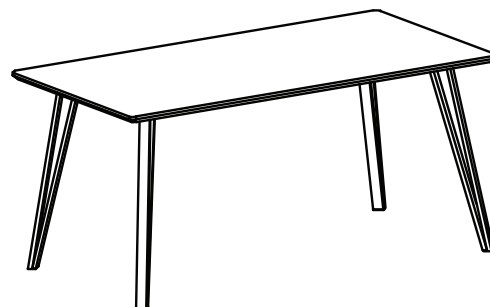
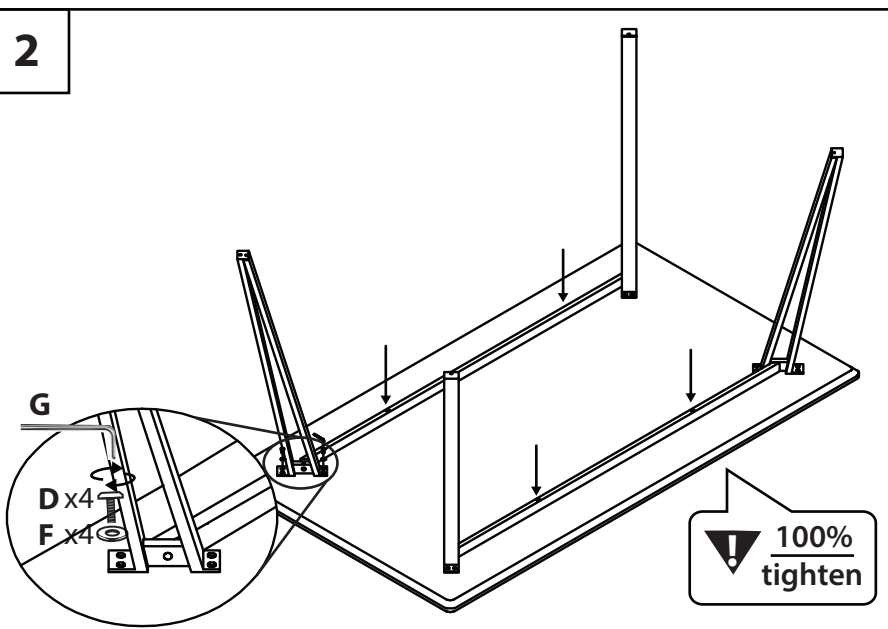


G

1



2



Do not over tighten.  
Do not use power tools to assemble.