

## TABLE

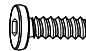




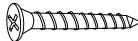
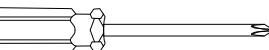
Thank you for purchasing the **TABLE!**

Before you start, here is some helpful advice:

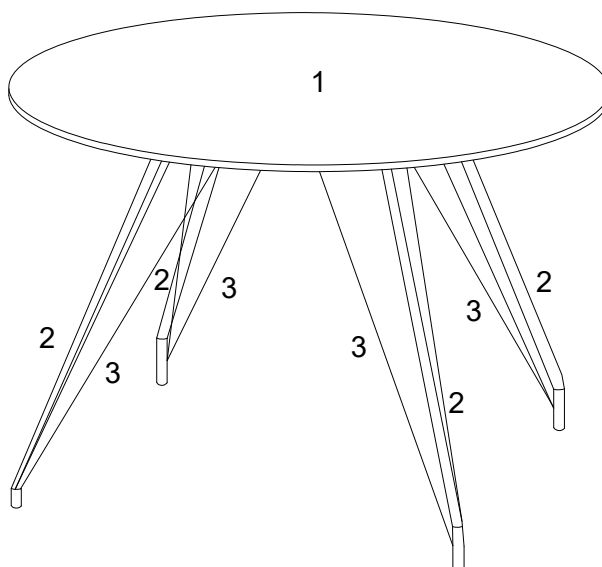
1. We suggest you spend a short time reading through this leaflet and then follow the simple step-by-step instructions.
2. Owing to the size and weight of the table, we recommend that it is assembled by two adults, on a carpeted or padded area, in the room that it is intended for. Approximate assembly time: 30 minutes.
3. Please do not use any tools other than those provided or recommended in these instructions.
4. Please do not throw away any of the packaging or the instruction until you have checked all the components and hardware and the furniture is fully assembled. Please ensure that the packaging is disposed of in a safe and environmentally friendly way.
5. Assemble all components loosely until advised to tighten. Depending on use, it may be necessary to tighten the components from time to time, so please save the tools that have been provided.
6. Please keep all fitting out of reach of children.



### Hardware:

A		Bolt M6x15mm	x4
B		Bolt M6x17.5mm	x12
C		Spring Washer M6	x12
D		Flat Washer M6	x12
E		Allen Wrench M4	x1
F		Screw M4x19mm	x8
		PHILLIPS HEAD SCREW DRIVER NOT PROVIDED	

### Component:



1 Table Top x1

2 Table Leg x4

3 Support Rail x4

**TABLE**

**STEP 1:**

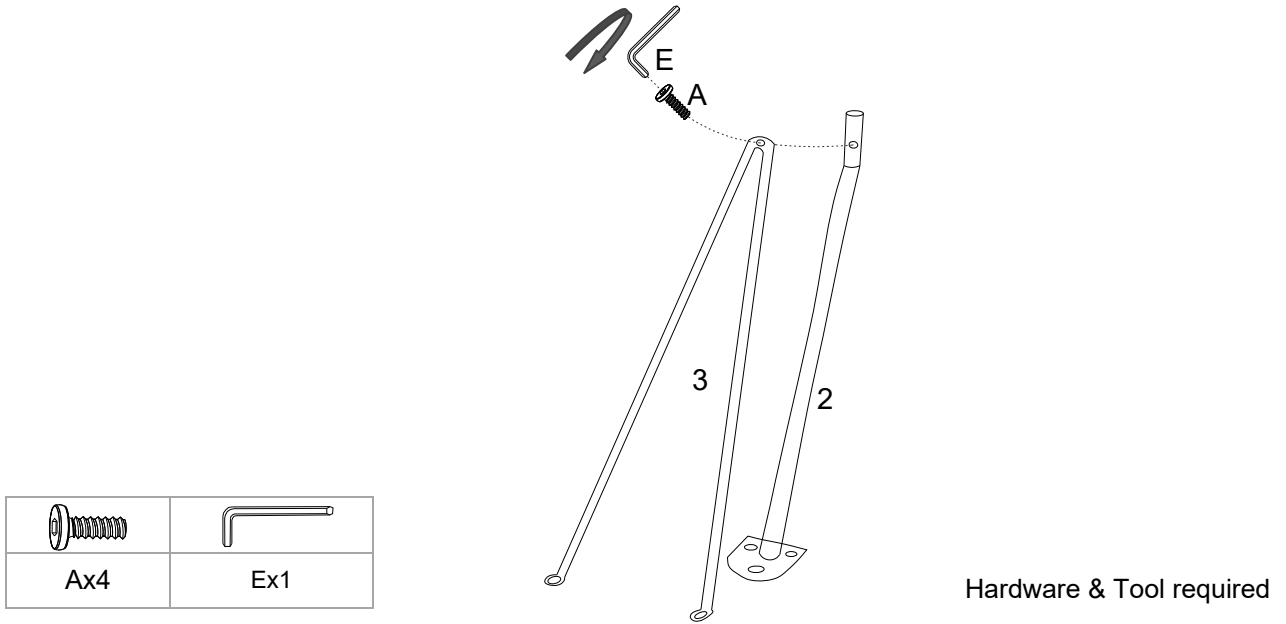
Please put **Table Legs (2)** and **Support Rails (3)** upside down on a carpeted or padded area.

Position 1 piece of **Support Rail (3)** to 1 piece of **Table Leg (1)** as shown.

Insert 1 piece of **Bolt (A)** into the hole on **Table Leg (2)** through the hole on **Support Rail (3)**.

Use **Allen Wrench (E)** to tighten **Bolt (A)**. Do not fully tighten **Bolt (A)** at this step.

Repeat the same steps for the remaining **Table Legs (2)** and **Support Rails (3)**.



**STEP 2:**

Please put **Table Top (1)** upside down on a carpeted or padded area.

Position 1 set of assembled **Table Leg (2)** and **Support Rail (3)** to the bottom of **Table Top (1)** as shown.

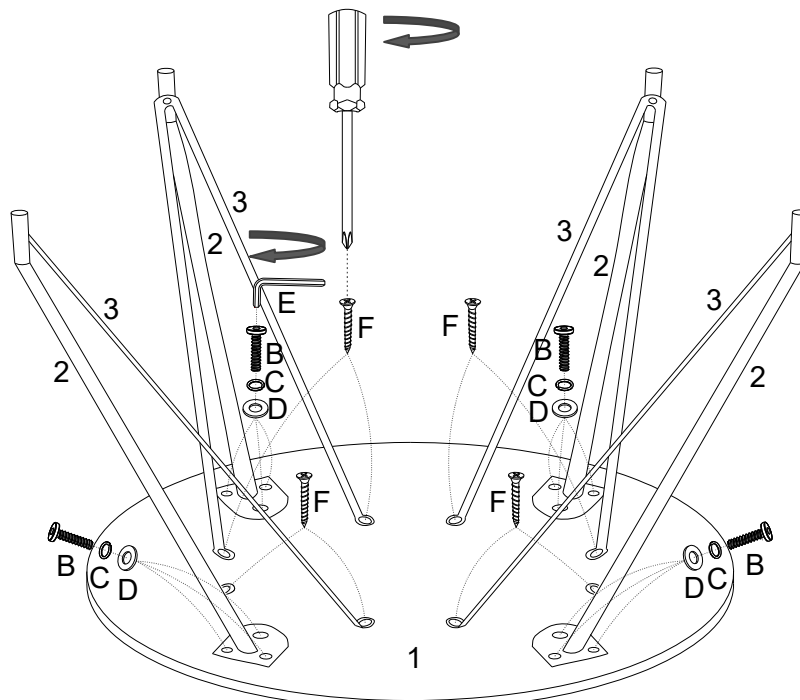
Insert 3 pieces of **Bolt (B)** with 3 pieces of **Spring Washer (C)** and 3 pieces of **Flat Washer (D)** into the holes on **Table Top (1)** through the holes on **Table Leg (3)**.





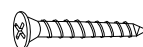
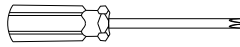
Secure 2 pieces of **Screw (F)** to the bottom of **Table Top (1)** through the holes on **Support Rail (3)**.

Repeat the same steps for the remaining assembled **Table Legs (2)** and **Support Rails (3)** to **Table Top (1)**.

Use **Allen Wrench (E)** to tighten all **Bolts (A&B)** clockwise until secure.

Use **Phillips Head Screw Driver (Not Provided)** to tighten **Screw (F)** clockwise until secure



					
Bx12	Cx1	Dx1	Ex1	Fx8	PHILLIPS HEAD SCREW DRIVER NOT PROVIDED

Hardware & Tool required

## TABLE

---

### STEP 3:

Carefully turn over the assembled table.



---

Assembly is complete. Your table is ready to be used now!