

DINING STOOL (LINEN)

ASSEMBLY INSTRUCTION



Assembly Instruction

ASSEMBLY TIPS:

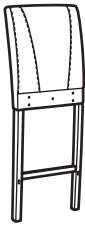






1. Remove hardware from box and sort by size.
2. Please check to see that all hardware and parts are present prior to start of assembly.
3. Please follow attached instructions in the same sequence as numbered to assure fast and easy assembly.



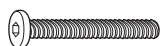




Warning!

1. Don't attempt to repair or modify parts that are broken or defective. Please contact the store immediately.
2. This product is for home use only and not intended for commercial establishment.

PARTS IDENTIFICATION

- (A) BACK REST  1pc
- (B) FRONT LEFT LEG  1pc
- (C) FRONT RIGHT LEG  1pc
- (D) SEAT  1pc
- (E) FRONT STRETCHER  1pc
- (F) LEFT STRETCHER  1pc
- (G) RIGHT STRETCHER  1pc

HARDWARE PACKAGE

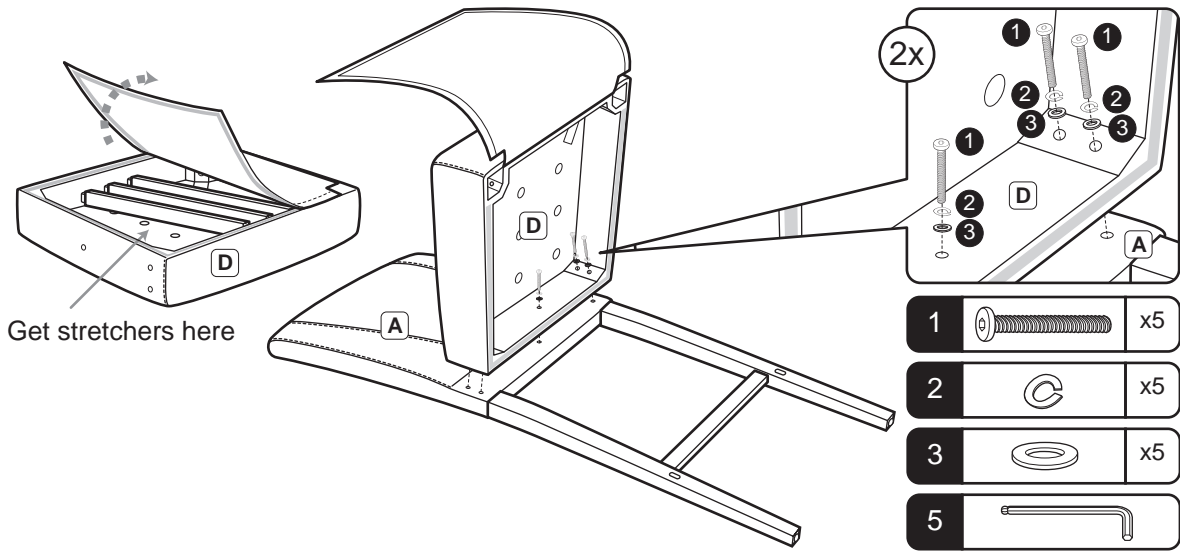
NO.	DESCRIPTION	FIGURE	QTY.
1	BOLT M6 x 50mm		9
2	LOCK WASHER		9
3	FLAT WASHER		9
4	SCREW		6
5	ALLEN KEY		1

Additional tools required:

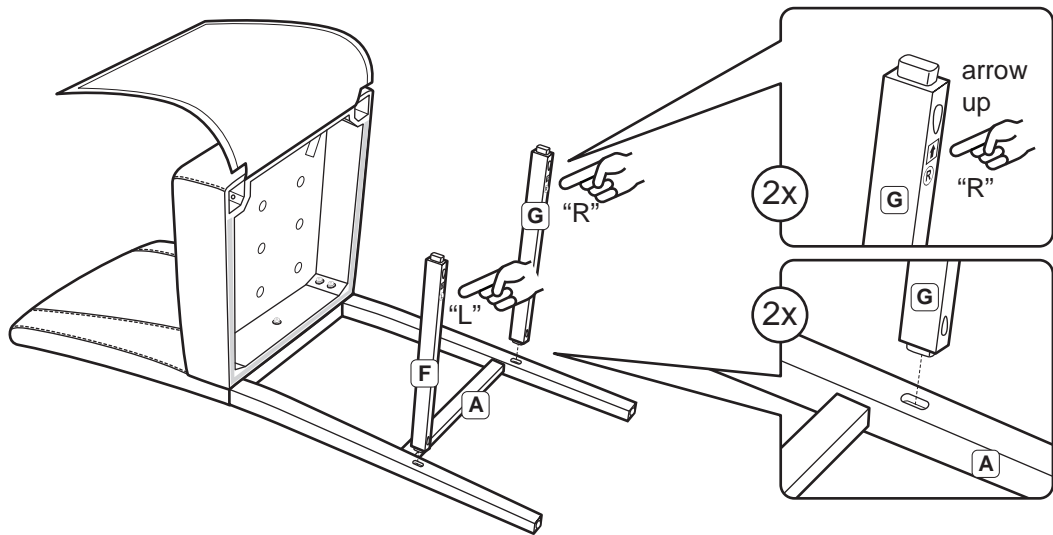


Crosshead Screwdriver

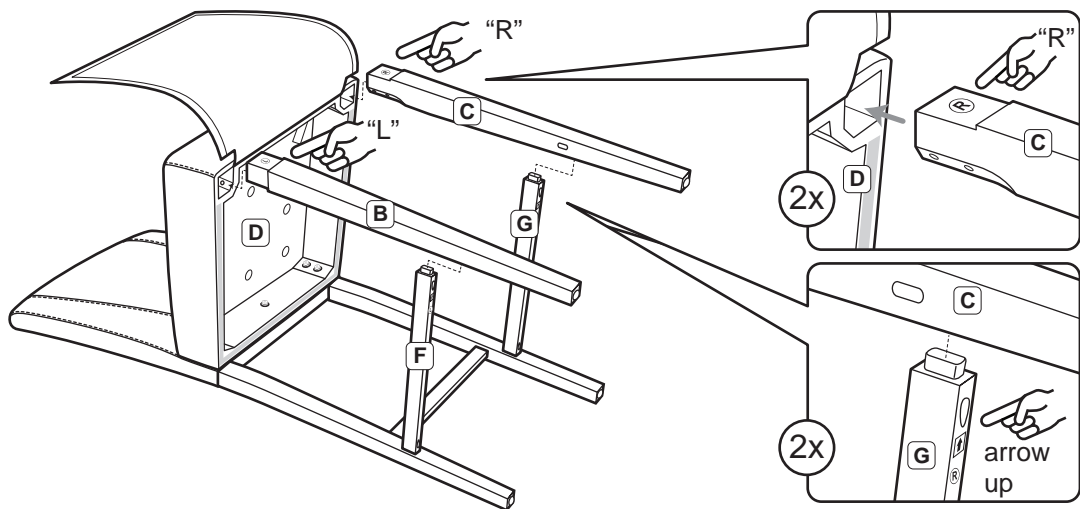
STEP 1



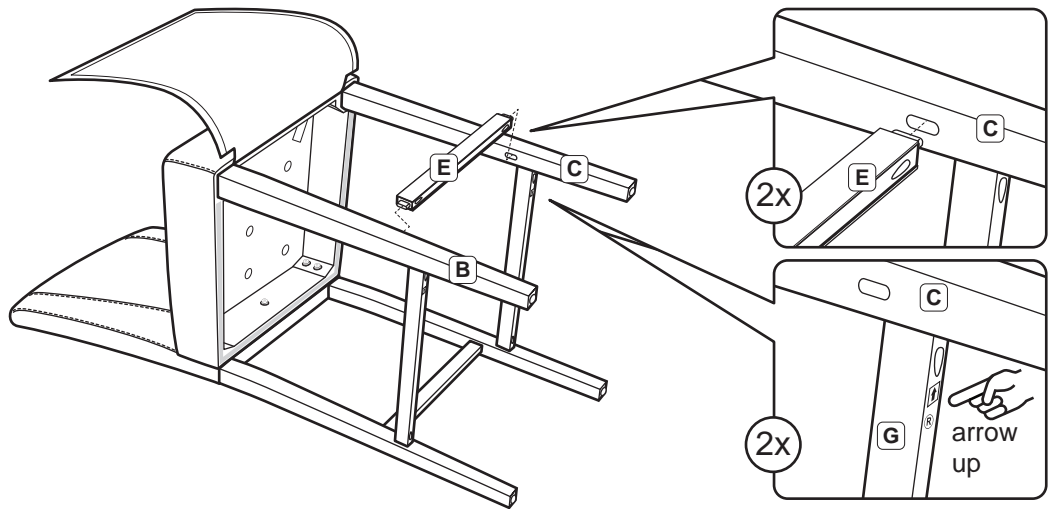
STEP 2



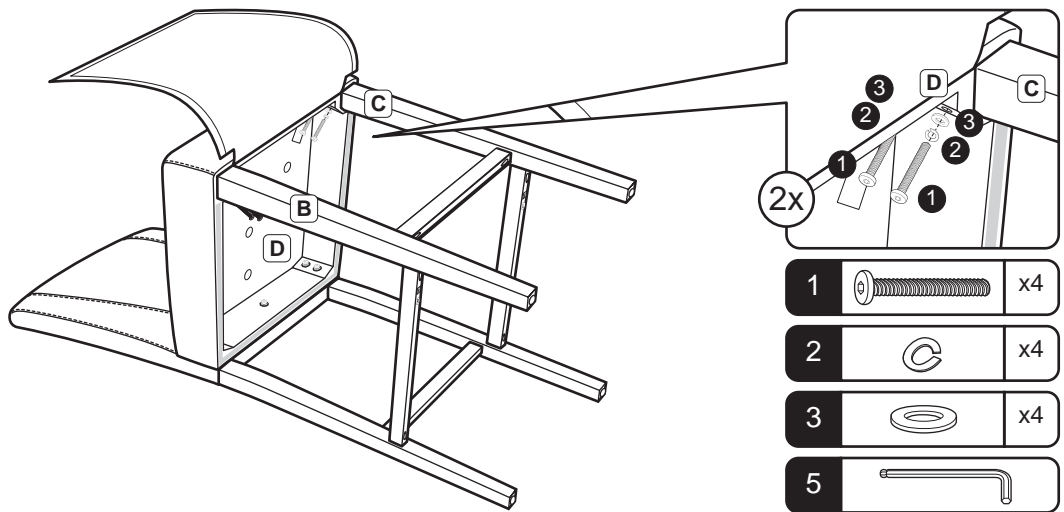
STEP 3



STEP 4



STEP 5



STEP 6

