
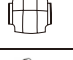
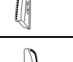



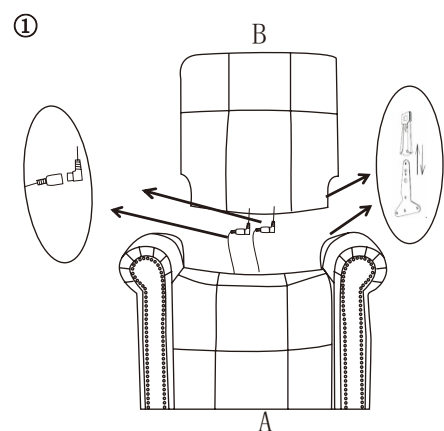
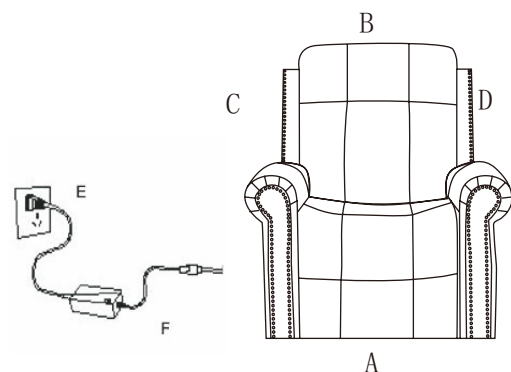


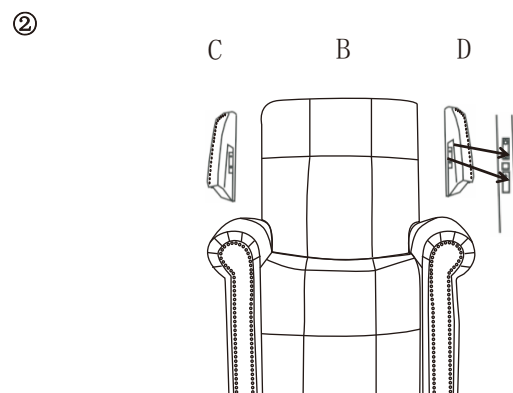
ASSEMBLY INSTRUCTION

Read instruction carefully prior to assembly.
Thank you for purchasing this quality product. Check carefully for small parts which may have come loose during shipment. Remove all components from pack and place them on soft surface such as carpet or cloth to prevent scratching. Identify and count all parts as specified below.

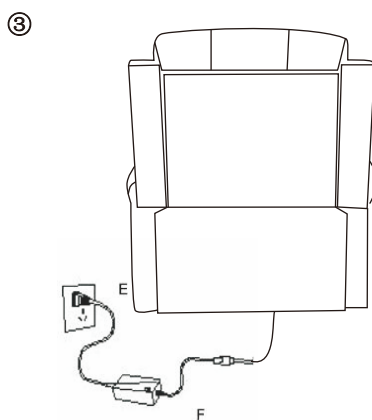
Parts List			
NO .	DESCRIP TION	SKETCH	QTY
A	Seat		1PC
B	Back		1PC
C	LSF Wing		1PC
D	RSF Wing		1PC
E	Power code		1PC
F	Transformer		1PC



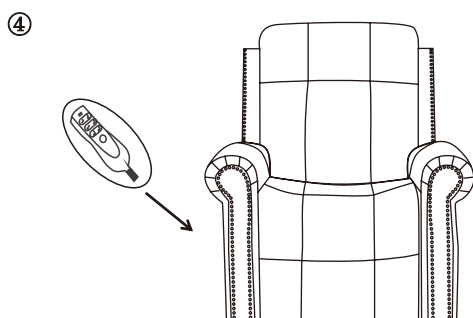
1. Connect the connector of back and seat
Place Bracket into Sleeve and press top of back down firmly



2. Lock your KD wing to the side of back



3. Connect the connector from motor to the power cord and transformer




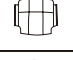
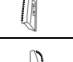



4. Use the handcontroller to enjoy your Barcalounger® Furniture

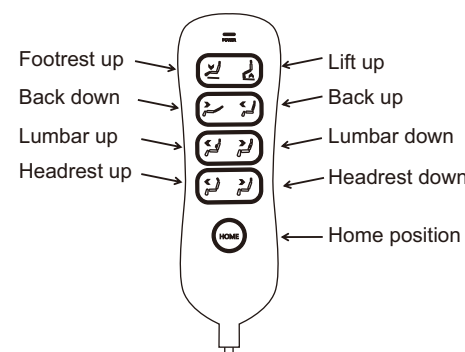
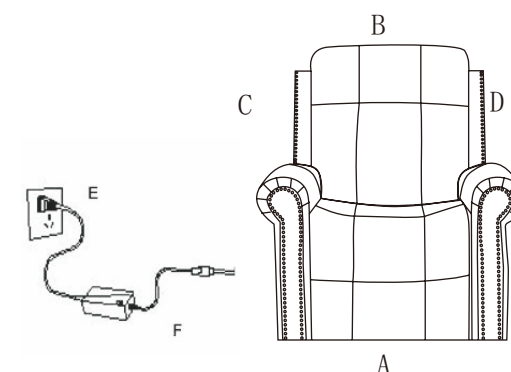
CAUTION

Do not allow children to play on this mechanism furniture or operate the mechanism. Leg rest folds down on closing so that child could possibly be injured. Always leave in an upright and closed position and keep hands feet clear of mechanism. Only the occupant should operate it.

ASSEMBLY INSTRUCTION

Read instruction carefully prior to assembly.
Thank you for purchasing this quality product. Check carefully for small parts which may have come loose during shipment. Remove all components from pack and place them on soft surface such as carpet or cloth to prevent scratching. Identify and count all parts as specified below.

Parts List			
NO .	DESCRIP TION	SKETCH	QTY
A	Seat		1PC
B	Back		1PC
C	LSF Wing		1PC
D	RSF Wing		1PC
E	Power code		1PC
F	Transformer		1PC



CAUTION

Do not allow children to play on this mechanism furniture or operate the mechanism. Leg rest folds down on closing so that child could possibly be injured. Always leave in an upright and closed position and keep hands feet clear of mechanism. Only the occupant should operate it.