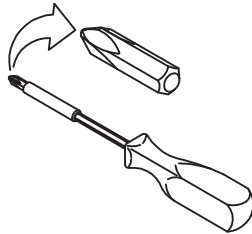
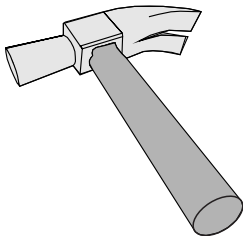
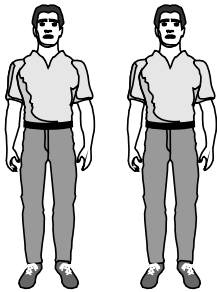
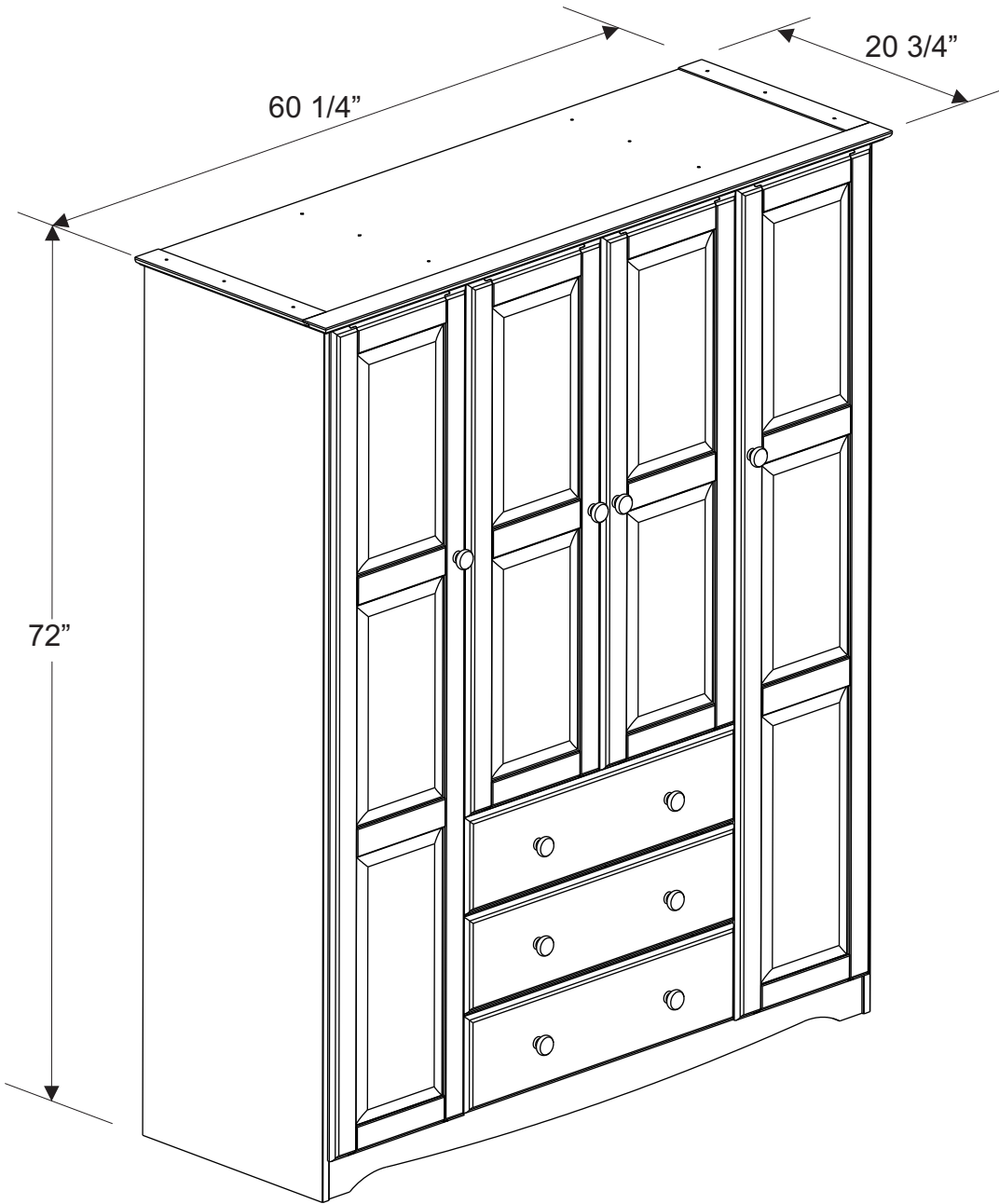


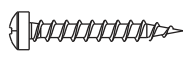

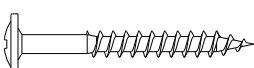
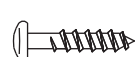

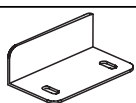





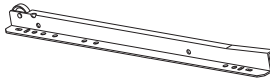
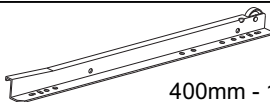
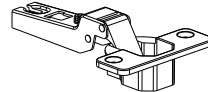
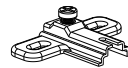
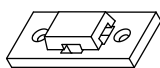




# ASSEMBLY INSTRUCTIONS

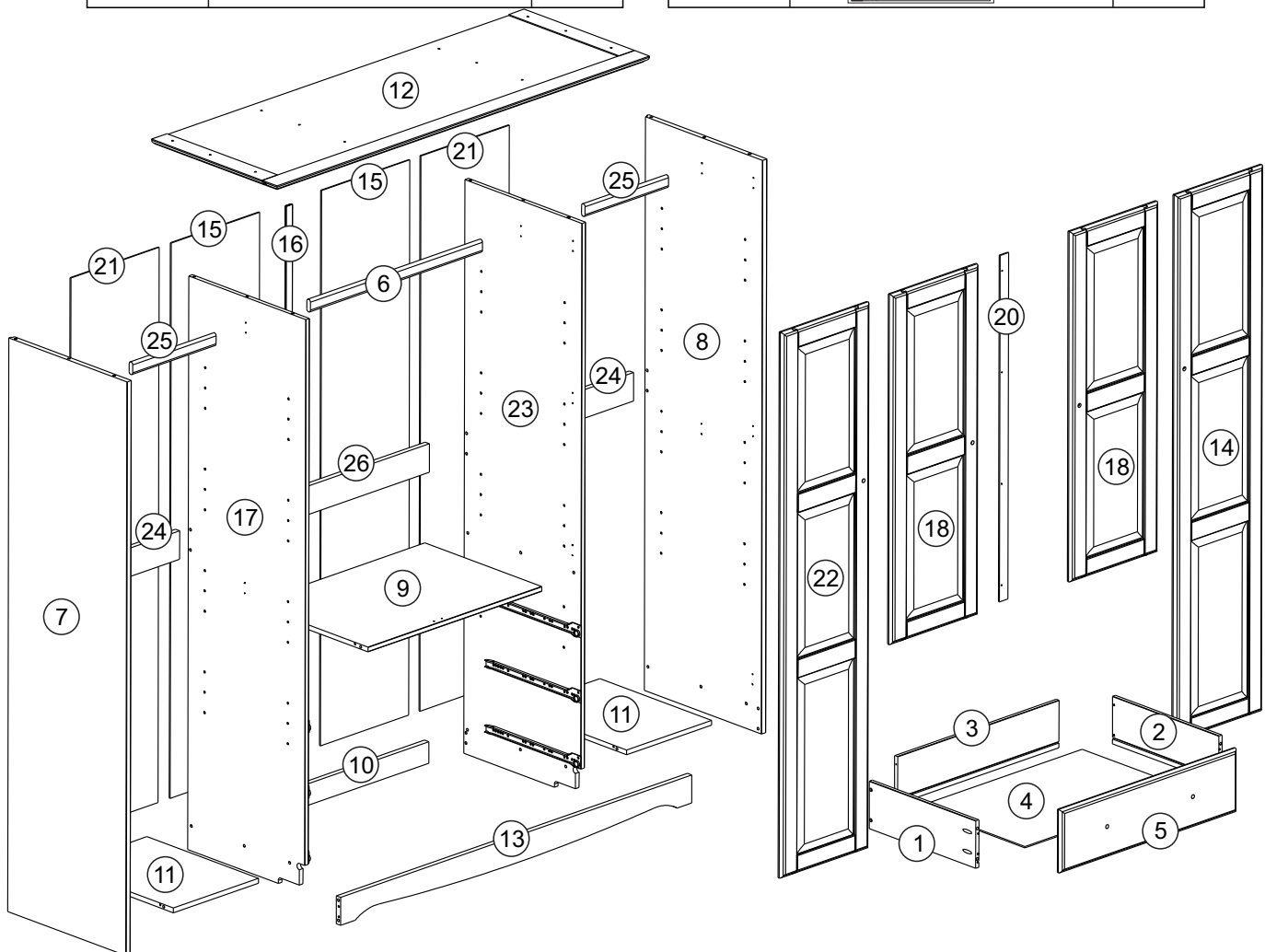
## 4-DOOR WARDROBE



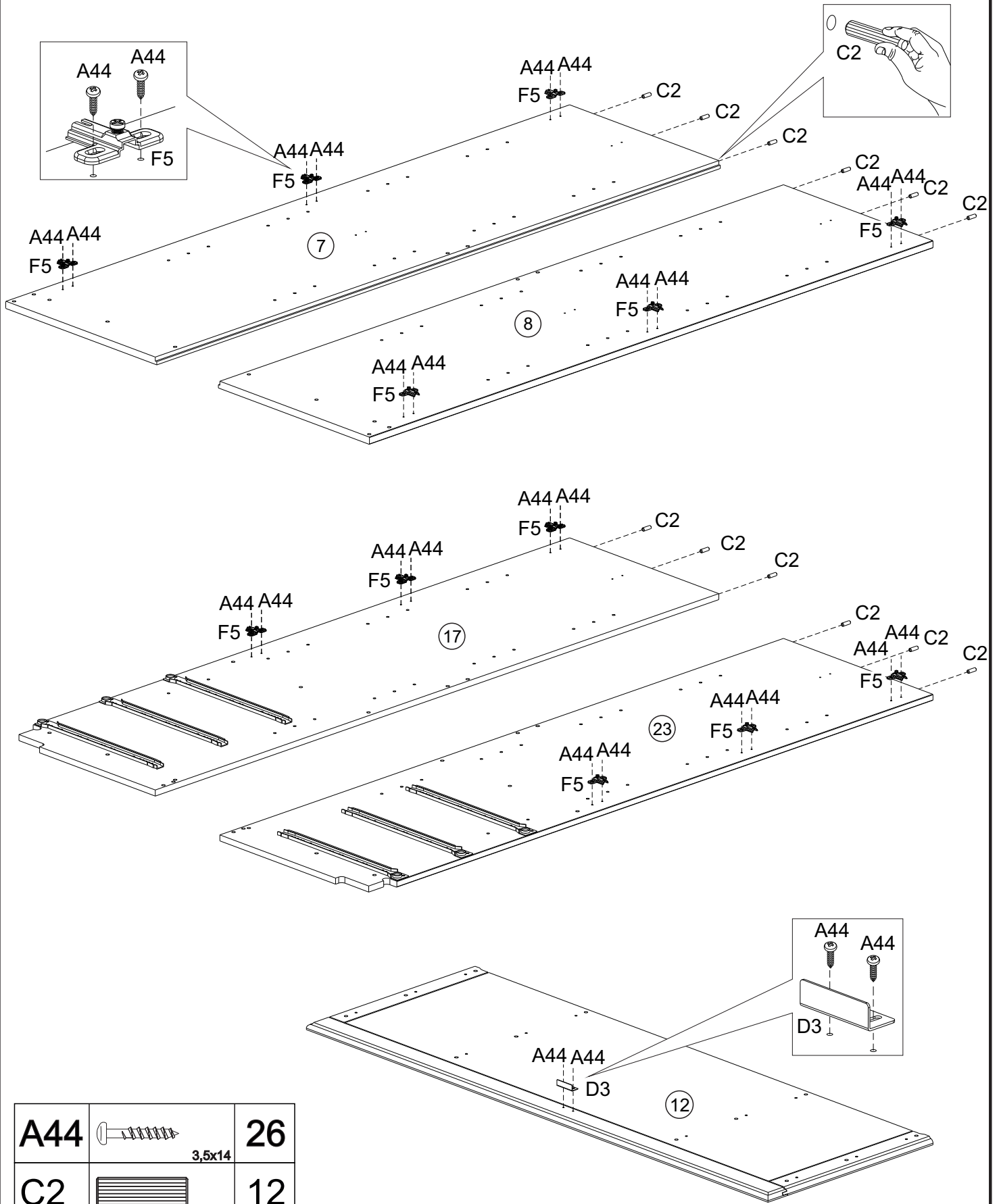
SCREWS ARE SHOWN IN ACTUAL SIZE



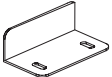

A1	 4,0x30	60
A4	 3,5x14	24
A8	 3,0x20	02
A16	 4,0x40	12
A41	 4,0x30	10
A44	 3,5x14	74
C2	 8,0x25	62
D3		01
D10		06
D16		02

D27		10
E3	 400mm - 15 3/4"	03
E4	 400mm - 15 3/4"	03
F4		12
F5		12
F8		02
F9		01
G1	 10x10	52
H1		10
J1		01

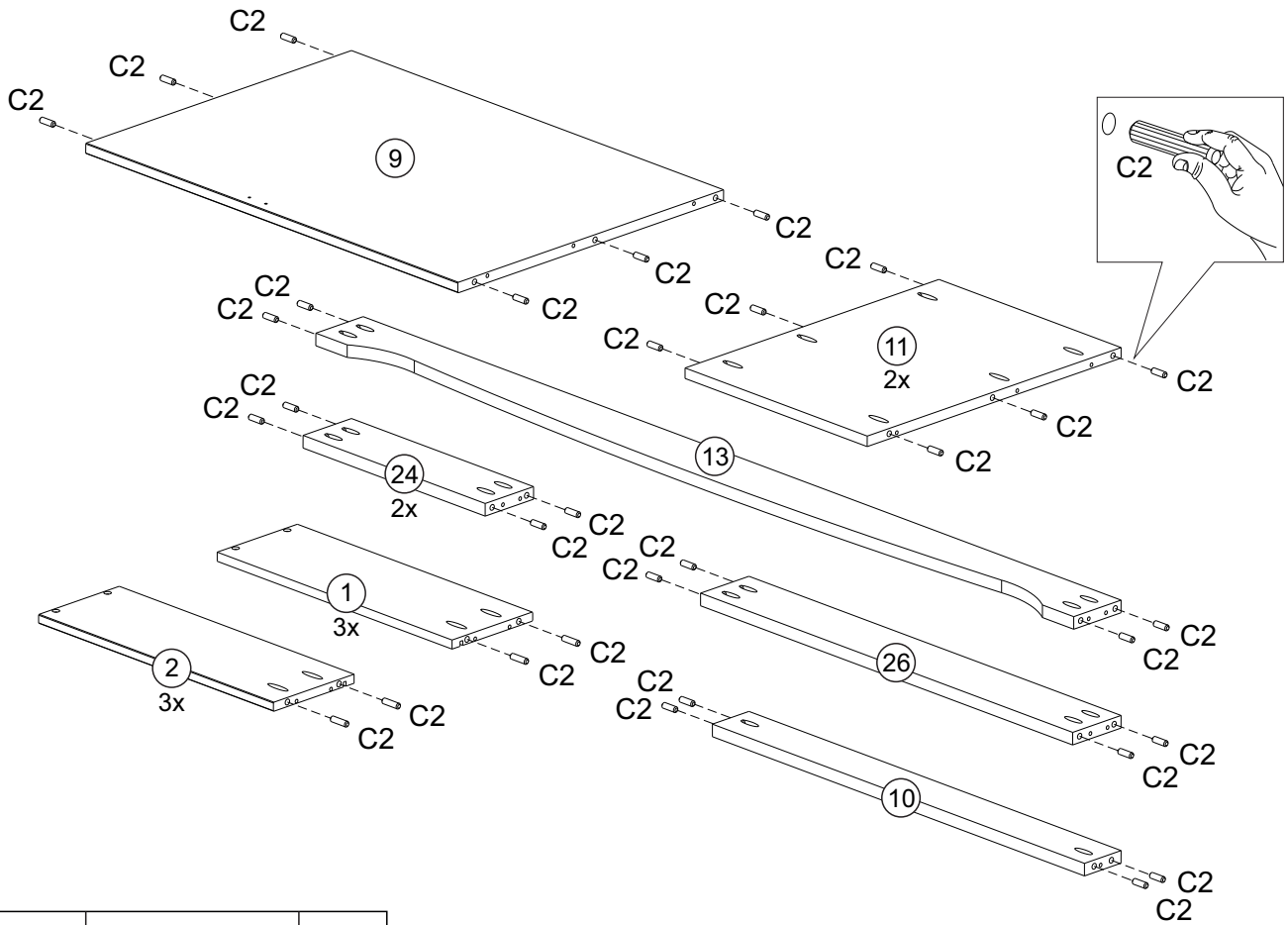



01)



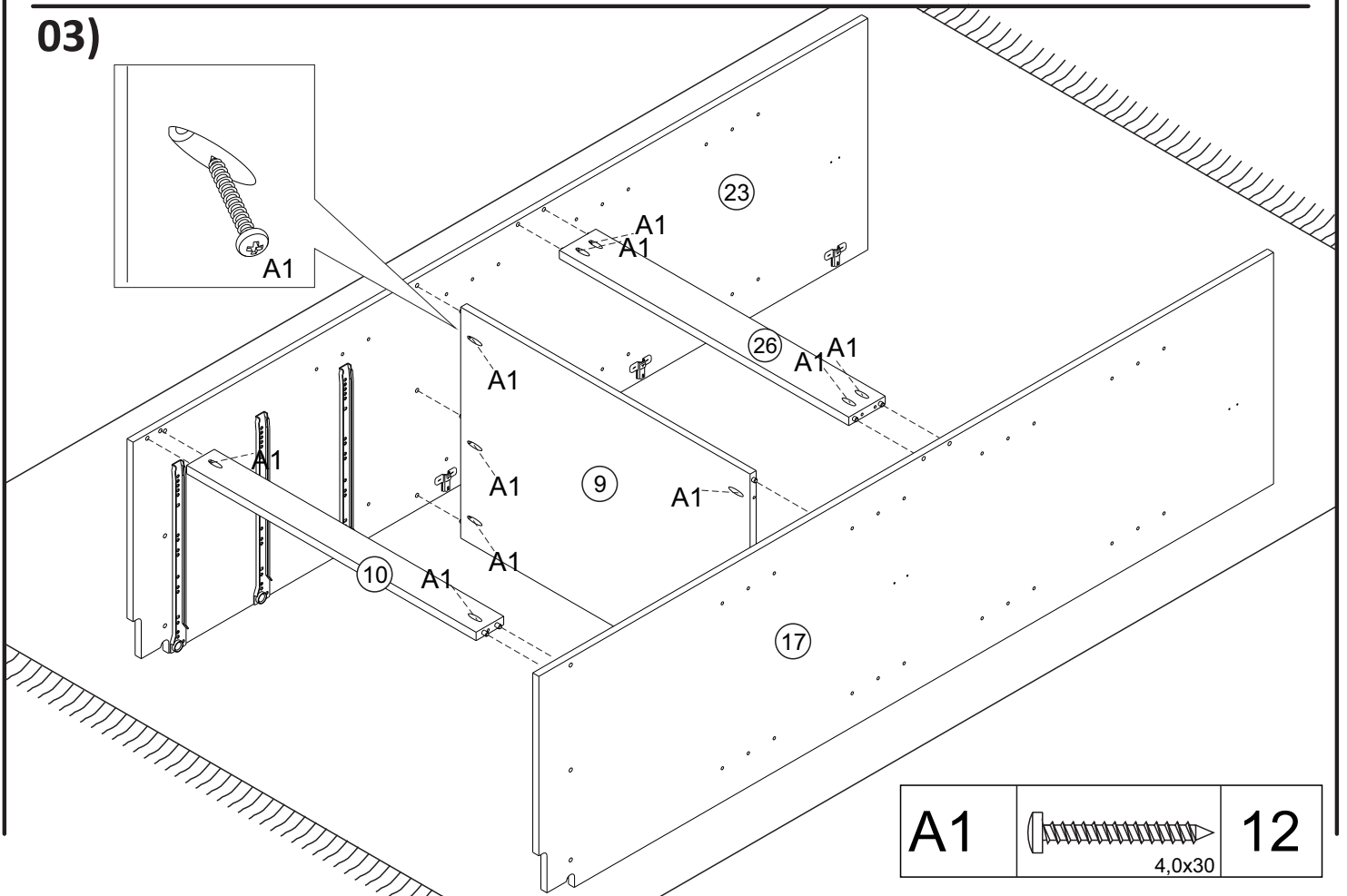
A44	 3,5x14	26
C2	 8,0x25	12
D3		01
F5		12

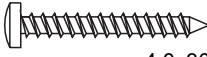
# 02)



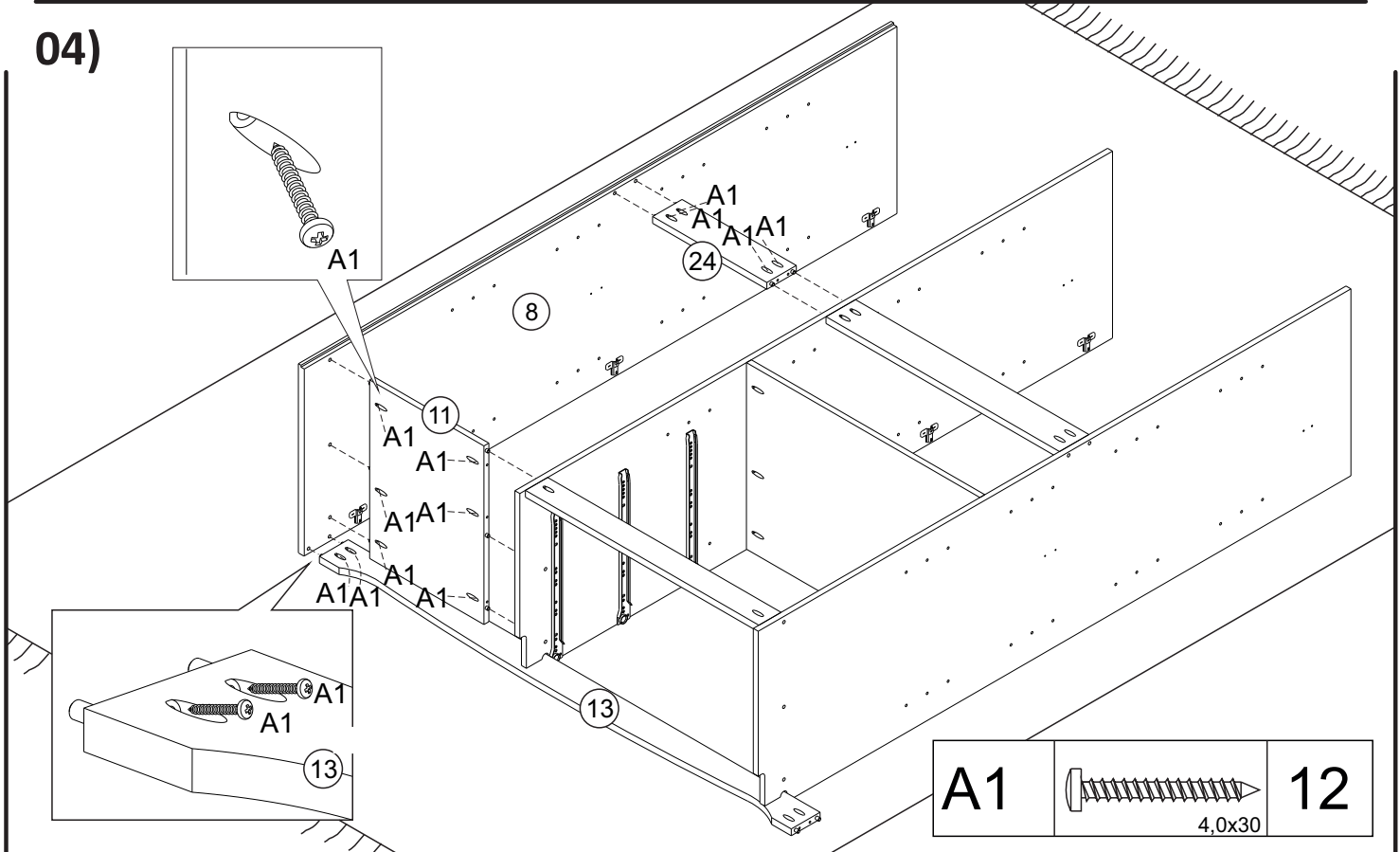
C2		50
	8,0x25	

# 03)

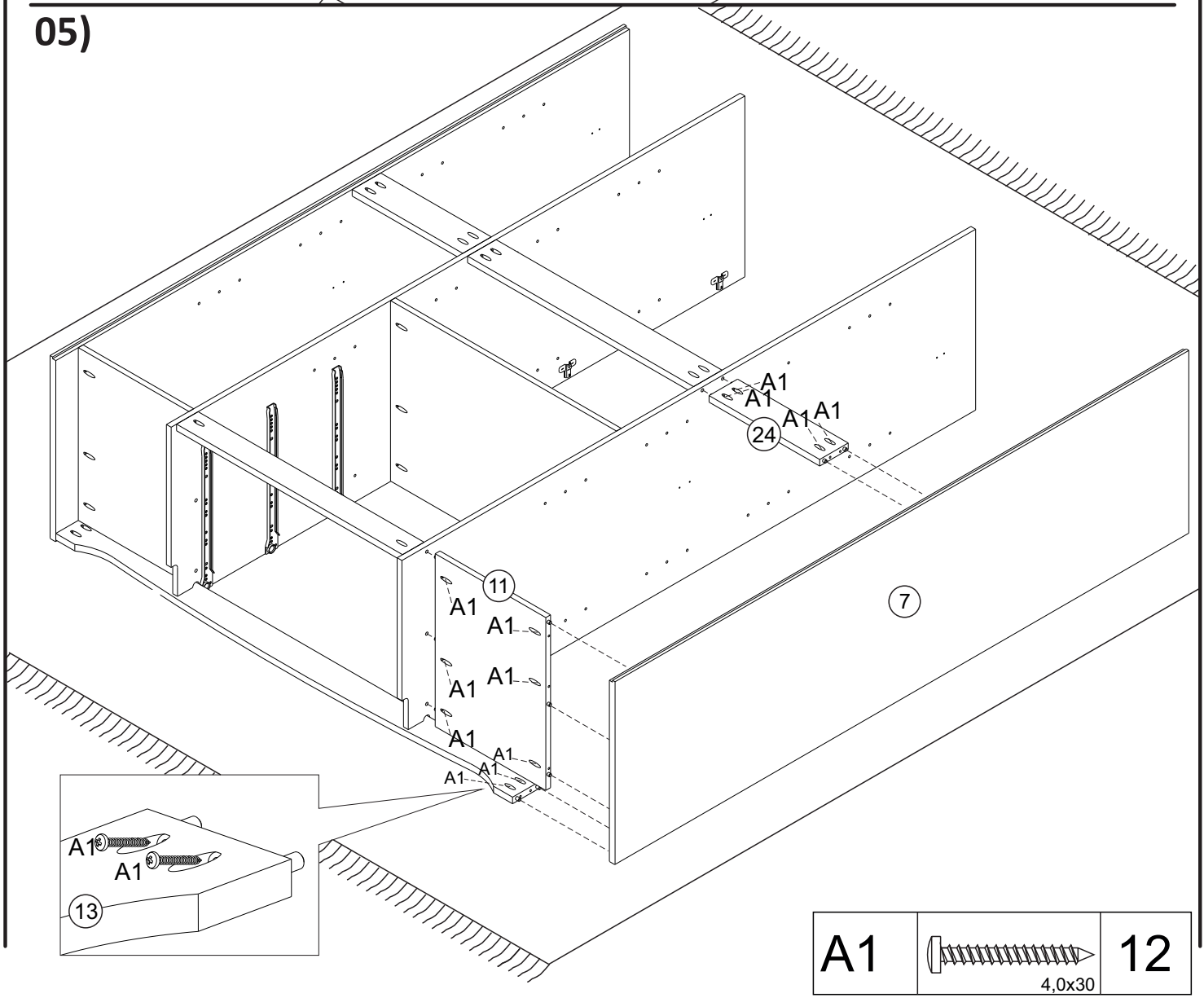


A1		12
	4,0x30	

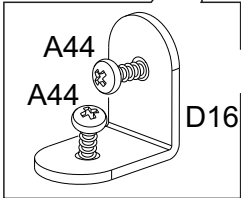
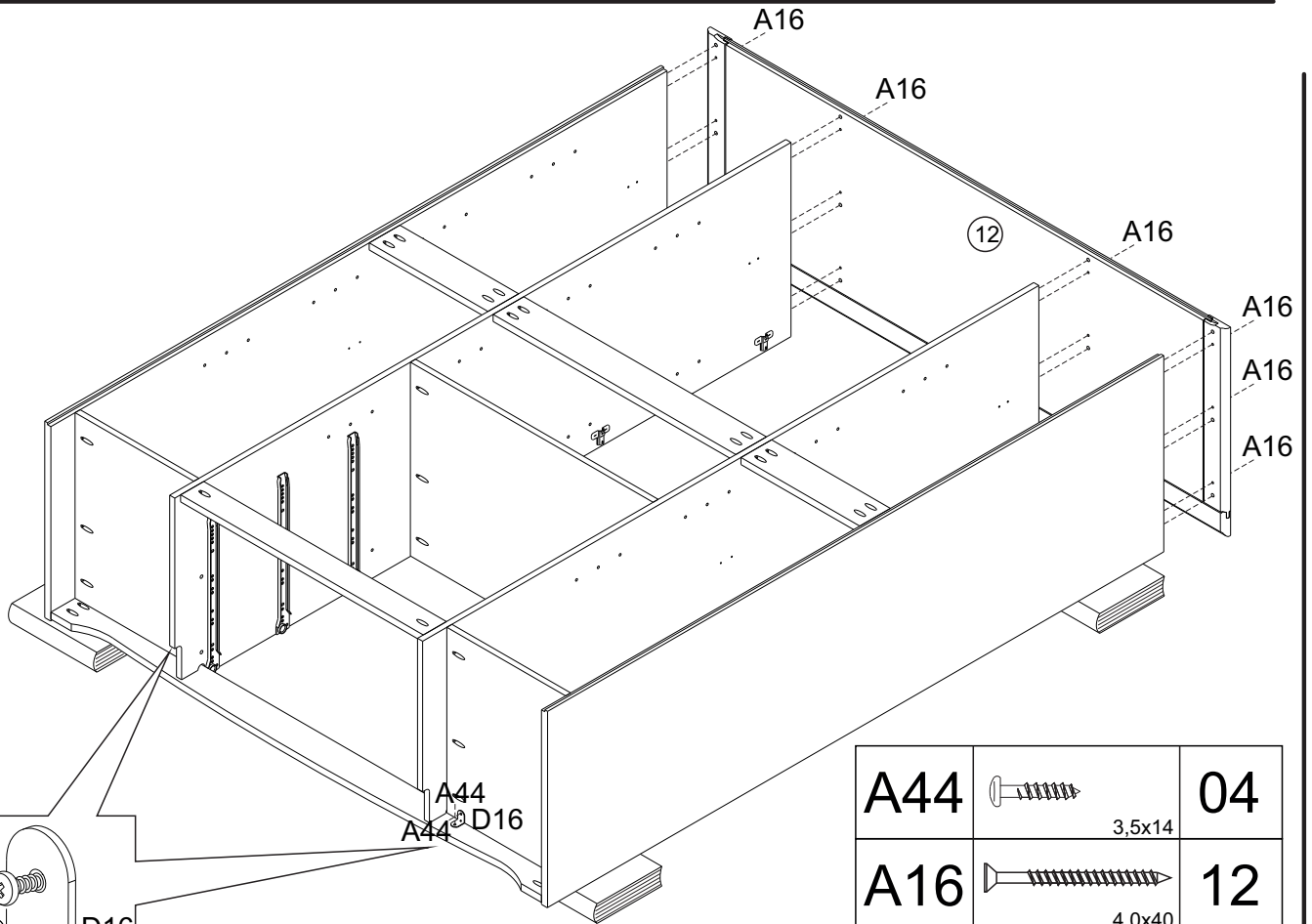
04)

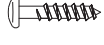




05)

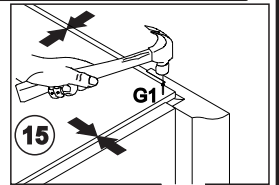
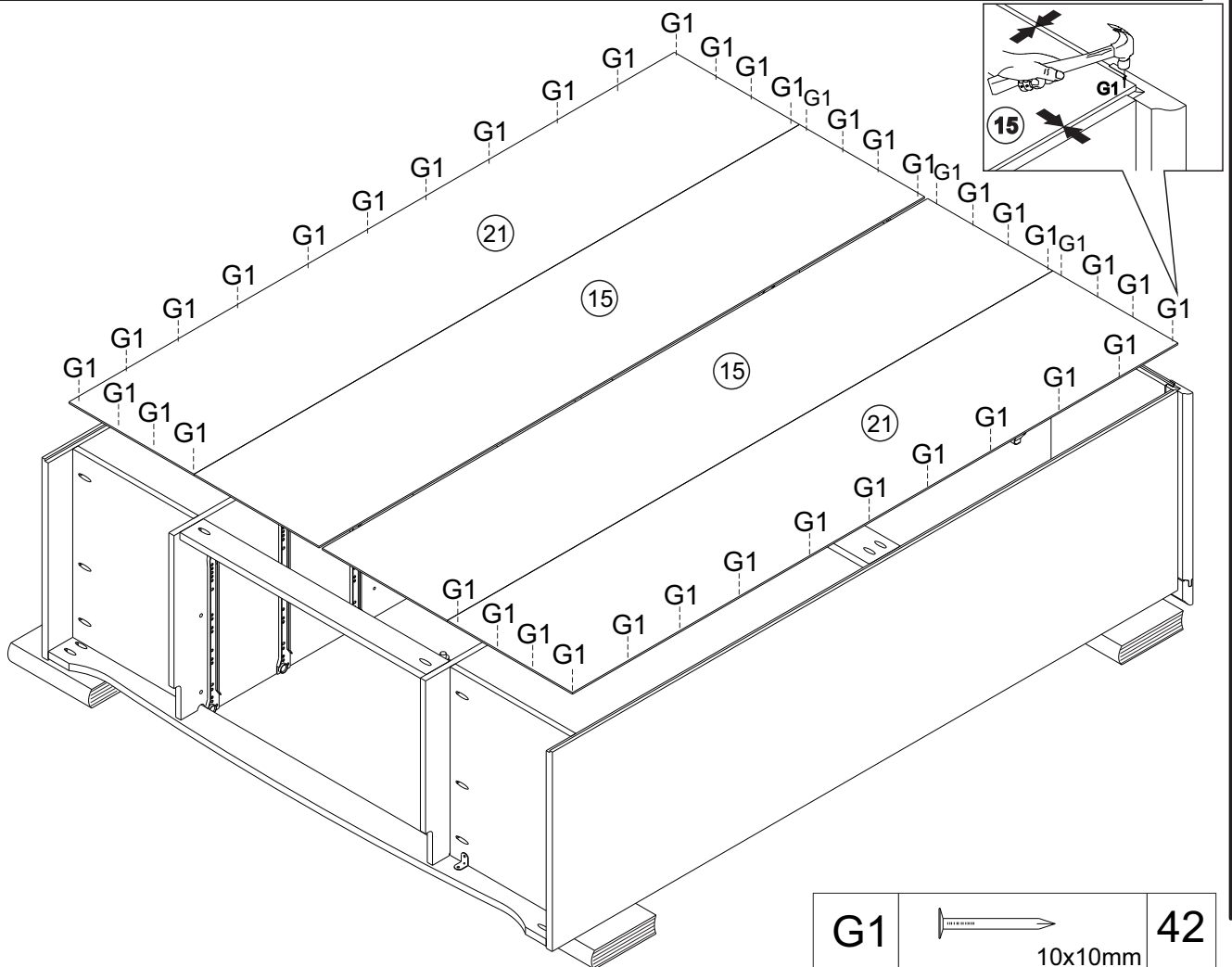



06)



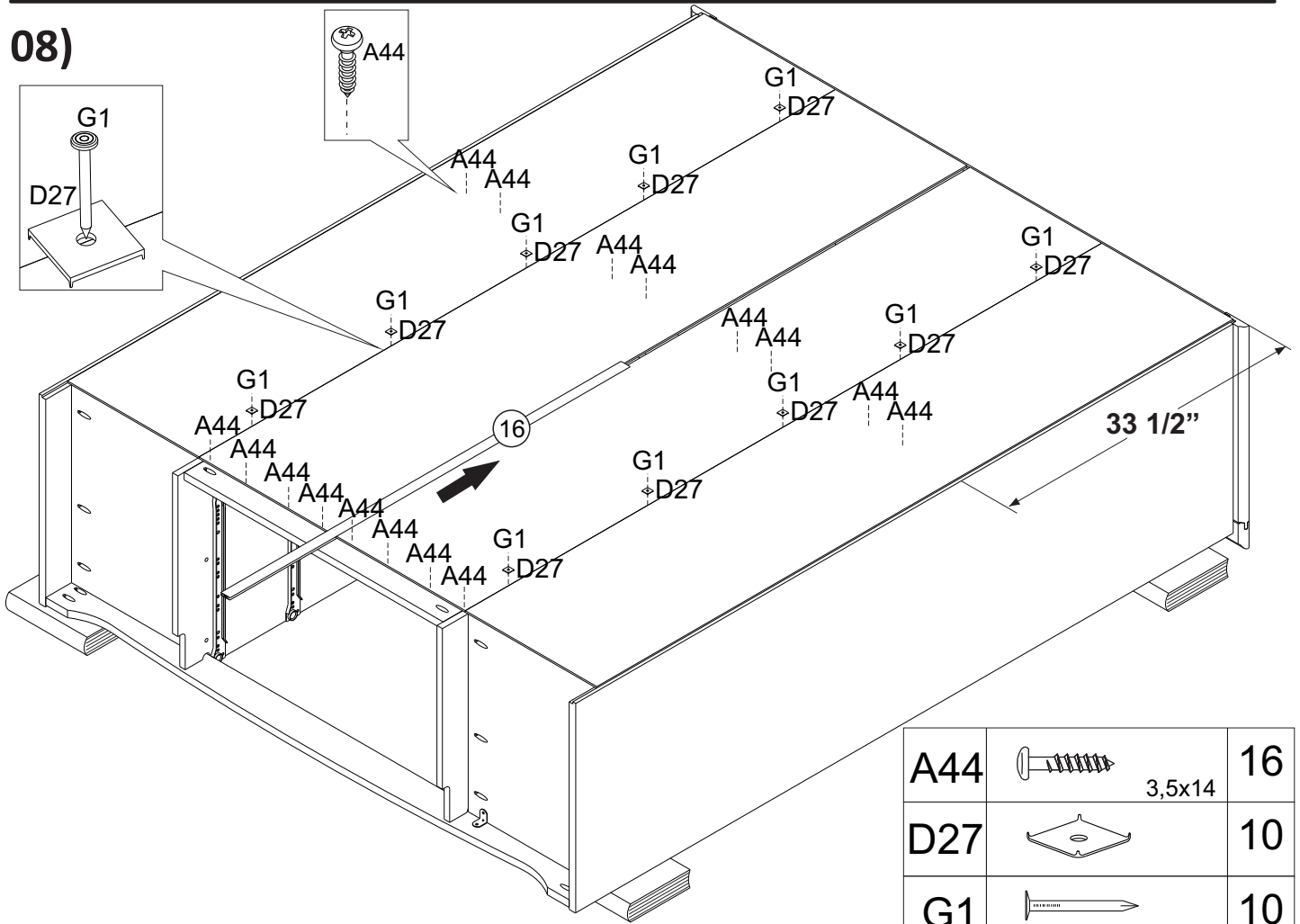
A44	 3,5x14	04
A16	 4,0x40	12
D16		02

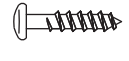

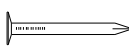
07)



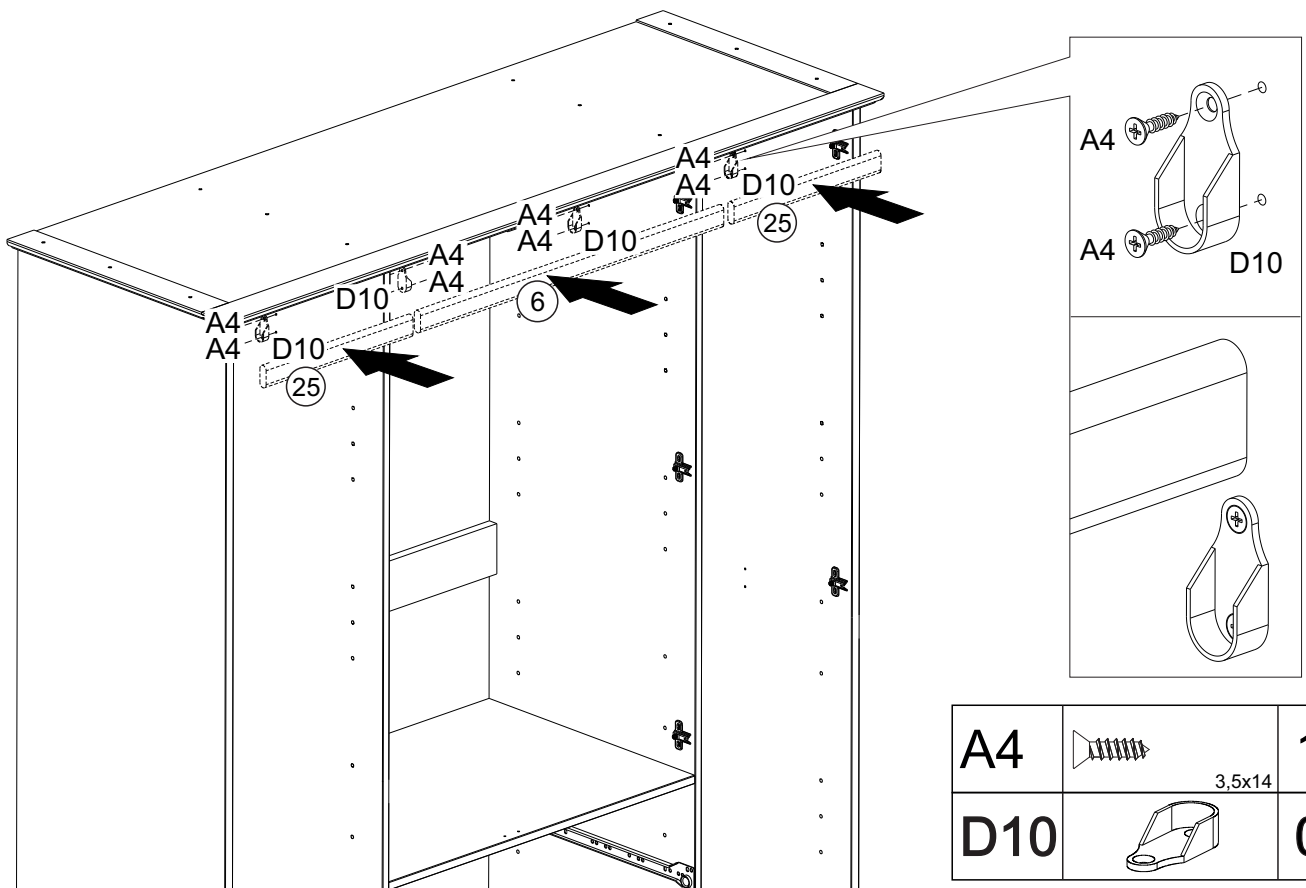
G1	 10x10mm	42
----	---	----

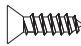

08)



A44		3,5x14	16
D27			10
G1		10x10mm	10

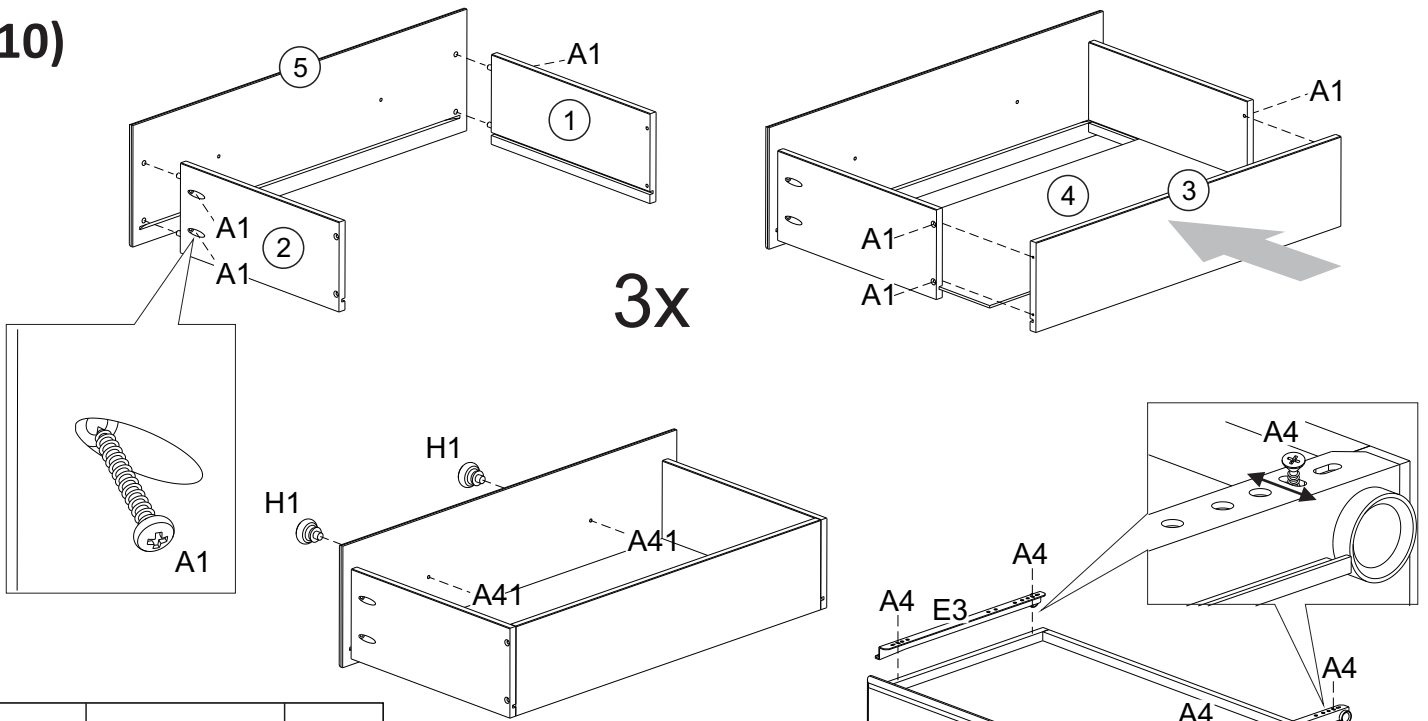
09)



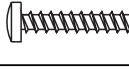

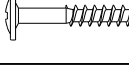

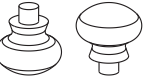
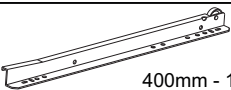
A4		3,5x14	12
D10			06



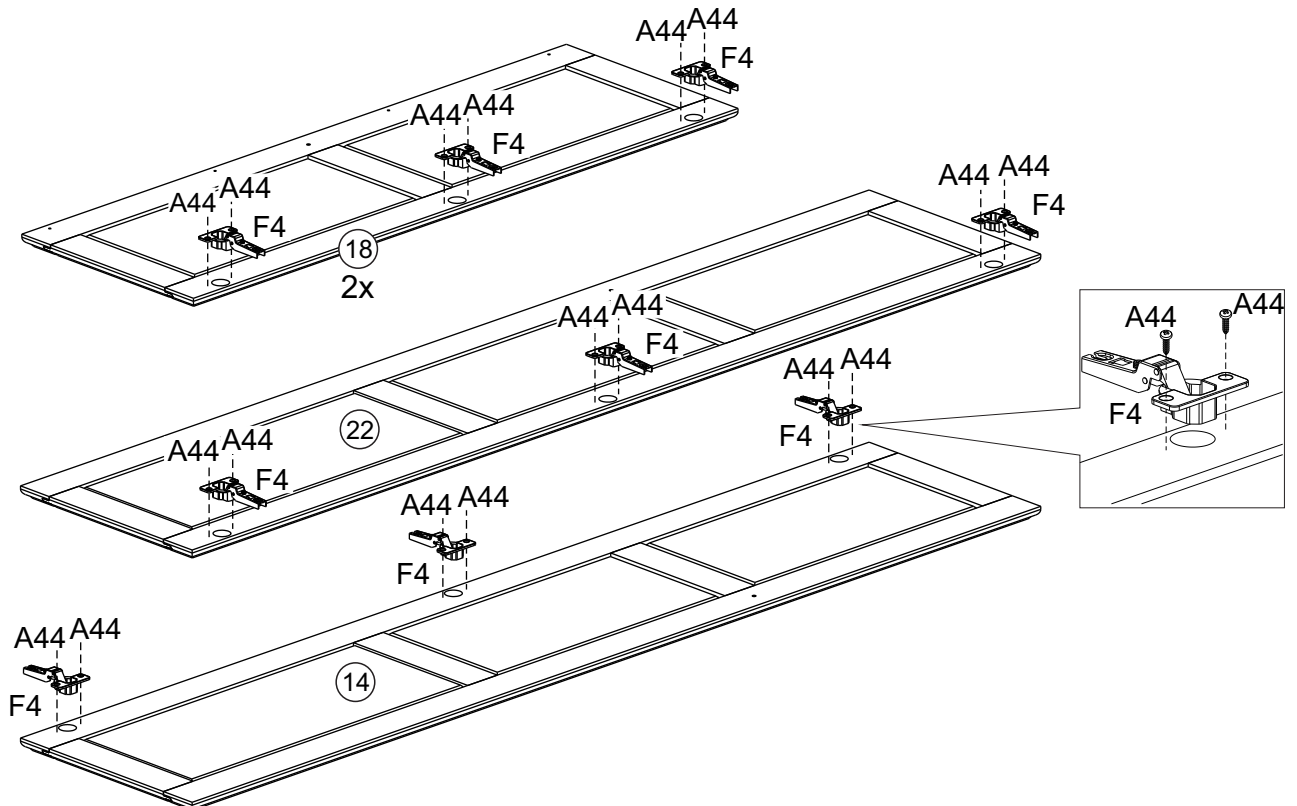
10)

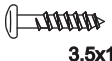



3x

A1	 4,0x30	24			
A4	 3,5x14	12			
A41	 4,0x30	06	E3	 400mm - 15 3/4"	03
H1		06	E4	 400mm - 15 3/4"	03

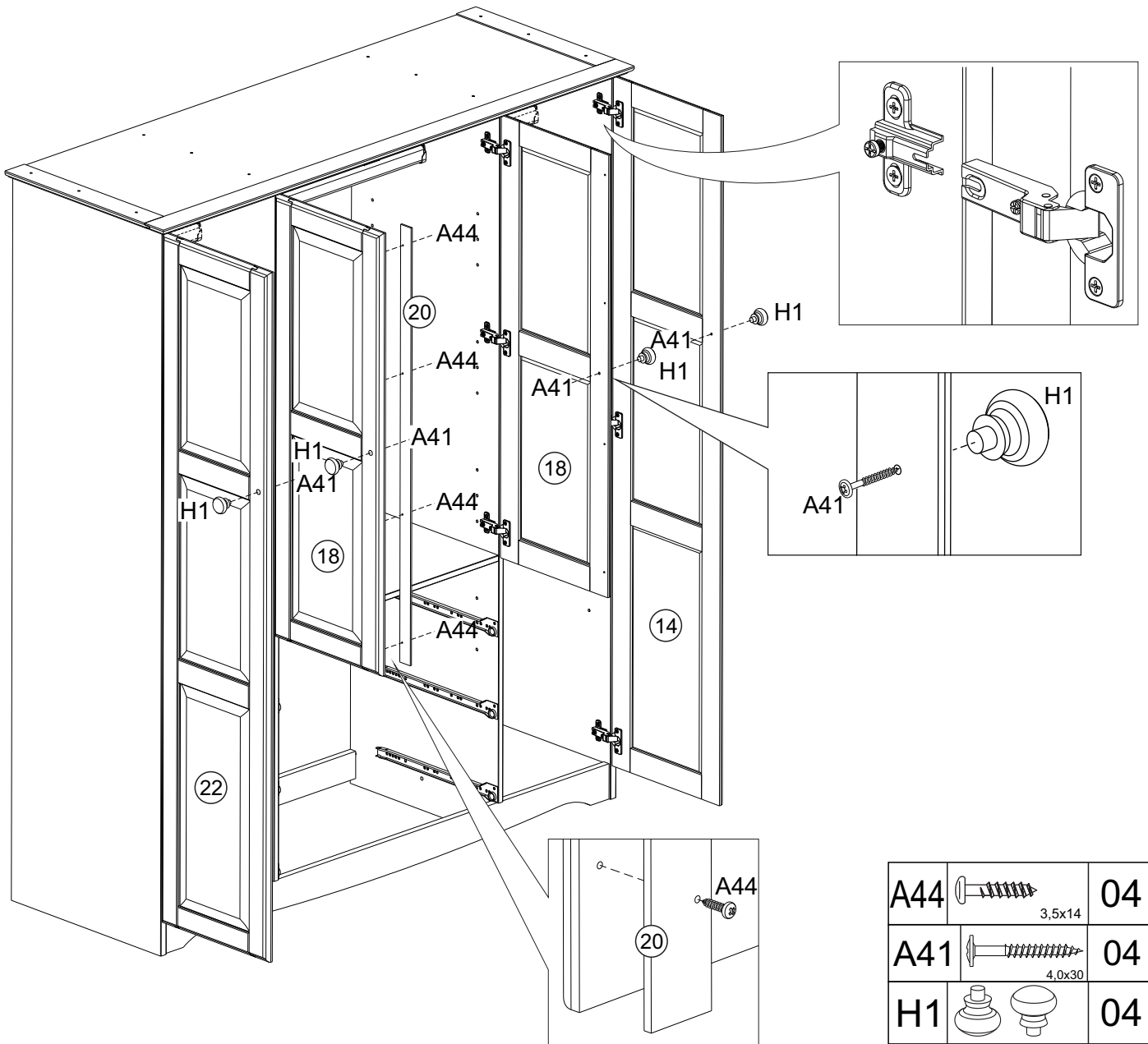
11)

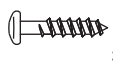
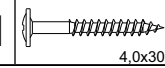
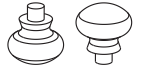


A44	 3,5x14	24	F4		12
-----	---	----	----	---	----

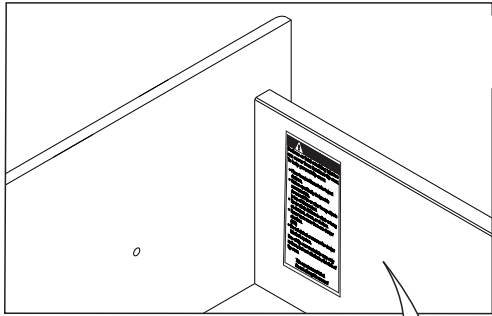
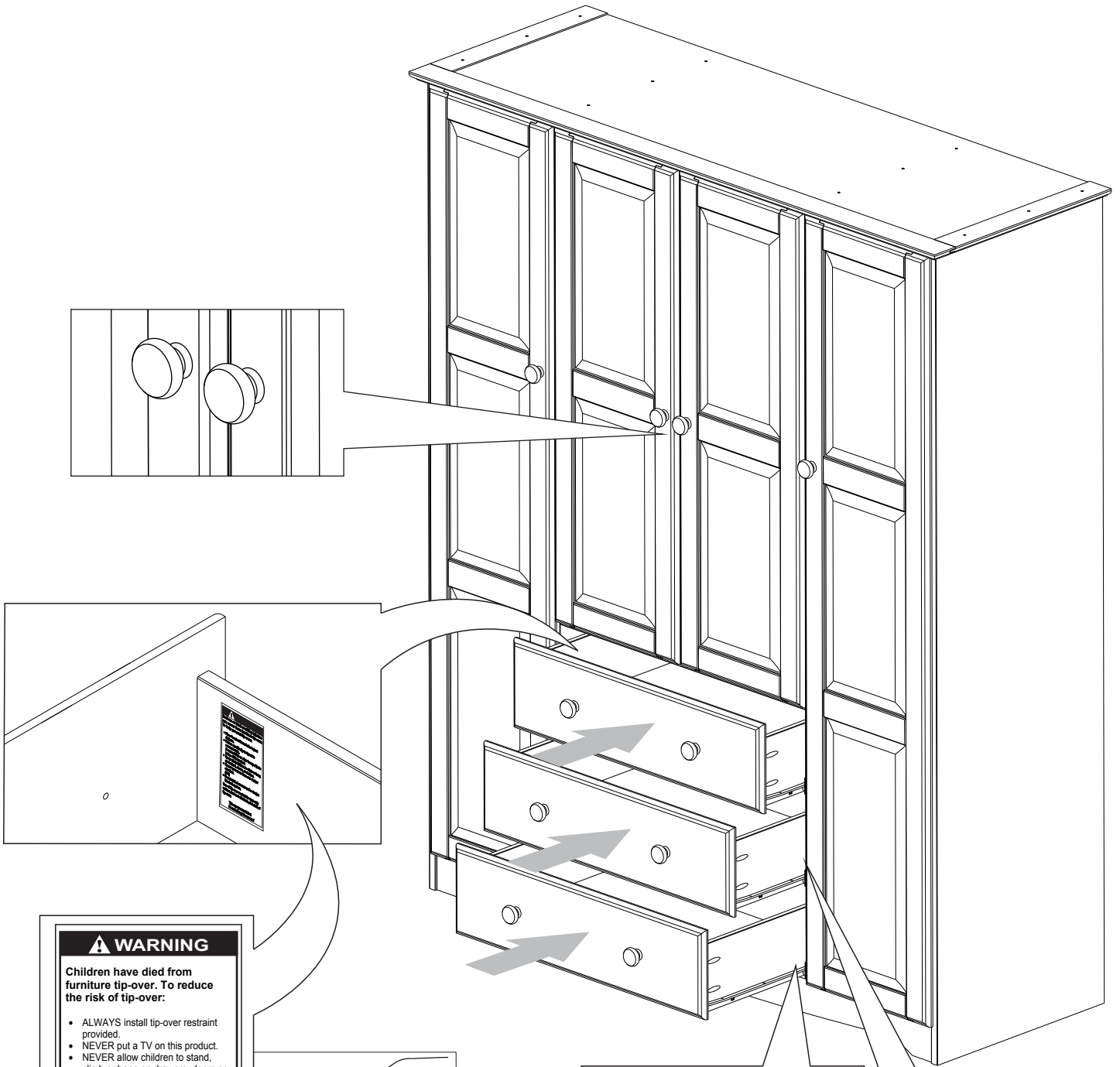


12)



A44	 3,5x14	04
A41	 4,0x30	04
H1		04

13)



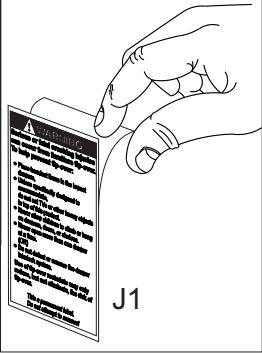
**WARNING**

Children have died from furniture tip-over. To reduce the risk of tip-over:

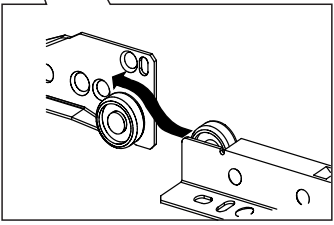
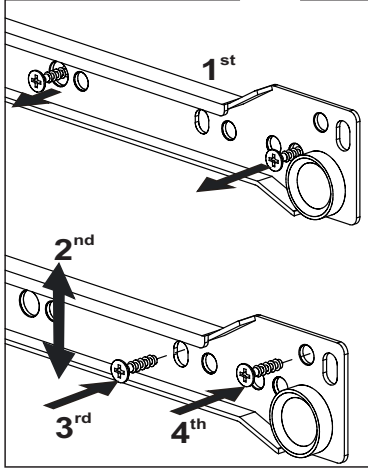
- ALWAYS install tip-over restraint provided.
- NEVER put a TV on this product.
- NEVER allow children to stand, climb or hang on drawers, doors or shelves.
- NEVER open more than one drawer at a time.
- Place the heaviest items in the lowest drawers.

Use of tip-over restraints may only reduce, but not eliminate, the risk of tip-over.

*This is a permanent label. Do not remove!*

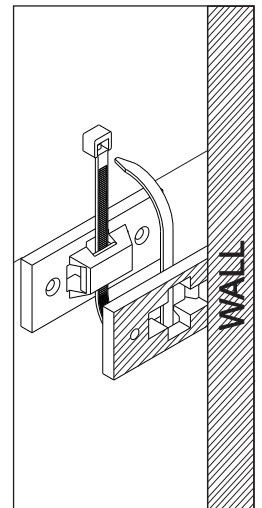
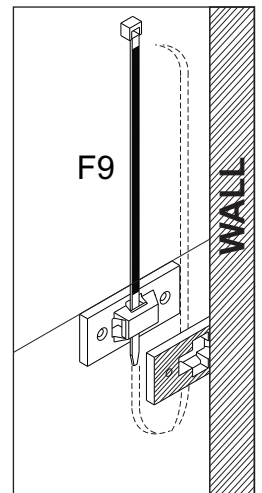
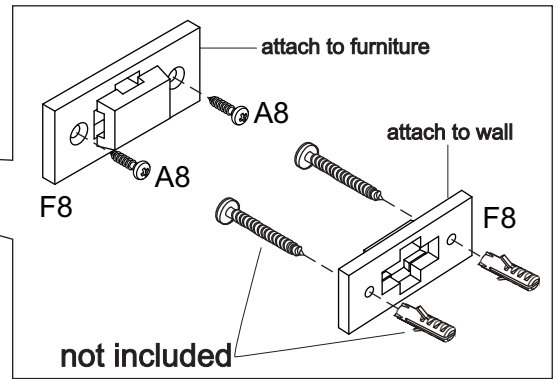
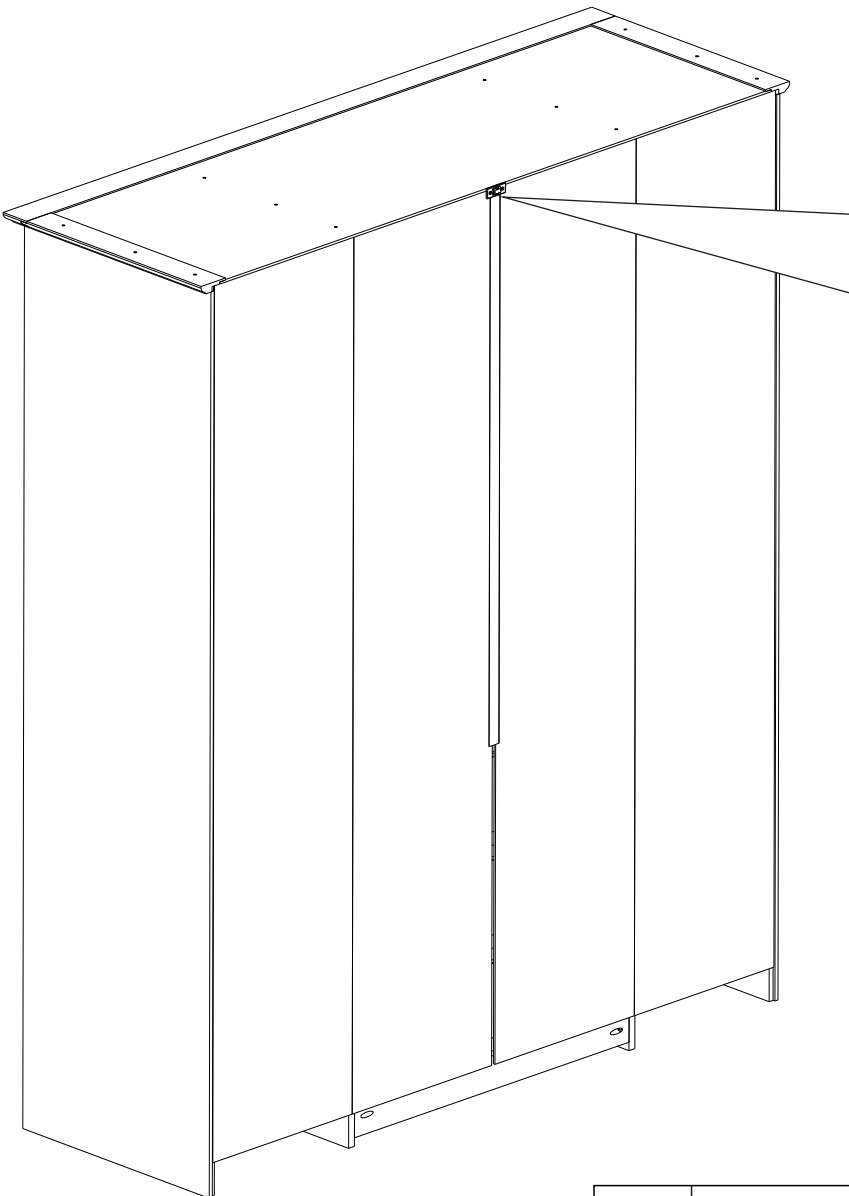
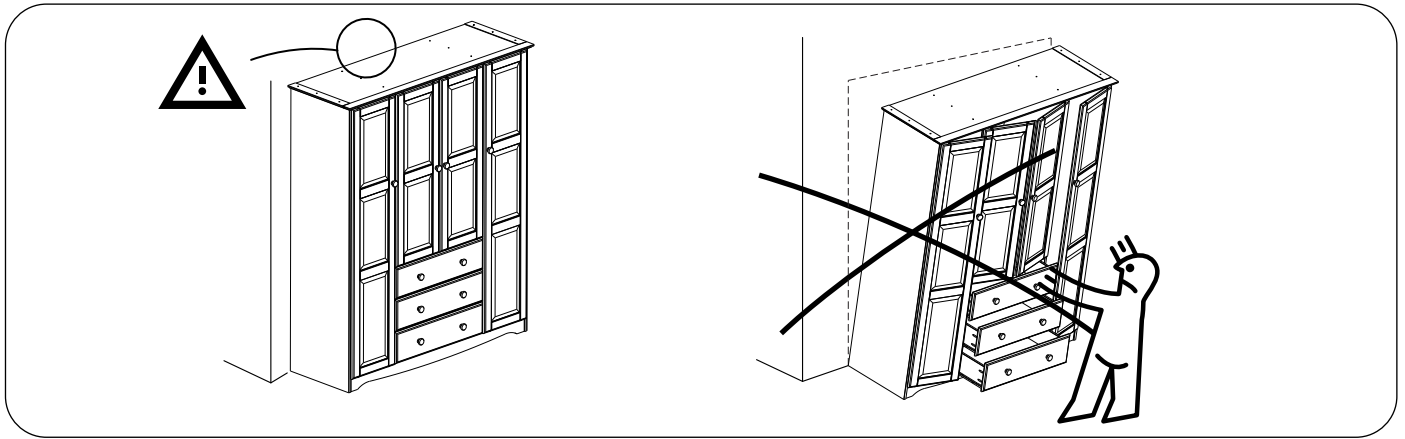


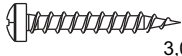
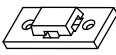

Attach the warning label to the upper drawer of the wardrobe as shown.



Metal glides can be adjusted if needed as shown in the sequence of steps 1 through 4

15)



A8	 3,0x20	02
F8		02
F9		01