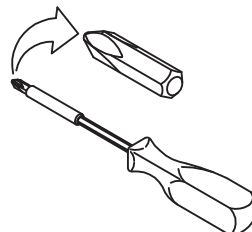
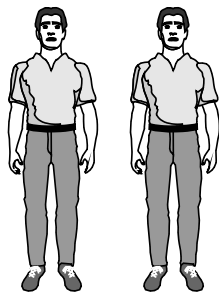
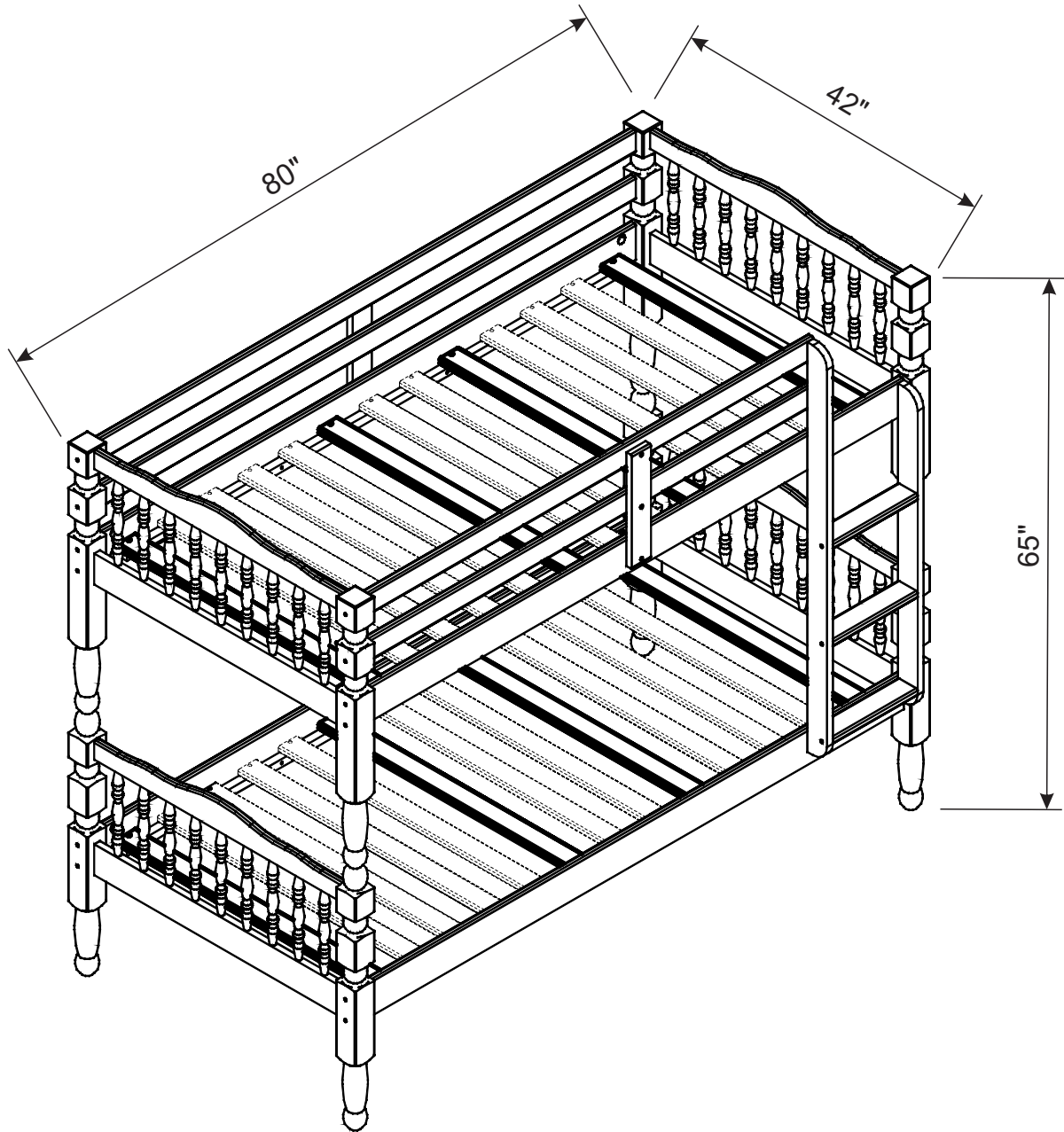


ASSEMBLY INSTRUCTIONS

BUNK BED

Mahogany
Honey Pine

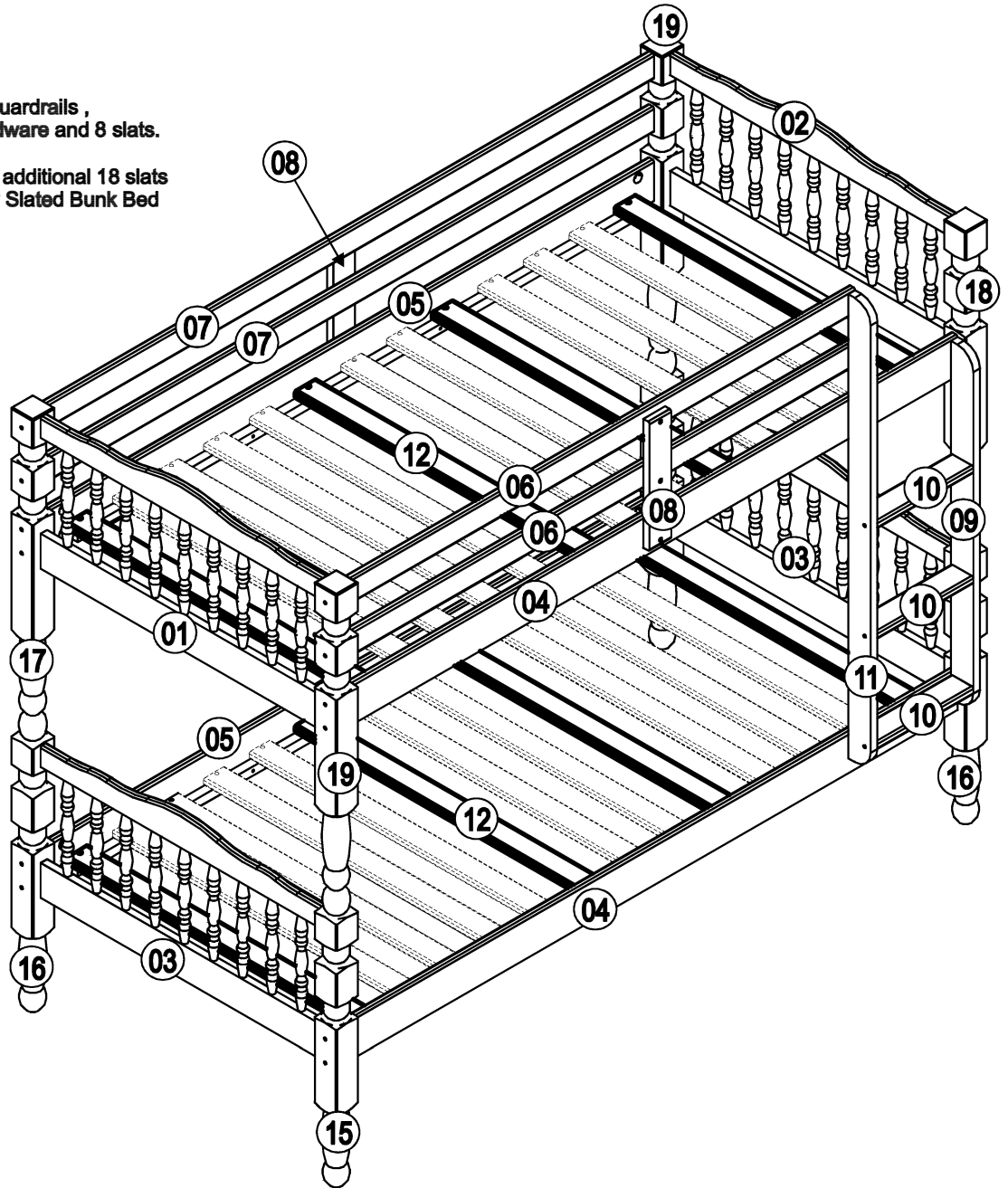


IMPORTANT:

- Take your time, read all instructions first then follow each step as numbered and described
- Power tools are not recommended for assembling your furniture
- Give yourself plenty of room to work
- Due to the size of this bed, it must be assembled within the space it will occupy
- The assembly will require at least two people to complete
- Make sure all fasteners are tight

CARTONS REQUIRED:

- CARTON 1/3 bed ends
- CARTON 2/3 posts
- CARTON 3/3 Side Rails, Guardrails , guardrail bears, ladder , hardware and 8 slats.
- OPTIONAL CARTON -with additional 18 slats
Is required for having a Fully Slated Bunk Bed



PARTS LIST (SEPARATE PARTS OF BUNK BED ACCORDING TO NUMBERING):

NR		QUANTITY	BOX
(1,2,3)	Bed end	1/1/2	1 of 3
(15,16)	Post	2/2	2 of 3
(17,18,19)	Post	1/1/2	2 of 3
(6,7)	Guard rails	2/2	3 of 3
(8)	Guardrails bears	2	3 of 3
(9,10,11)	Ladder	1/3/1	3 of 3
(12)	Slats	8	3 of 3
	Hardware (dowels, screws, bolts, etc)	1	3 of 3

READ THESE INSTRUCTIONS CAREFULLY BEFORE ATTEMPTING TO ASSEMBLE THIS BED

Safety Warnings and General Notes:

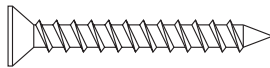
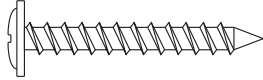

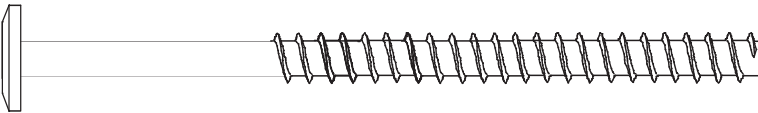

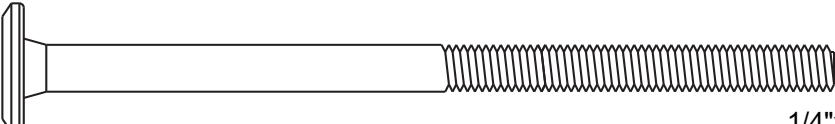
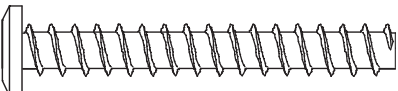
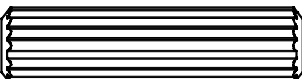
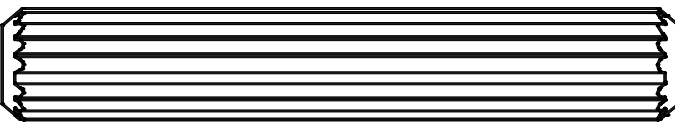



- Follow the information on the warnings appearing on the upper bunk end structure and on the carton. Do not remove warning label from bed.
- Always use the recommended size mattress or mattress support, or both, to help prevent the likelihood of entrapment or falls. (See Mattress specifications below)
- The top Surface of mattress must be at least 5 in. (127 mm) below the upper edge of guardrails.
- Do not allow children under 6 years of age to use the upper bunk.
- Periodically check and ensure that the guardrail,ladder, and other components are in their proper position, free from damage, and that all connectors are tight.
- Do not allow horseplay on or under the bed and prohibit jumping on the bed.
- Always use the ladder for entering and leaving the upper bunk.
- Do not use substitute parts. Contact the manufacturer or dealer for replacement parts.
- Use of a night light may provide added safety precaution for a child using the upper bunk.
- Always use guardrails on both long sides of the upper bunk. If the bunk bed will be placed next to the wall, the guardrail that runs the full length of the bed should be placed against the wall to prevent entrapment between the bed and wall.
- The use of water or sleep flotation mattresses is prohibited.
- STRANGULATION HAZARD – Never attach or hang items to any part of the bunk bed that are not designed for use with the bed; for example, but not limited to, hooks, belts and jump ropes.
- Keep these instructions for future reference.

**Replacement parts, including additional guardrails,
may be obtained from any of our Benfatto Industries dealers.**

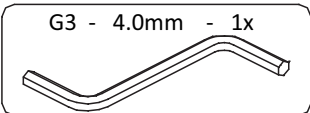
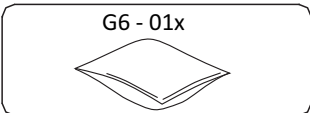
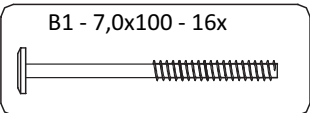
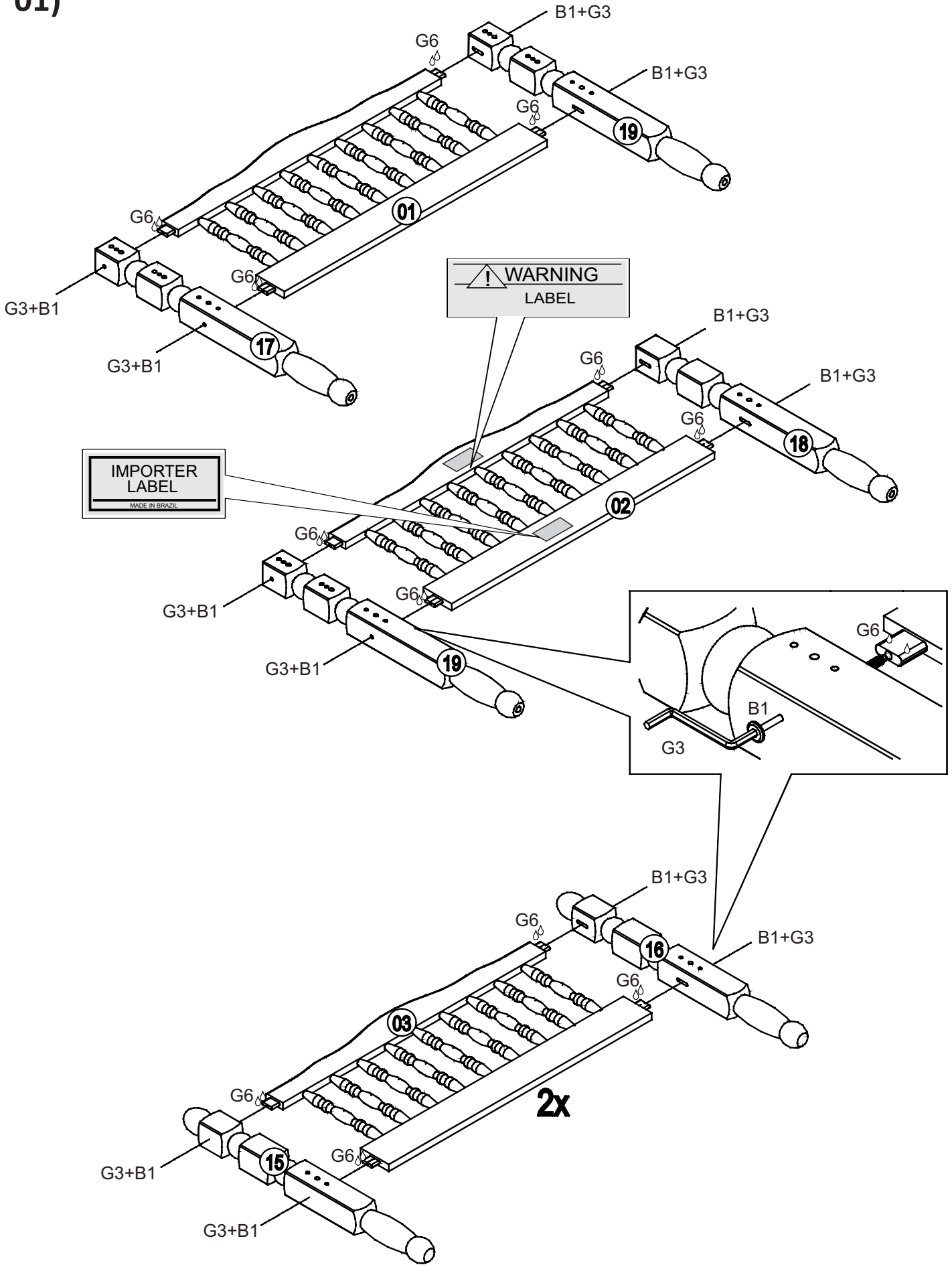
Upper Bed Mattress Specifications:

- Only use a mattress that is 74' - 75" long and 37 1/2" - 38 1/2" wide on the upper bunk
- Ensure thickness of mattress and foundation/bunkie combined does not exceed 8 1/2"

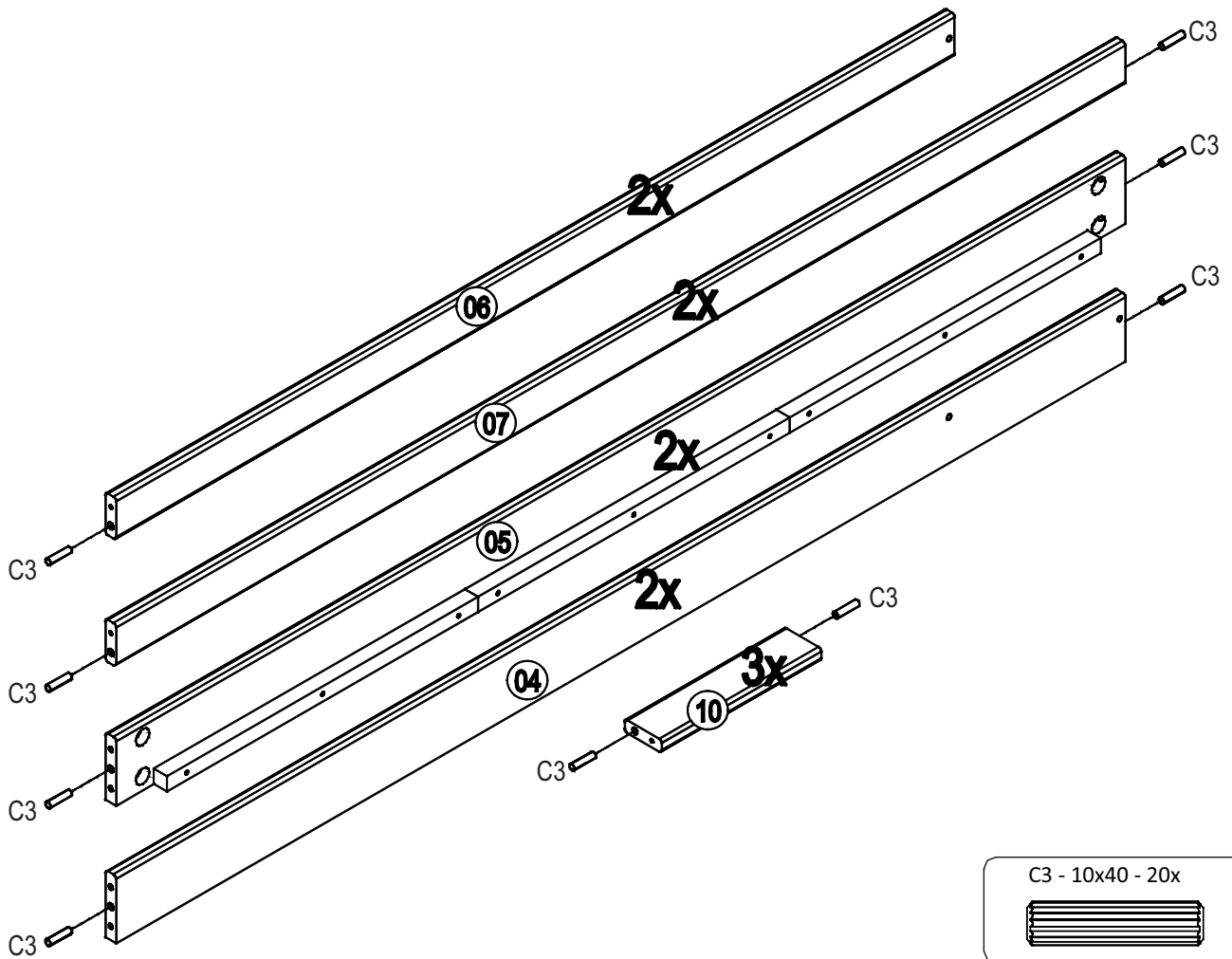
HARDWARE IS SHOWN IN ACTUAL SIZE

A12		4,0x35	52
A13		4,0x35	06
A18		4,0x25	08
B1		7,0x100	22
B5		1/4"	16
B7		1/4"x110	16
B8		7,0x50	12
C3		10x40	20
C5		15x90	04
G3			01
G4	 space block		02
G6		20gr	01

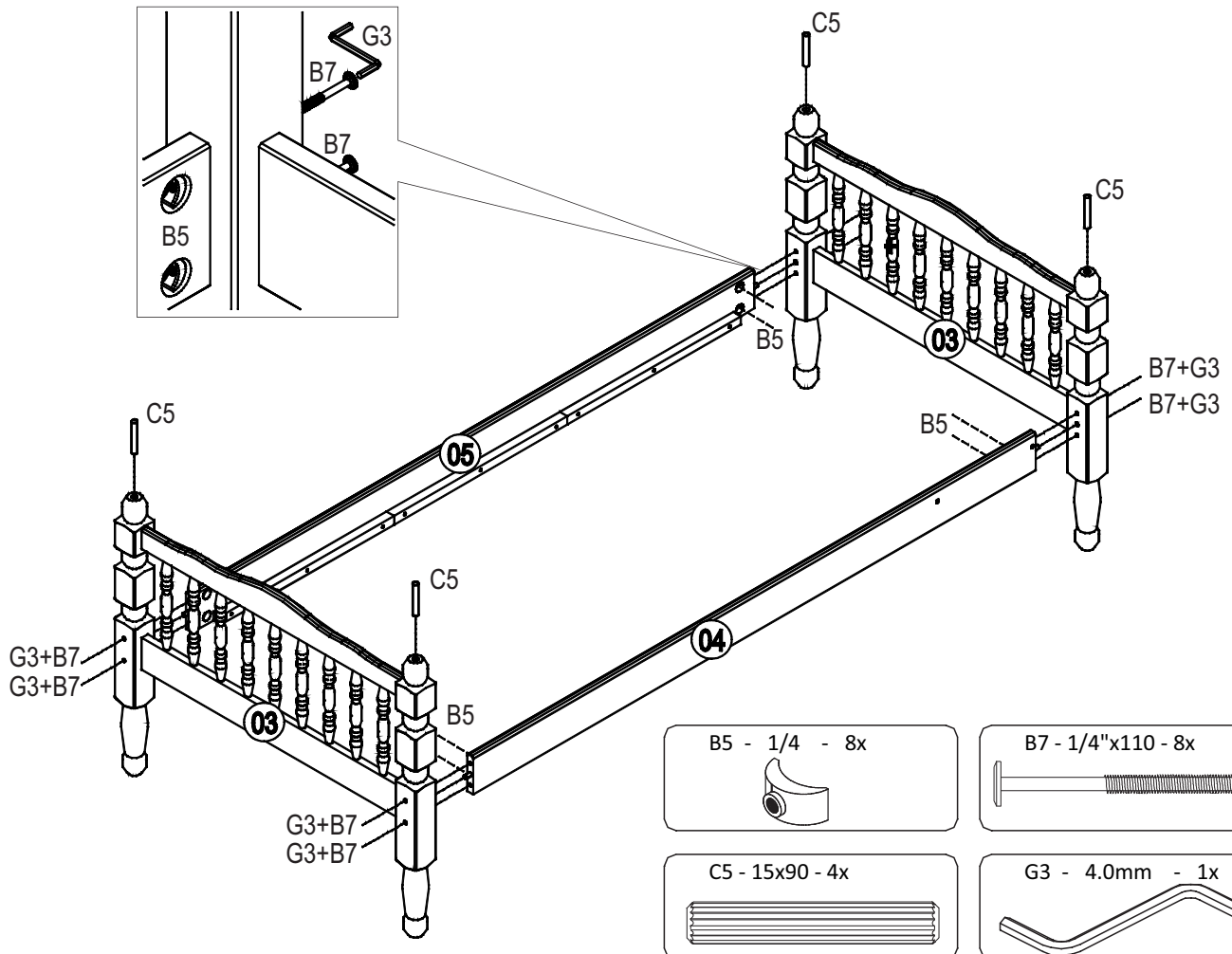
01)



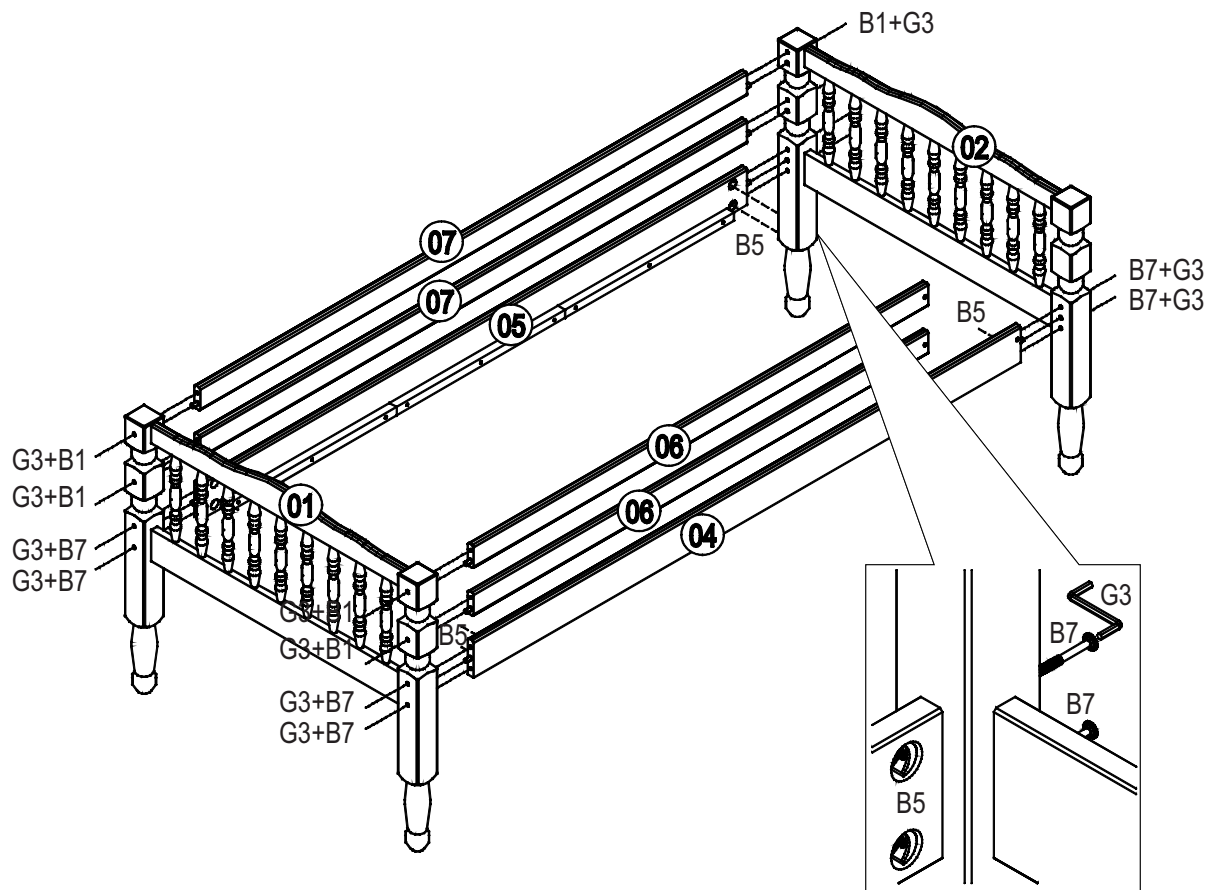
02)



03)



04)



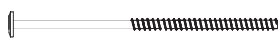
B5 - 1/4 - 8x



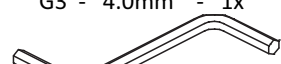
B7 - 1/4"x110 - 8x



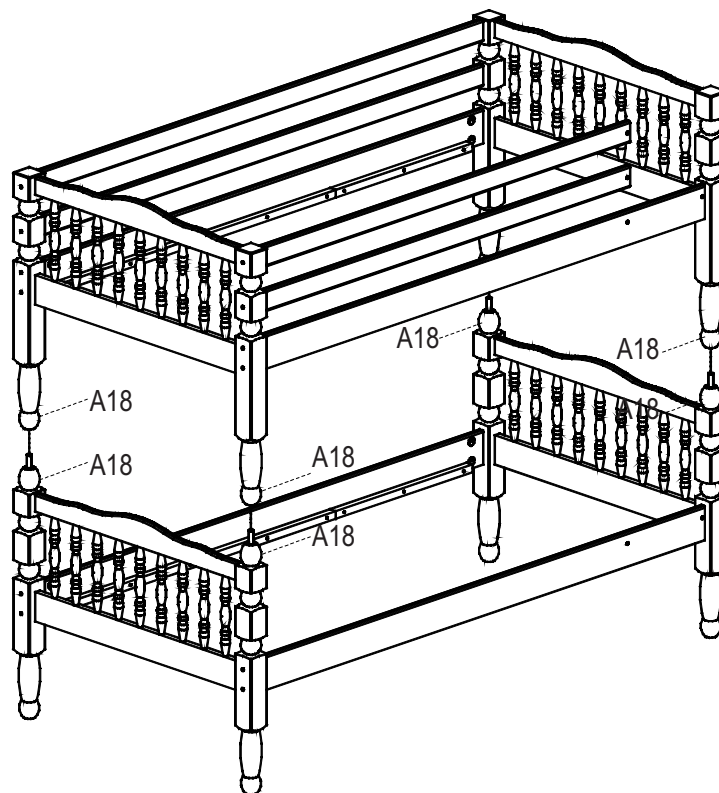
B1 - 7,0x100 - 6x



G3 - 4.0mm - 1x



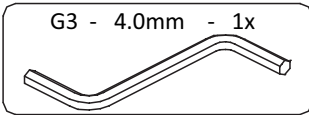
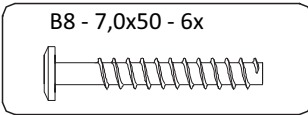
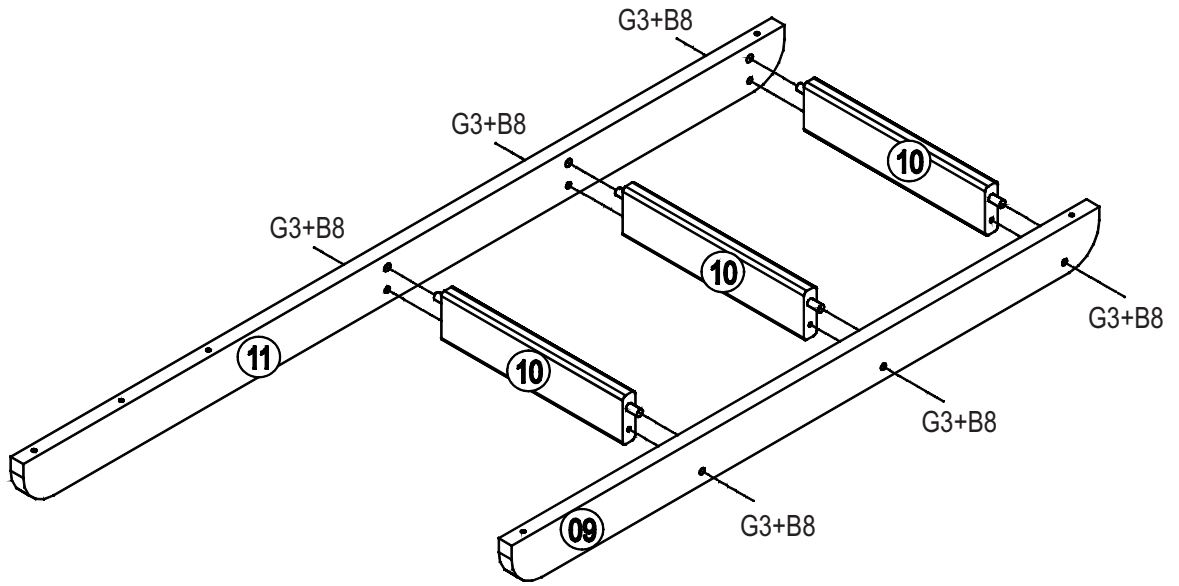
05)



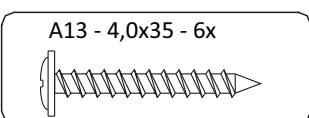
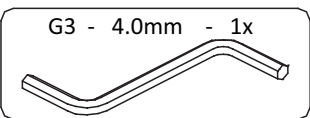
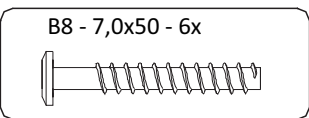
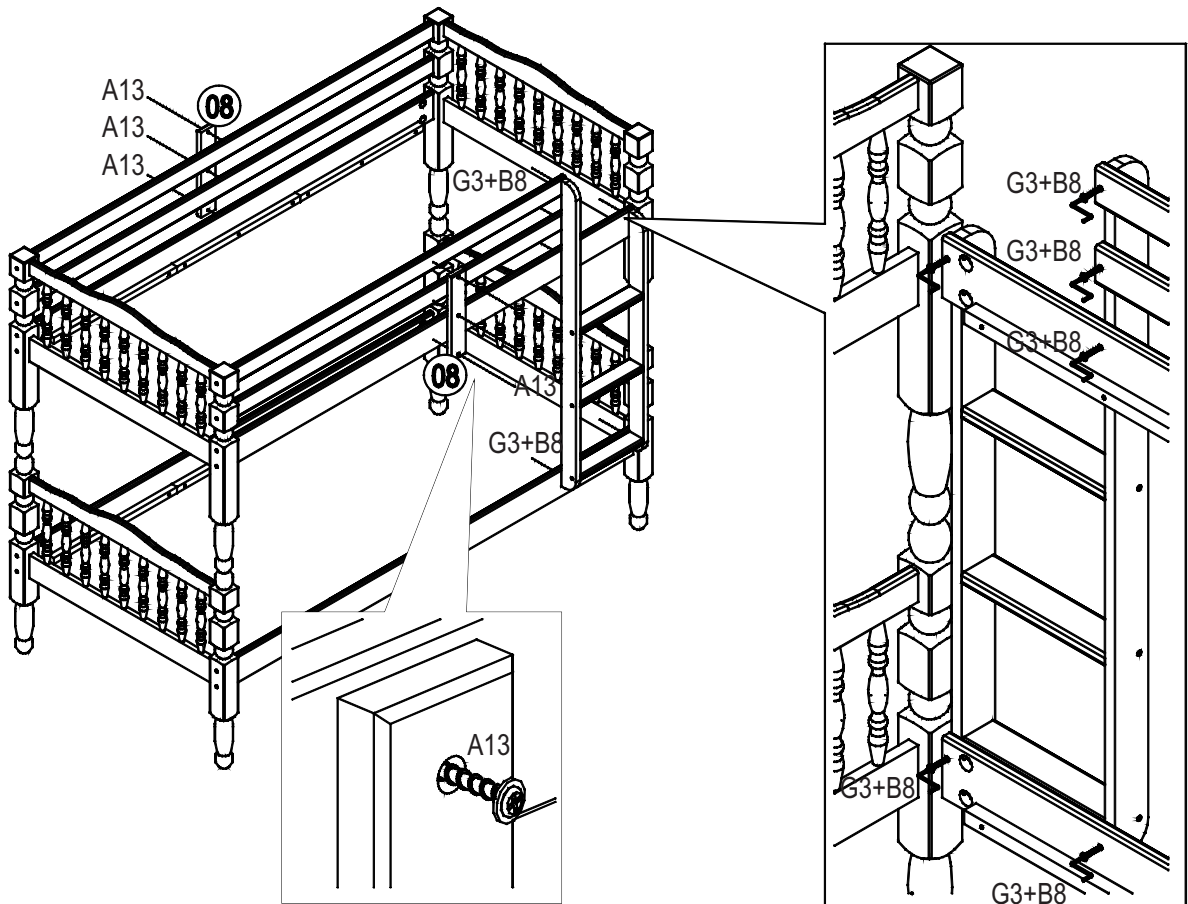
A18 - 4,0x25 - 8x



06)



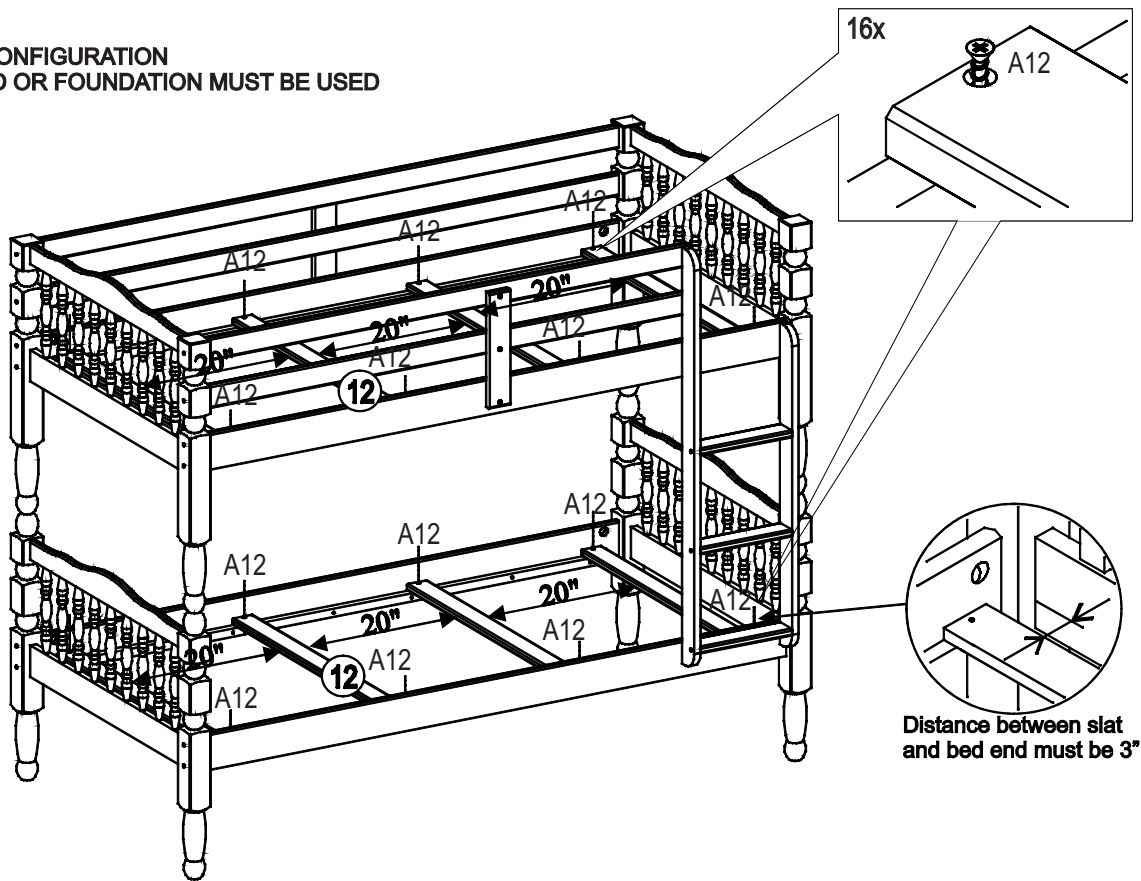
07)



08)

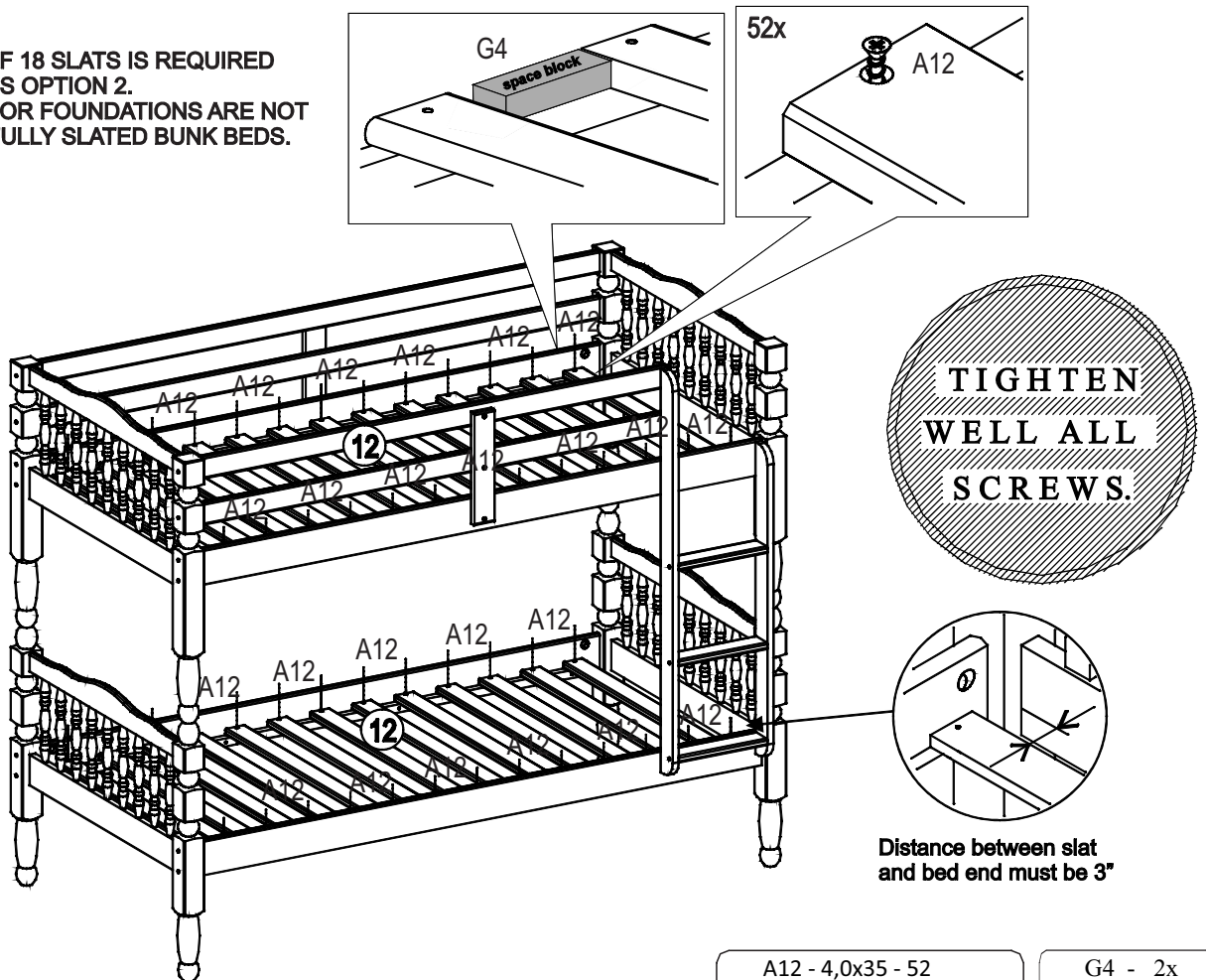
option 01

BASE SLATS CONFIGURATION
BUNKIE BOARD OR FOUNDATION MUST BE USED



option 02

ADDITIONAL SET OF 18 SLATS IS REQUIRED
TO PERFORM THIS OPTION 2.
BUNKIE BOARDS OR FOUNDATIONS ARE NOT
REQUIRED FOR FULLY SLATED BUNK BEDS.



A12 - 4,0x35 - 52



G4 - 2x

