

MIRRORED ACCENT TABLE

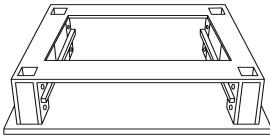
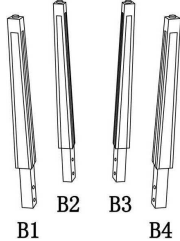
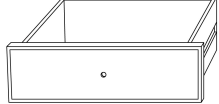
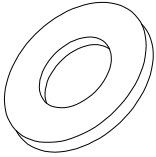
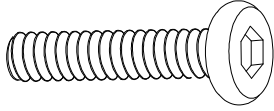


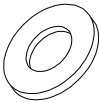

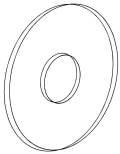
Assembly Instructions



MIRRORED ACCENT TABLE

Parts List

Please review all parts and hardware before disposing of any packaging.
 Call Customer Service if missing hardware. Using a screw that is too long will cause damage. Before beginning assembly, separate each type of screw. Carefully study the screw diagrams below.

<p>A Quantity Of 1</p>  <p>Table Frame</p>	<p>B1/B2/B3/B4 Quantity Of 4</p>  <p>Leg</p>	<p>C Quantity Of 1</p>  <p>Drawer</p>
<p>1 Quantity Of 8</p>  <p>Big Flat Washer</p>	<p>2 Quantity Of 8</p>  <p>Hex-head bolt</p>	<p>3 Quantity Of 1</p>  <p>Allen Wrench</p>
<p>4 Quantity Of 1</p>  <p>Knob</p>	<p>5 Quantity Of 1</p>  <p>Small Flat Washer</p>	<p>6 Quantity Of 1</p>  <p>Small Bolt</p>
<p>7 Quantity Of 1</p>  <p>Plastic Washer</p>		

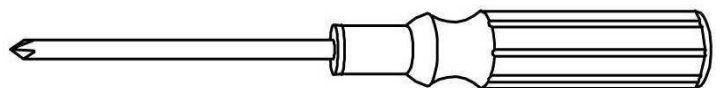
Care and Cleaning Instructions:

Before using, wipe with a clean, dry cloth.
 Avoid rubbing or scratching the surface with rough or abrasive objects.

For replacement parts or questions, please call Customer Service for assistance, questions or parts.

Assembly Tool Required
No.2 Phillips Screwdriver

Not Included



MIRRORED ACCENT TABLE

Assembly Instructions

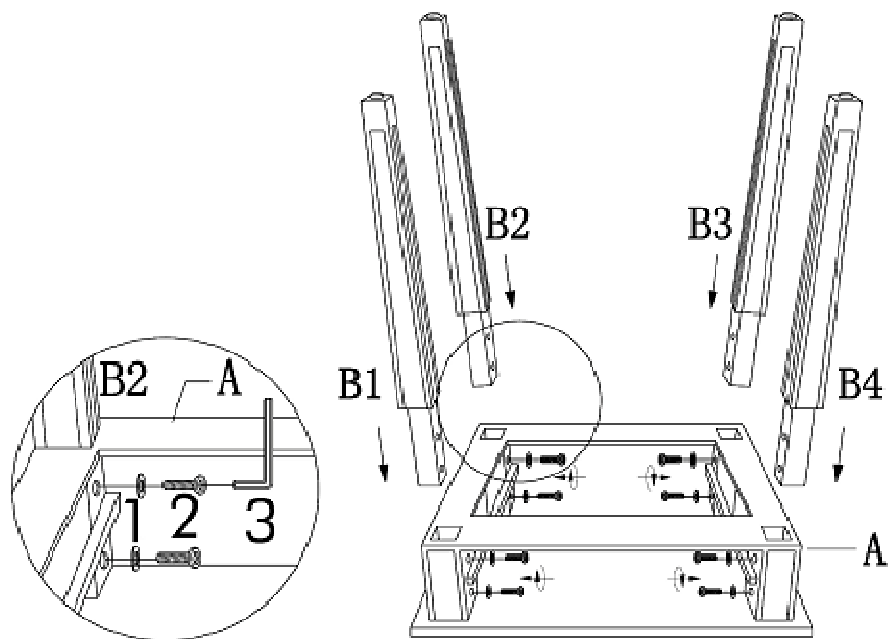


Figure 1

Assembly Instructions:

Be careful when assembling. Do not scratch.

Step 1 Unpack and lay parts on clean, padded surface like carpet or blanket. Check that you have all parts indicated on the front page.

Step 2 Attach legs (B1,B2,B3,B4) to Table Frame (A) using bolt (2) with washer(1). Tighten bolts with Allen wrench (3).

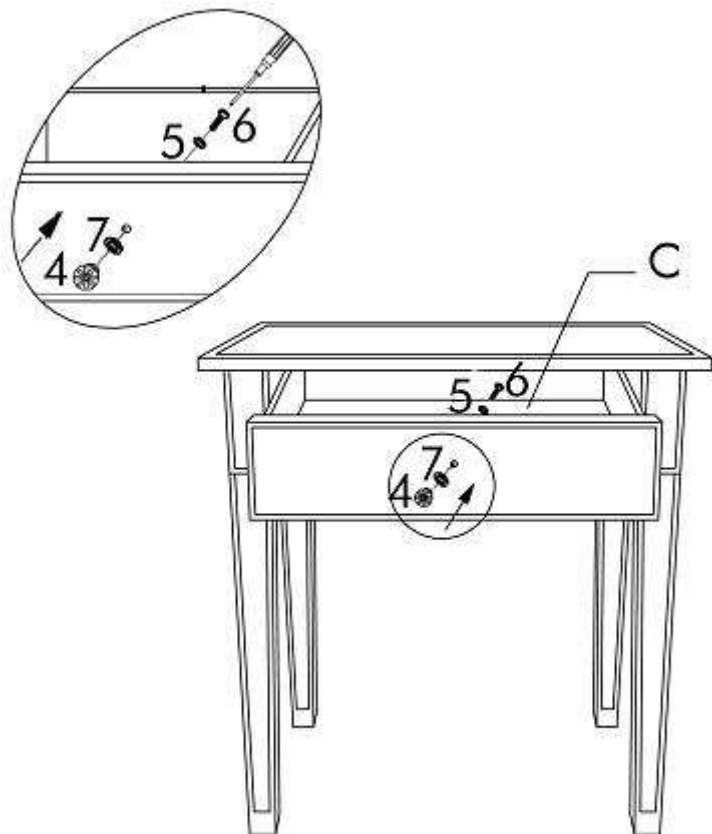


Figure 2

Step 3 Insert drawer (C) to the assembled unit.

Step 4 Attach Knob (4), Plastic Washer (7) to the front panel of drawer (C) using Small Bolts (6) and Small Washer (5). Tighten with screwdriver (not included) as shown in figure 2.

Now your new accent table is ready to use.

Parts Replacement Form

Customer Information

Name

Address

City/State/Zip Code

Phone Number

Please indicate where you purchased this item: Store/Website/Catalog

Please indicate color/size/style number:

Style No

Parts Letter

Parts Description

Quantity Needed

Please immediately examine this product carefully.