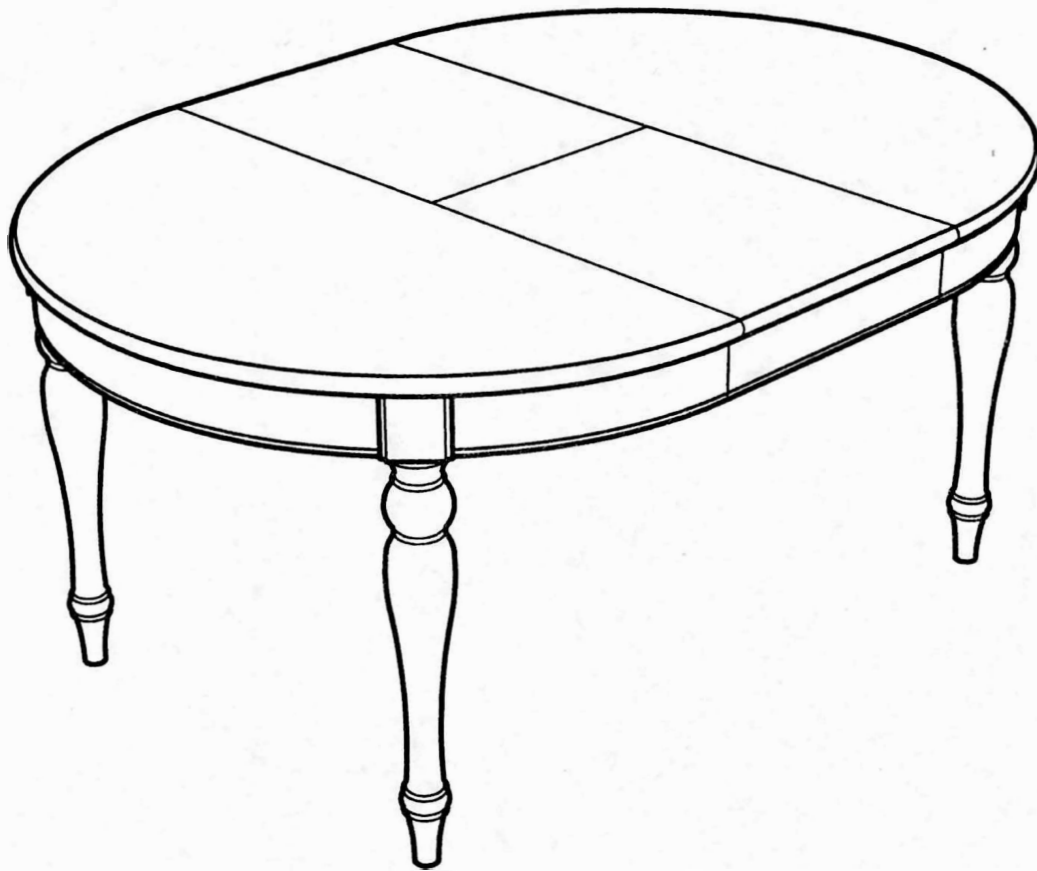
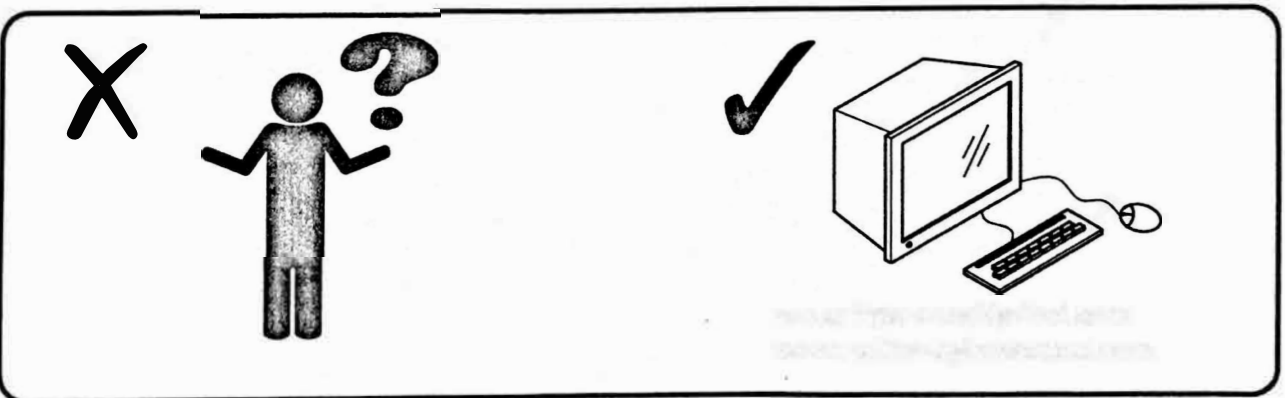
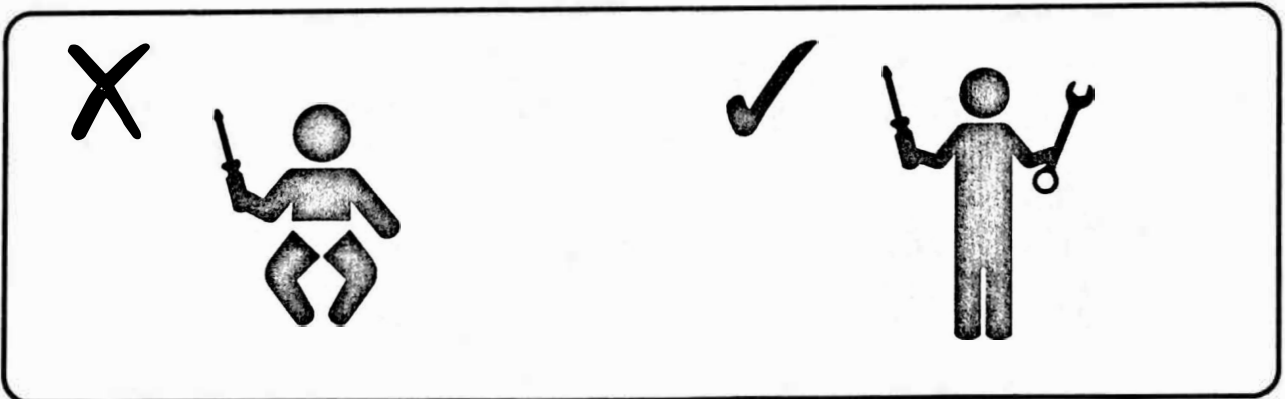
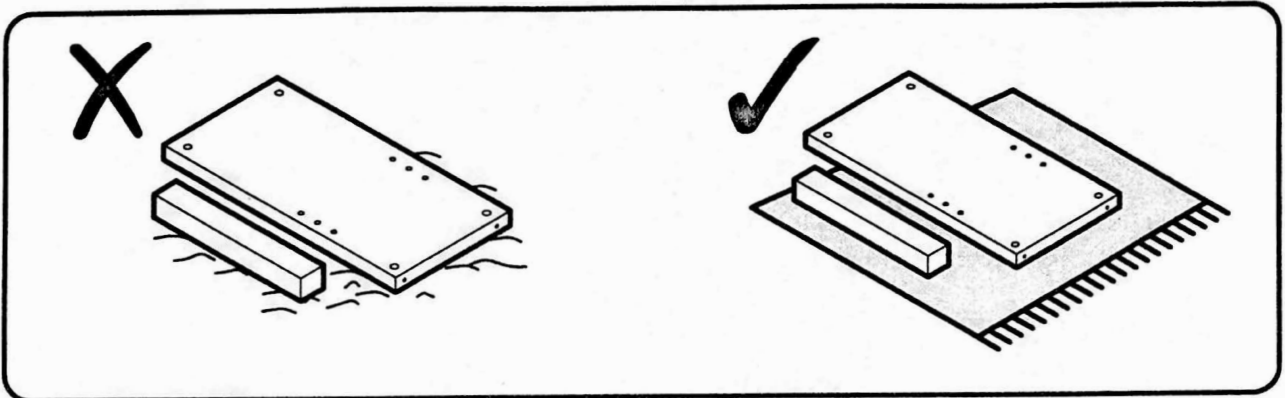
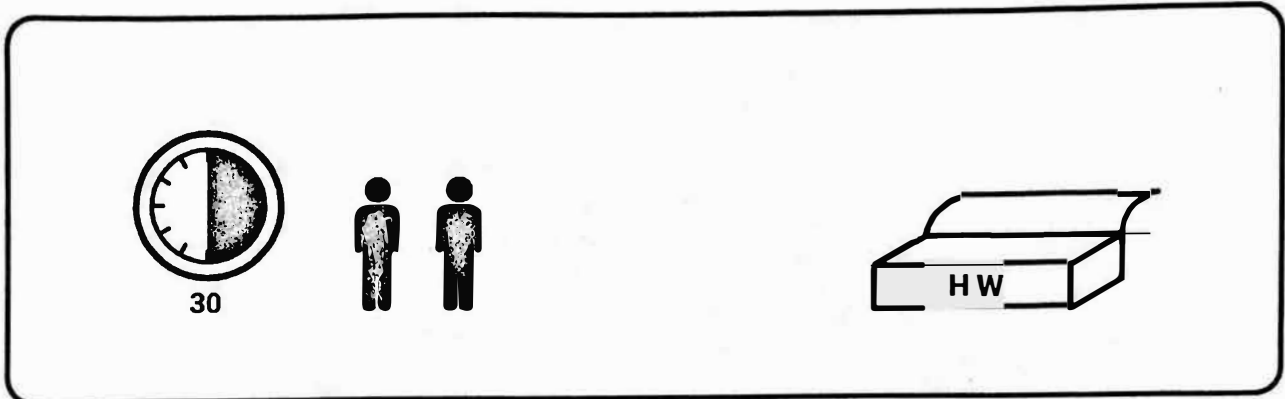
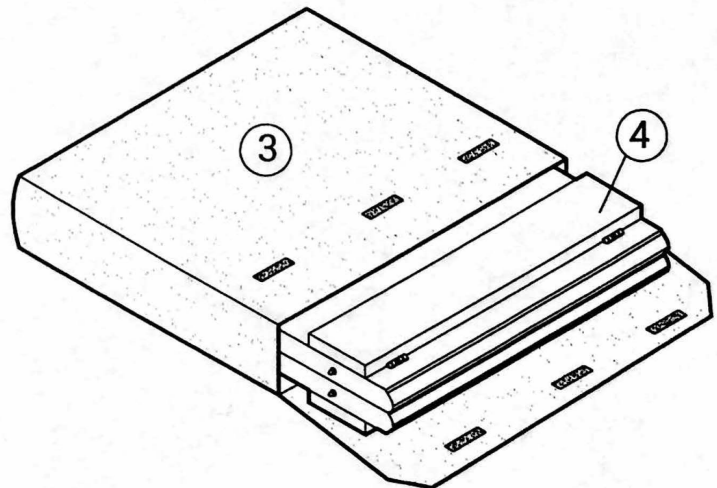
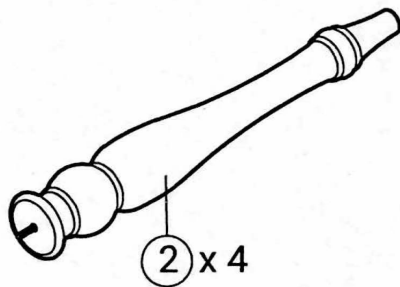
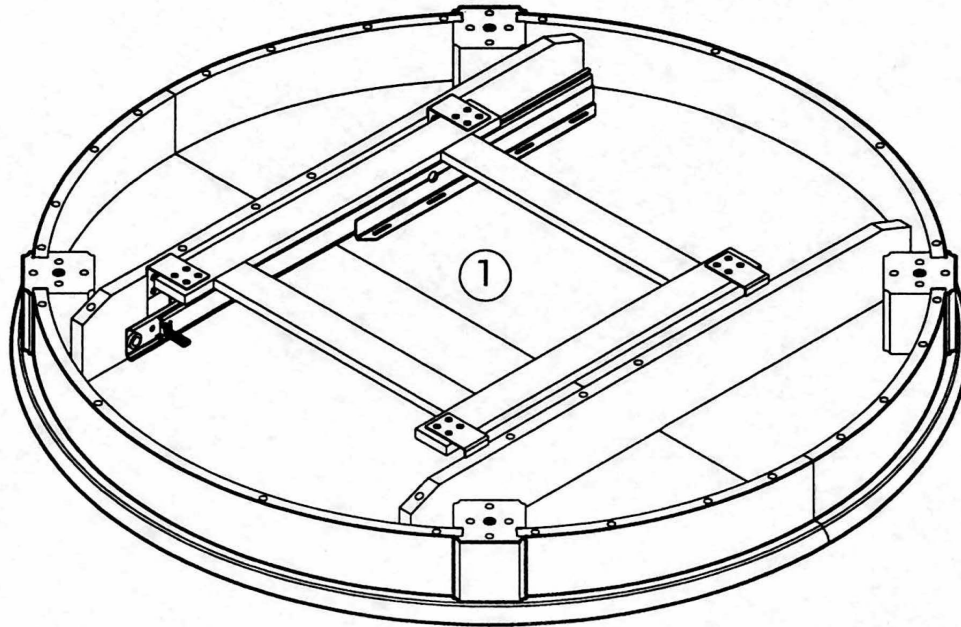


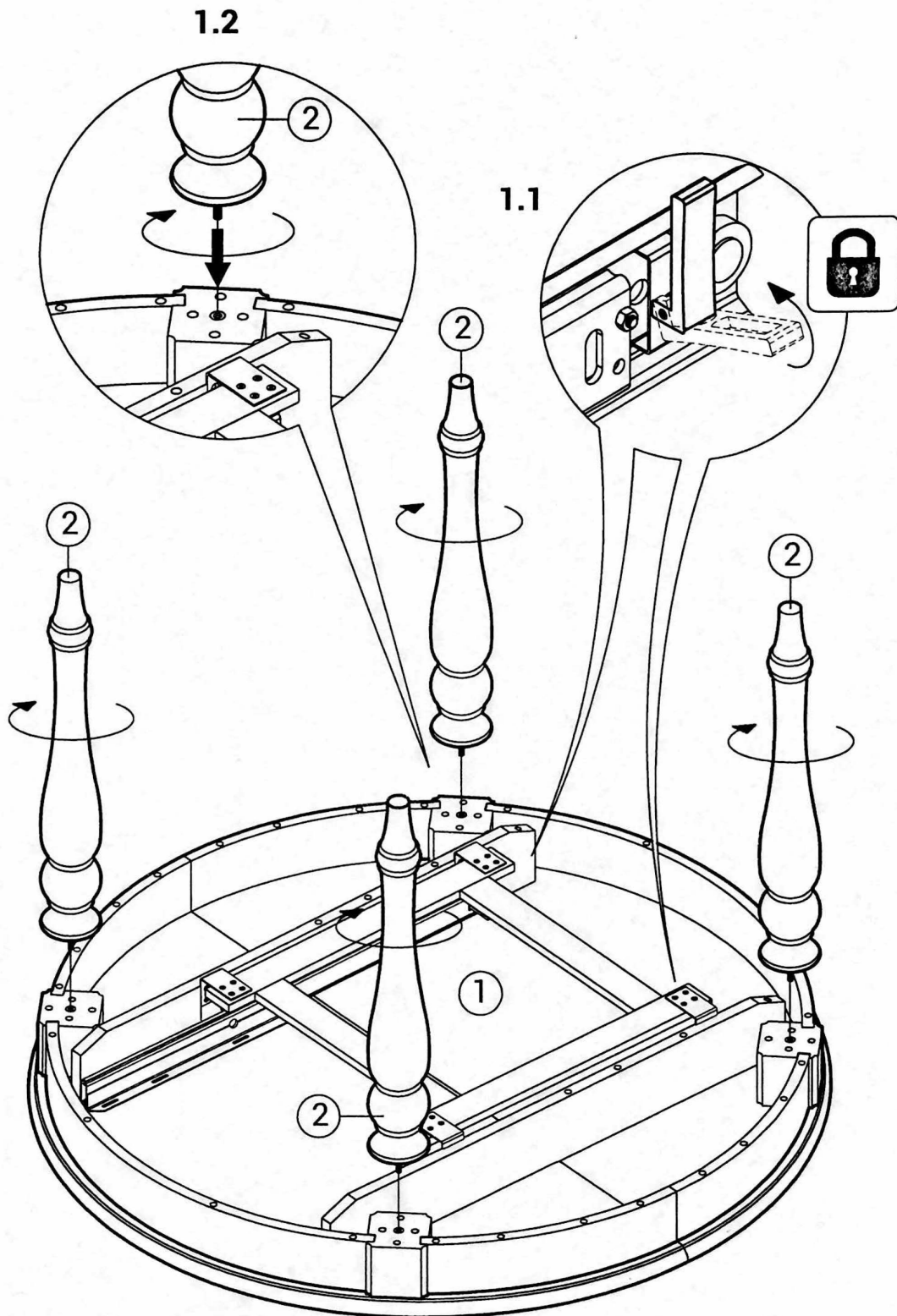
**Vegas dining table**



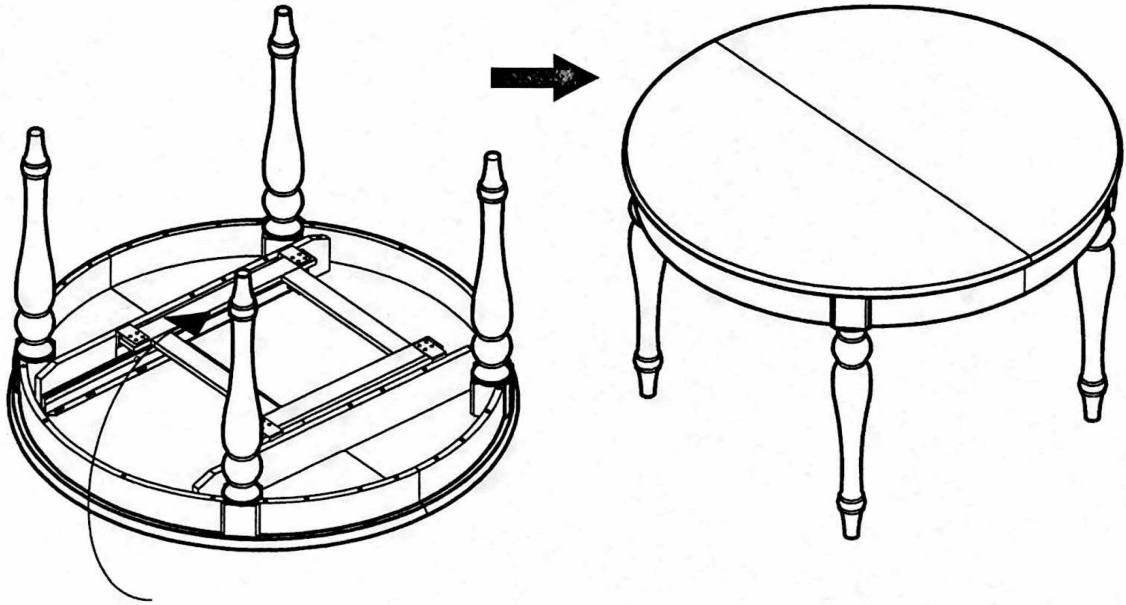




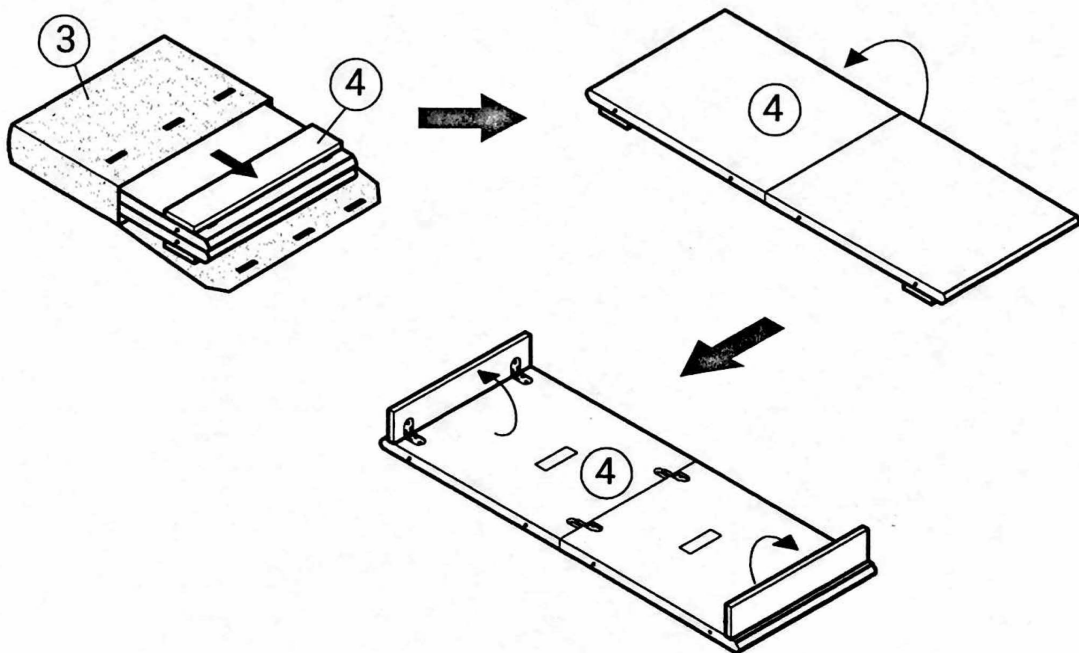
1



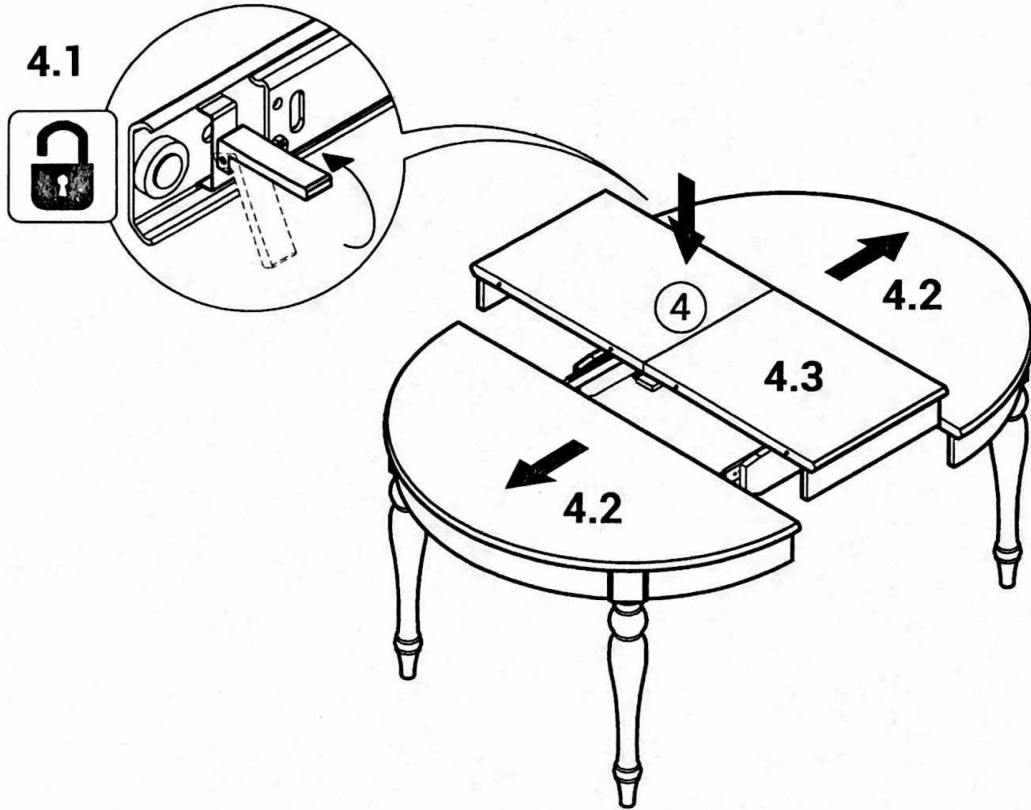
2



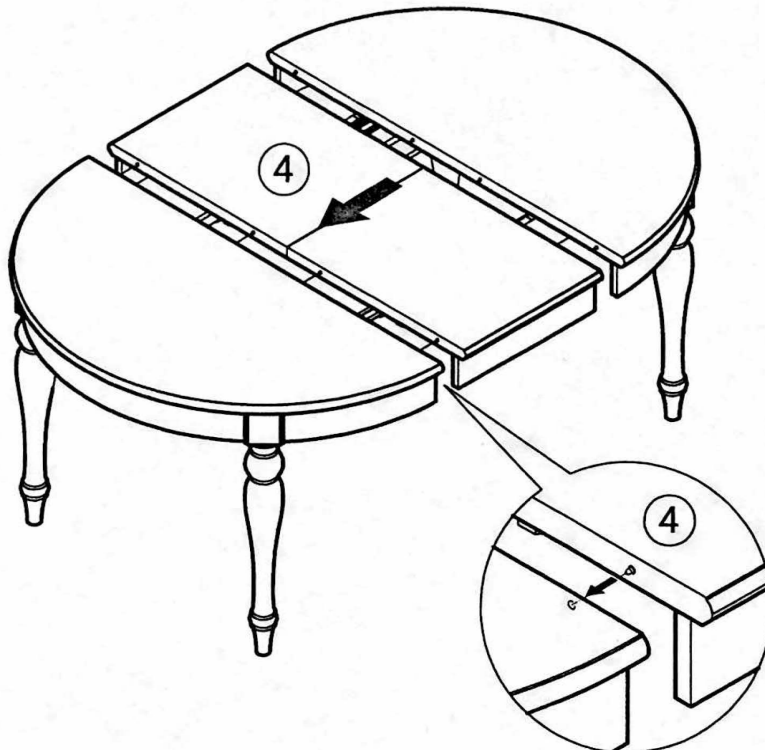
3



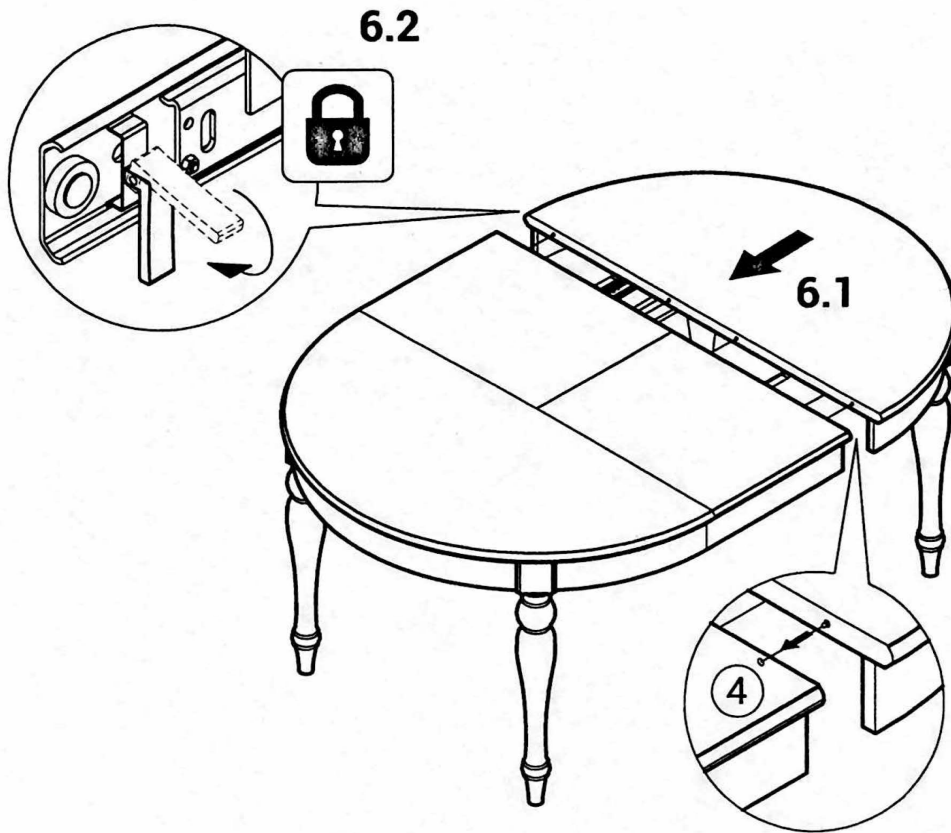
4



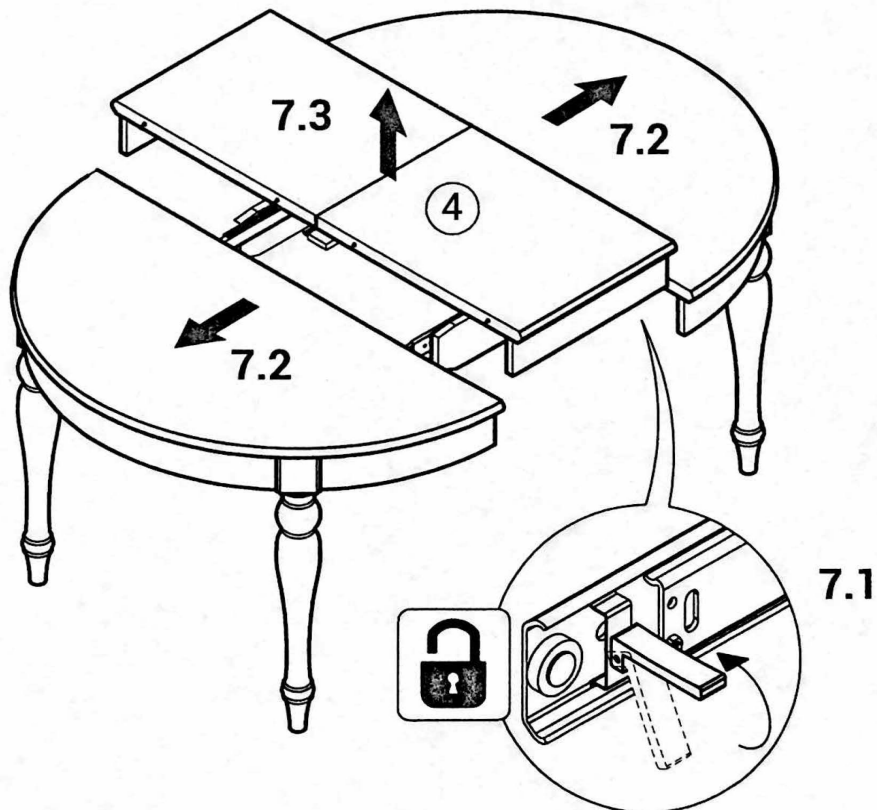
5



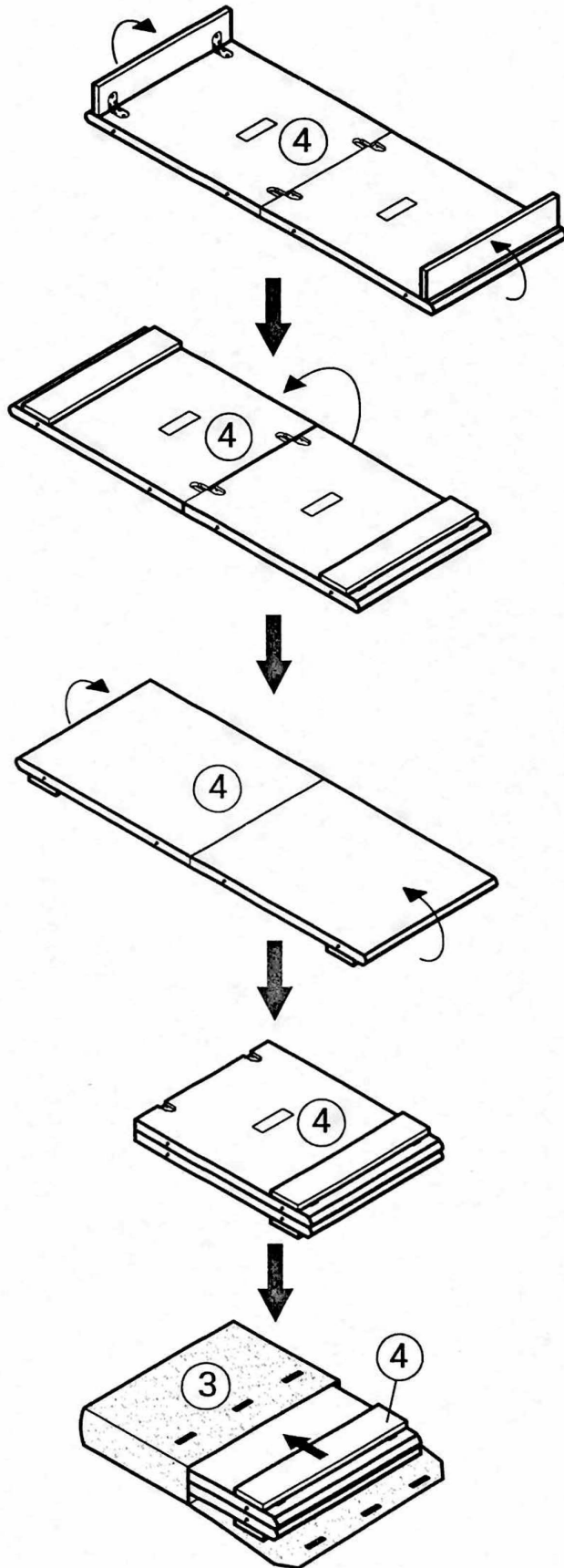
6



7



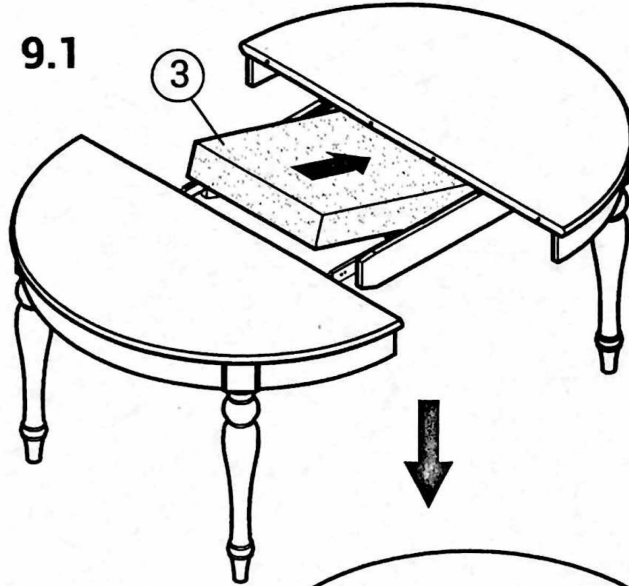
8



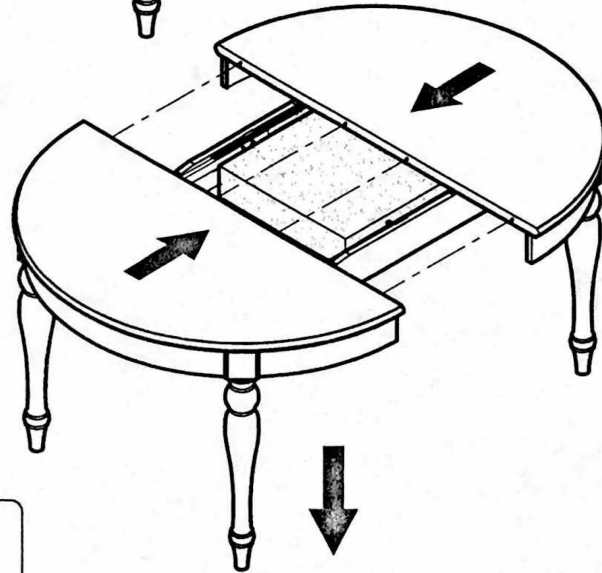


9

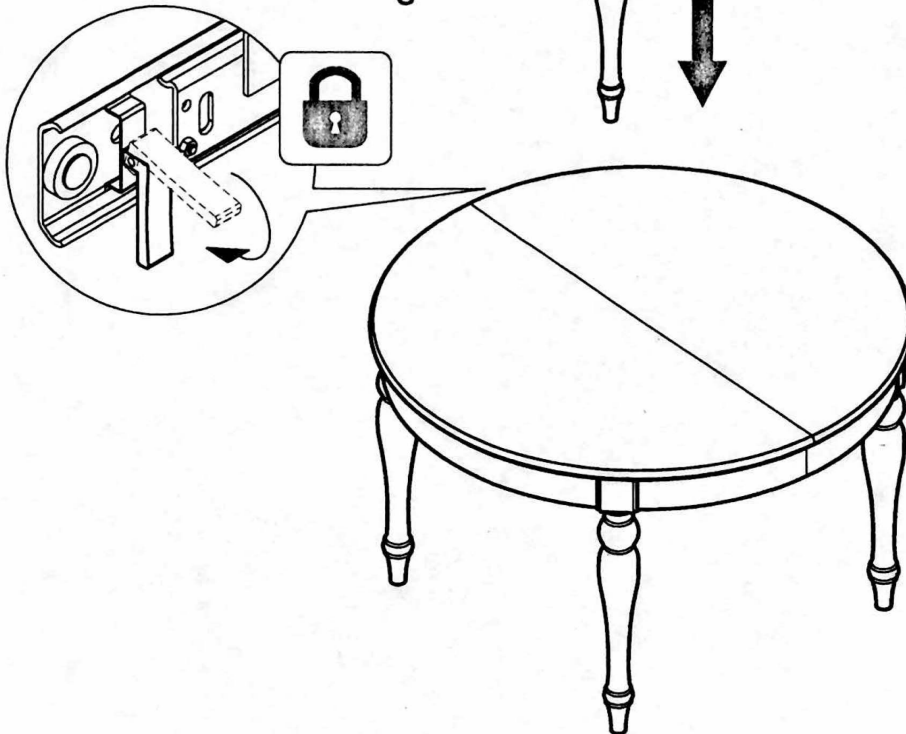
9.1



9.2



9.3



# GENERAL CARE FOR WOODEN FURNITURE

(Please keep these guidelines for future reference)

**"This furniture is made from wood & wood veneers. These natural unique materials exhibit variations in color, patterns and grain. These variations define the beauty of the product."**

## **Following these basic steps will help you protect your furniture and increase its longevity:**

### **1. Do not use abrasive detergents or powders. Dust with a clean, lint free cloth.**

- Frequent dusting will remove abrasive build up, which can damage a finish over time.
- Spray polishes are best avoided as they contain silicones which may spoil the furniture's surface when building up over time.

### **2. Do not expose your furniture to direct sunlight.**

- Excessive exposure to sunlight can cause fading of your furniture.
- Ornaments placed on the furniture surface should be periodically moved to avoid shading.

### **3. Never place household heating appliances or hot objects directly on any furniture surface.**

- Always place a heat resistant coaster between your furniture and a hot object to protect your furniture.

### **4. Do not place your furniture near a heater, heat, dampness or moisture generating appliance.**

- Extreme temperature and humidity changes can cause cracking and splitting.
- Some movement may be expected depending on environmental conditions.
- If the air is dry, some cracks may appear due to shrinkage. These should disappear when the moisture content increases.

### **5. Do not place rubber, cork, vinyl or plastic materials on the wood finish as chemicals within may react with the finish if left in contact for an extended period of time.**

### **6. Do not expose your furniture to any liquids.**

- All liquids should be wiped up immediately with a soft, slightly damp cloth in the direction of the wood grain. If sticky liquid residues do occur, they may be removed with a dilute solution of warm soapy water followed by a clean, damp sponge. The area should then be wiped immediately in the direction of the wood grain with a clean soft white cloth until completely dry.
- Nail polish remover, hairspray, perfume, potpourri & any other products that contains solvents can damage wood & upholstery finishes.

### **7. Please do not strike, hit or stand on furniture.**

- Furniture is designed and built for its intended purpose.
- When writing, use a mat to protect the table or desk surface.

### **8. When moving furniture, please lift, do not drag. Protect the surface and corners from knocks & scratches.**

- Take care when handling. Obtain assistance as necessary.
- Once in place make sure it stands level to ensure smooth opening of the doors and running of the drawers.

### **9. Furniture containing glass.**

- Do not use abrasive cleaners to clean glass surface, use a damp cloth with either washing up liquid or soft soap.
- Do not place a heavy object on the glass surface. Do not strike the glass with a sharp object.
- Do not place felt with glue, cork or plastic dots between glass & finished surface since these items can react with a finish.

### **10. Any assembly required should follow the sequence of steps in the Assembly Instruction Sheet.**

- Please retain assembly instructions and hardware for future reference and use.
- Periodically check all fixings to ensure none have come loose. Re-tighten when necessary.
- Furniture can be dangerous if incorrectly assembled. Assembly should be carried out by a competent person(s). No liability will be accepted from damage or injury caused by incorrectly installed or assembled furniture.

### **11. If the furniture is dented or scratched at any time during use, this can usually be repaired by a qualified technician: Please contact your retailer.**

**WITH PROPER CARE, THIS FURNITURE WILL GIVE YOU MANY YEARS OF USE.**