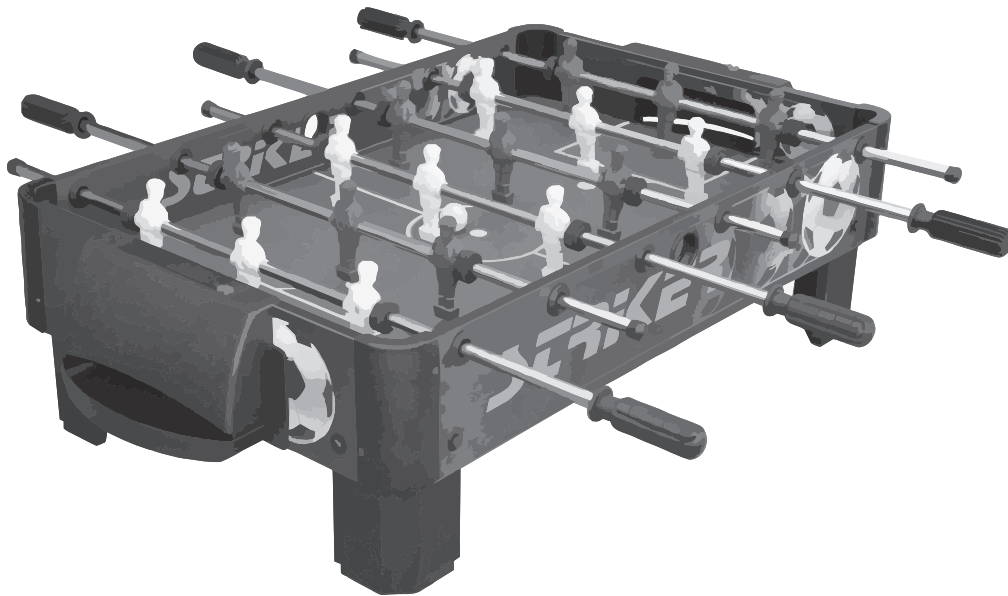


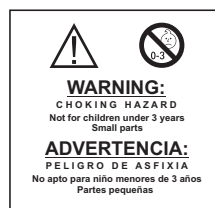


# FOOSBALL TABLE



## ASSEMBLY INSTRUCTIONS

Model: ST-1010G



Not recommended for children under 8 years of age.

### CONTACT INFO

Distributed by Airzone Ltd.

Questions or Comments? Call **1-800-775-6524** or Mail **CustomerService@airzone-na.com**

Made in China.

## IMPORTANT

After receiving the shipment, inspect the product thoroughly to ensure that it has been shipped with care.

Before assembly make sure that the packaging contains all parts.

For service or parts replacement under warranty, the official sales receipt is required. Please keep your official sales receipt for future reference

### **OFFICIAL SALES RECEIPT CAN BE ATTACHED HERE**

Service or parts under warranty  
only available with show of receipt

Please contact us for any questions at **1-800-775-6524** before returning this product.

Use a soft, clean and level surface to begin the assembly of your game table. (Such as the inside of the cardboard box, carpet, etc.). This will prevent the table surface from getting damaged. Make sure to remove any staples from the cardboard box before using it as an underground.

This game table will be partially assembled upside down and then turned over onto its legs.

When installing parts that have more than one screw or bolt, hand tighten all screws or bolts in place before tightening with screwdriver or allen key.

Electric screwdrivers may be helpful during assembly. However, please set a low torque and use extreme caution because screws may be stripped or over tightened if the electric screwdriver's torque is set too high.

# Save these IMPORTANT Safety Instructions

**Warning:**

This product is intended for indoor use in a climate controlled environment only. Excessive temperatures and humidity may have an influence on the play quality and durability of this table.

This table should only be used by adults or under the supervision of adults. This table is NOT a toy.

Do not sit or lean on the table. Do not place anything on the top of the play field.

Do not drag the table when moving it, as this could damage the legs or unit beyond repair.

Do not place any food or drinks on the table or play field

Only use the table for its intended purpose

Check all screws, bolts, etc. with regular intervals to ensure that they are in good working condition and have not loosened overtime.

**Age Grade 8+:**

This product is not recommended for children under 8 years of age.

## Care and Maintenance

Clean your table periodically. It is sufficient to wipe its surfaces with mild soap and water using a damp cloth. The bearings normally do not require any lubrication. However, should you wish to enhance their smoothness, you may spray the play rods near the bearings with a good quality silicone spray.

# TOOLS

## Required

Phillips head screwdriver  
(Not included)

Allen key  
(Included)

## Recommended

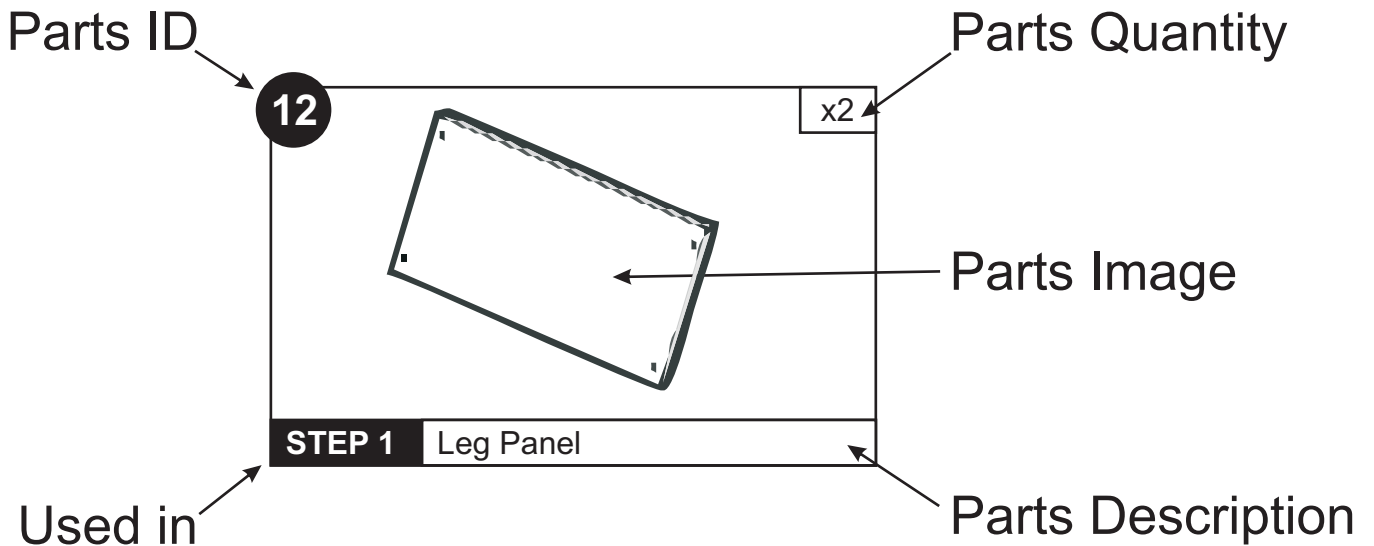
Electric screwdriver

Level

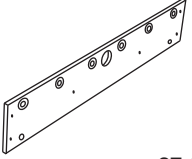
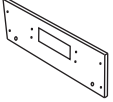
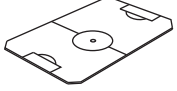
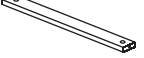






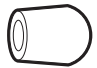
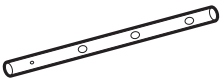

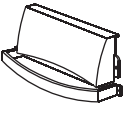

# PARTS IDENTIFIER

## How to use




To assure a smooth assembly we recommend to ensure yourself that you have received all parts listed and in the correct quantities.



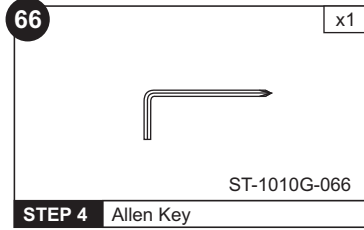
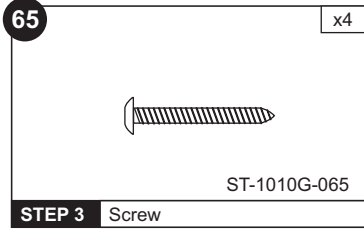
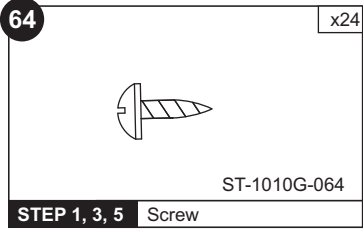
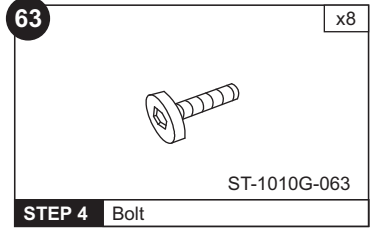
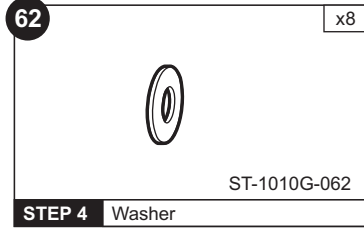
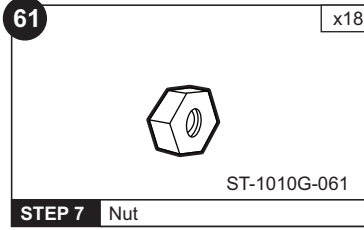
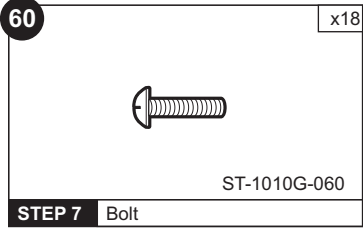
# PARTS IDENTIFIER

<p><b>1</b></p>  <p>ST-1010G-001</p> <p><b>STEP 1</b> Panel-Side</p>	<p><b>2</b></p>  <p>ST-1010G-002</p> <p><b>STEP 1</b> Panel-End</p>	<p><b>3</b></p>  <p>ST-1010G-003</p> <p><b>STEP 2</b> Playfield</p>	<p><b>4</b></p>  <p>ST-1010G-004</p> <p><b>STEP 3</b> Support Beam</p>
<p><b>5</b></p>  <p>ST-1010G-005</p> <p><b>STEP 4</b> Leg</p>	<p><b>6</b></p>  <p>ST-1010G-006</p> <p><b>STEP 6</b> Player-A</p>	<p><b>7</b></p>  <p>ST-1010G-007</p> <p><b>STEP 6</b> Player-B</p>	<p><b>8</b></p>  <p>ST-1010G-008</p> <p><b>STEP 6</b> Rod-Bumper</p>
<p><b>9</b></p>  <p>ST-1010G-009</p> <p><b>STEP 6</b> Rod-Washer-Molded</p>	<p><b>10</b></p>  <p>ST-1010G-010</p> <p><b>STEP 8</b> Rod-Handle</p>	<p><b>11</b></p>  <p>ST-1010G-011</p> <p><b>STEP 8</b> Rod end-cap</p>	<p><b>12</b></p>  <p>ST-1010G-012</p> <p><b>STEP 6</b> Rod-3 Player</p>
<p><b>13</b></p>  <p>ST-1010G-013</p> <p><b>STEP 1</b> Corner</p>	<p><b>14</b></p>  <p>ST-1010G-014</p> <p><b>STEP 5</b> Goal bottom and top part</p>	<p><b>15</b></p>  <p>ST-1010G-015</p> <p><b>STEP 3</b> Copper nut</p>	

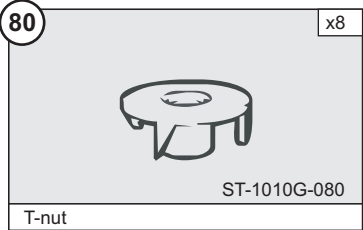
## Pre-installed Parts

<p><b>20</b></p>  <p>ST-1010G-020</p> <p>Plastic Rod Bushing</p>	<p><b>21</b></p>  <p>ST-1010G-021</p> <p>Plastic Ball Entry Rim</p>	<p><b>22</b></p>  <p>ST-1010G-022</p> <p>Plastic Ball Entry Rim</p>
---	--	---

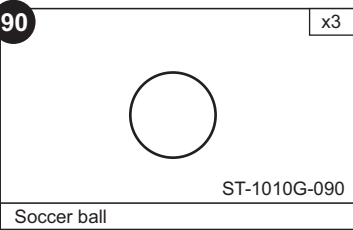
## Hardware



## Pre-installed Hardware



## Accessories



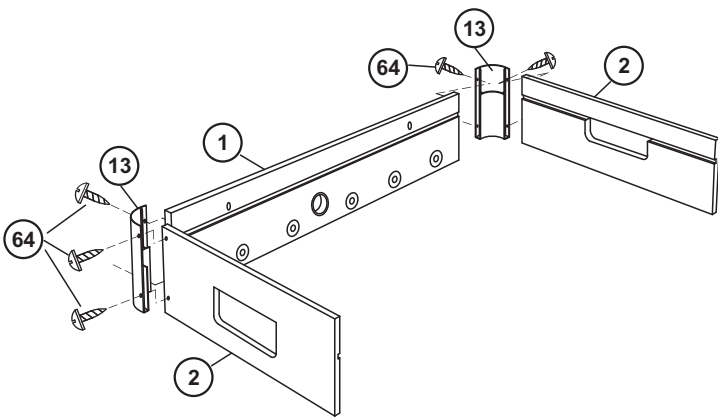
# ASSEMBLY INSTRUCTIONS

**Before assembly make sure that all parts are available and sorted**

All parts can be identified on the parts and accessories identifier

Please inspect your play field before assembling this product. It is not possible to replace or repair the play field under warranty. Therefore, if the play field is damaged, the complete table needs to be returned to the place of purchase to be exchanged for a new table

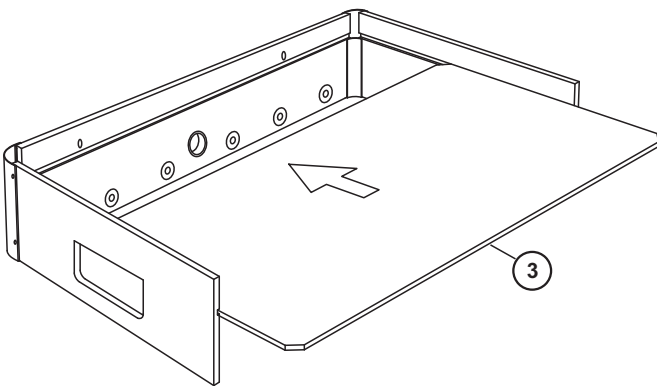
## STEP 1



COMPONENTS	Q.TY	HARDWARE	Q.TY
<b>1</b> Panel-Side	x1	<b>64</b> Screw	x8
<b>2</b> Panel-End	x2		
<b>13</b> Corner	x2		

### NOTE

## STEP 2

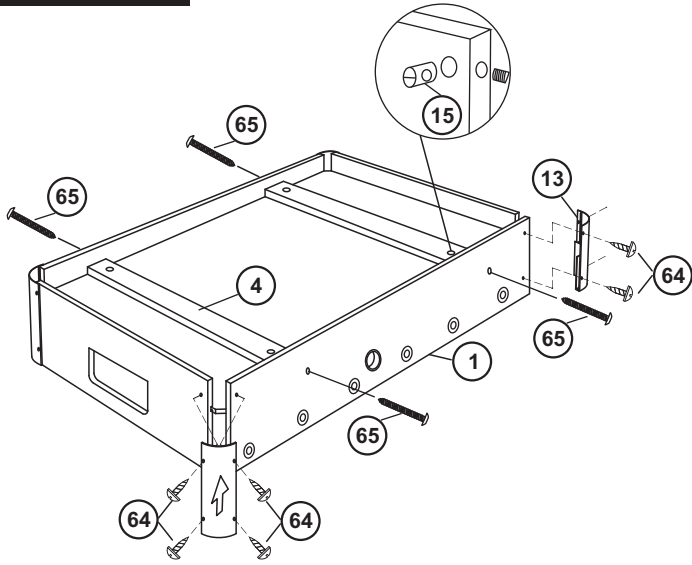


COMPONENTS	Q.TY	HARDWARE	Q.TY
<b>3</b> Playfield	x1		

### NOTE

# ASSEMBLY INSTRUCTIONS

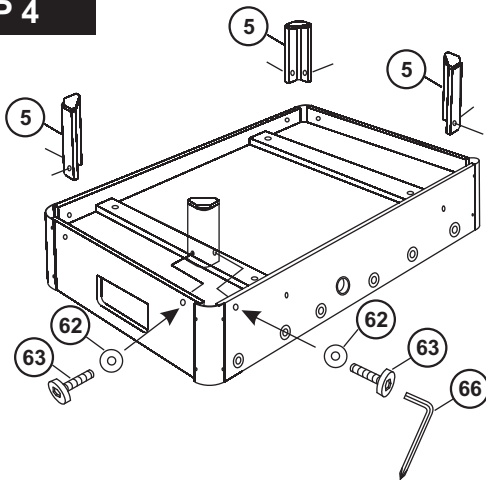
## STEP 3



COMPONENTS	Q.TY	HARDWARE	Q.TY
<b>1</b> Panel-Side	x1	<b>64</b> Screw	x8
<b>4</b> Support Beam	x2	<b>65</b> Screw	x4
<b>13</b> Corner	x2		
<b>15</b> Copper nut	x4		

### NOTE

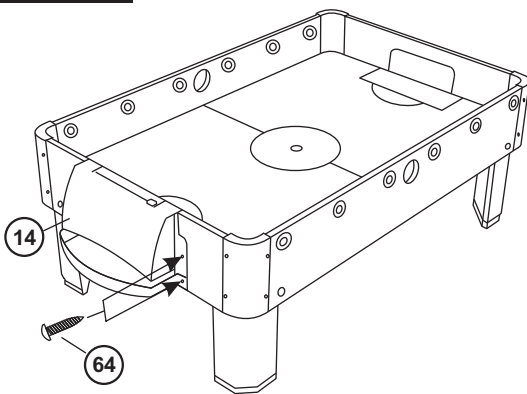
## STEP 4



COMPONENTS	Q.TY	HARDWARE	Q.TY
<b>5</b> Leg	x4	<b>62</b> Washer	x8
		<b>63</b> Bolt	x8
		<b>66</b> Allen Key	x1

### NOTE

## STEP 5



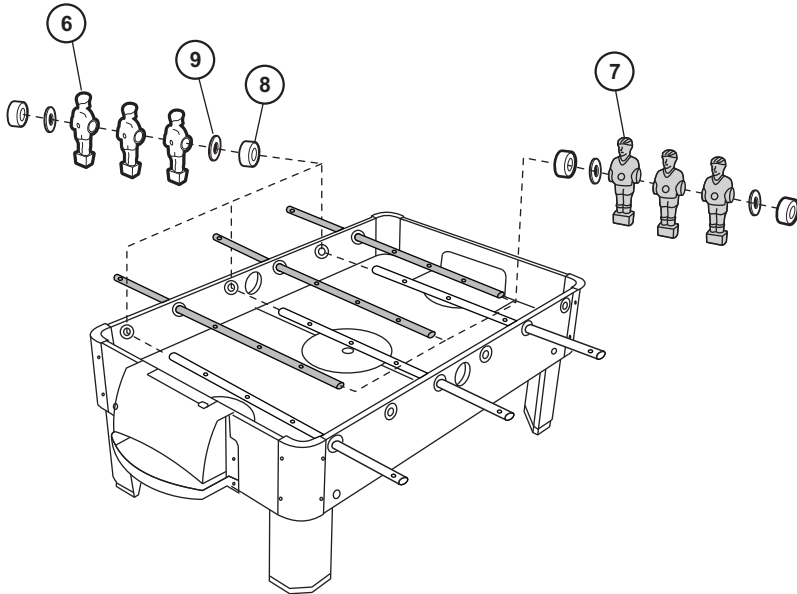
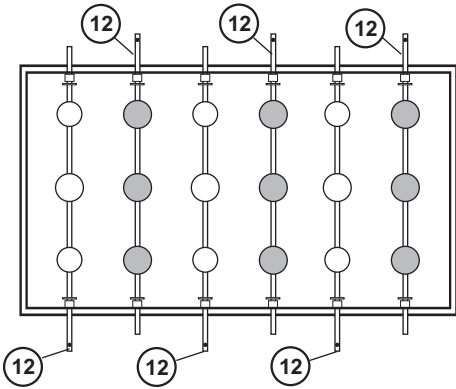
COMPONENTS	Q.TY	HARDWARE	Q.TY
<b>14</b> Goal bottom and top part	x2	<b>64</b> Screw	x8

### NOTE



# ASSEMBLY INSTRUCTIONS

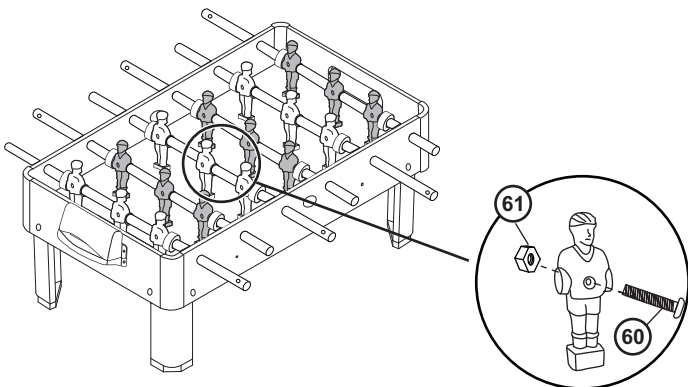
## STEP 6



COMPONENTS	Q.TY	HARDWARE	Q.TY
<b>6</b> Player-A	x9		
<b>7</b> Player-B	x9		
<b>8</b> Rod-Bumper	x12		
<b>9</b> Rod-Washer-Molded	x12		
<b>12</b> Rod-3 Player	x6		

### NOTE

## STEP 7

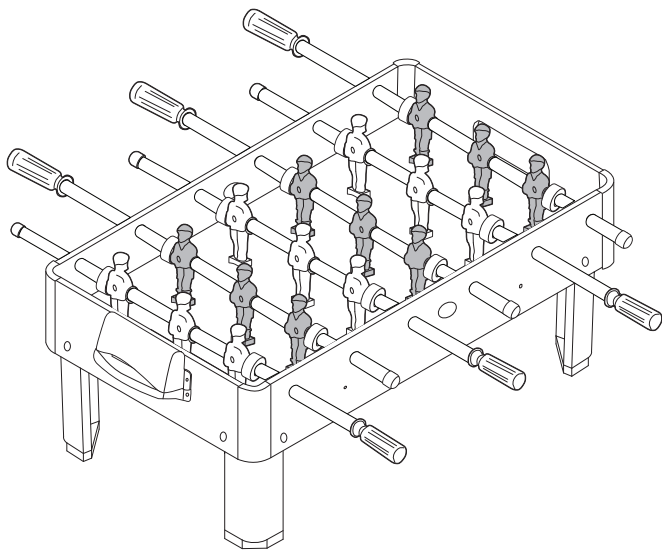
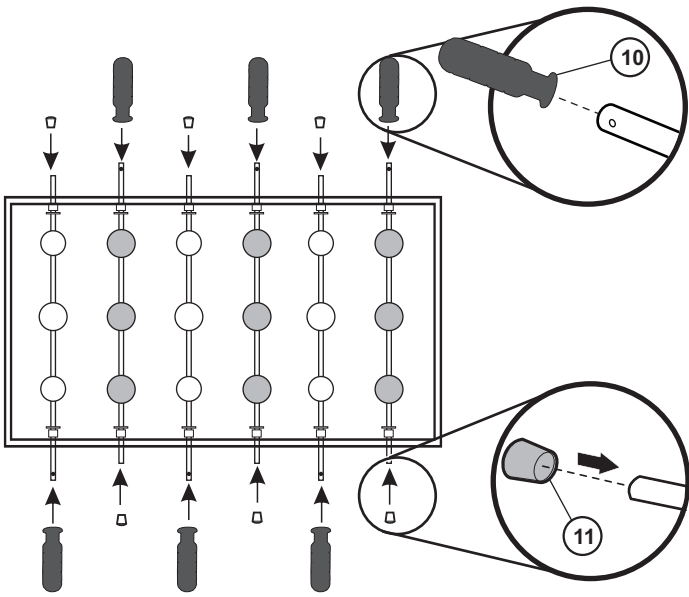


COMPONENTS	Q.TY	HARDWARE	Q.TY
		<b>60</b> Bolt	x18
		<b>61</b> Nut	x18

### NOTE

# ASSEMBLY INSTRUCTIONS

## STEP 8



### COMPONENTS

Q.TY

### HARDWARE

Q.TY

**10** Rod-Handle

x6

**11** Rod-Cap

x6

### NOTE

## Limited Warranty

This product is warranted to the original owner to be free from defects in workmanship and materials when used for the intended purpose under normal use and conditions for a period of 90 days from the date of original retail purchase. Proof of purchase is required when requesting for parts or service.

**This Limited Warranty covers all defects in materials and workmanship but will be void if the product is:**

- Damaged due to transportation, improper usage, storage, negligence, misuse, abuse, acts of nature or accidents (including for not following the instructions supplied with this product).
- Used in a commercial environment such as schools, correctional facilities, recreational centers, camps, churches, day-cares or any other public facility and/or as rentals.
- Modified or repaired by unauthorized persons.

**This Limited Warranty does not cover:**

- Nonessential items such as accessories, cosmetic parts and any other items showing wear due to normal usage.
- Any transportation, delivery, installation costs incurred by the consumer from original place of purchase to home, or back to the original place of purchase.
- Items purchased from a third party or from an unauthorized retailer.

This warranty is nontransferable and is expressly limited to the repair or replacement of the defective product. During the warranty period, the manufacturer shall repair or replace defective parts at no cost to the purchaser. Shipping charges and insurance are not covered and are the responsibility of the purchaser. Labor charges and related expenses for removal, installation or replacement of the product or components are not covered under this warranty.

The manufacturer reserves the right to make substitutions to warranty claims if parts are unavailable or obsolete.

**Distributed by Airzone Ltd.**

Questions, Comments or Warranty Claims:  
**CALL 1-800-775-6524**

or

**MAIL [CustomerService@airzone-na.com](mailto:CustomerService@airzone-na.com)**