

USA Work Steps:

First Step

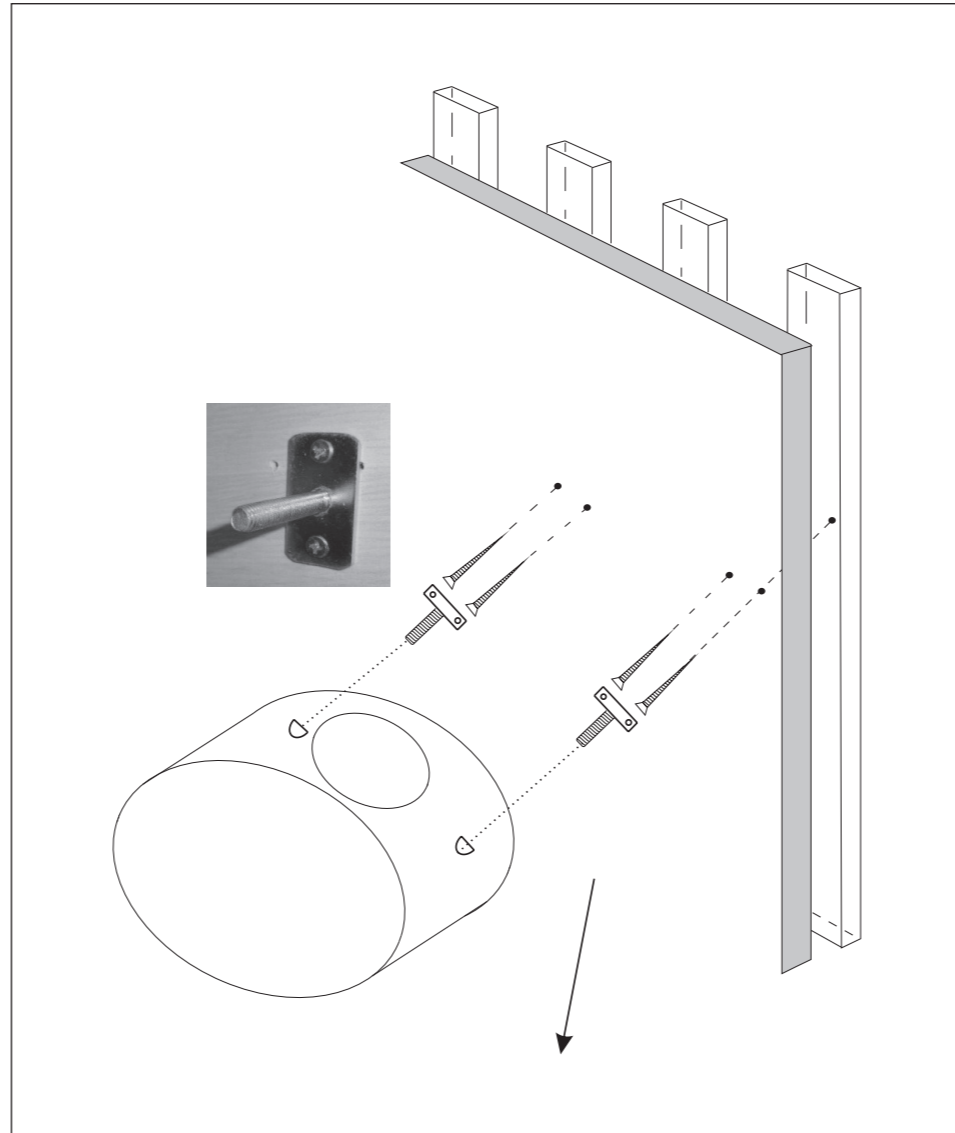
Please use a stud finder (or other technique) and a pencil. After locating the stud mark the center of the stud, which will hold the product.

Second Step

Assemble the parts as shown in the manual.

Third Step

Bring the products in final position and mark the screw-point on the center of the studs. Use a spirit level or have someone eyeball to make sure the holes are levelled.



Fourth Step

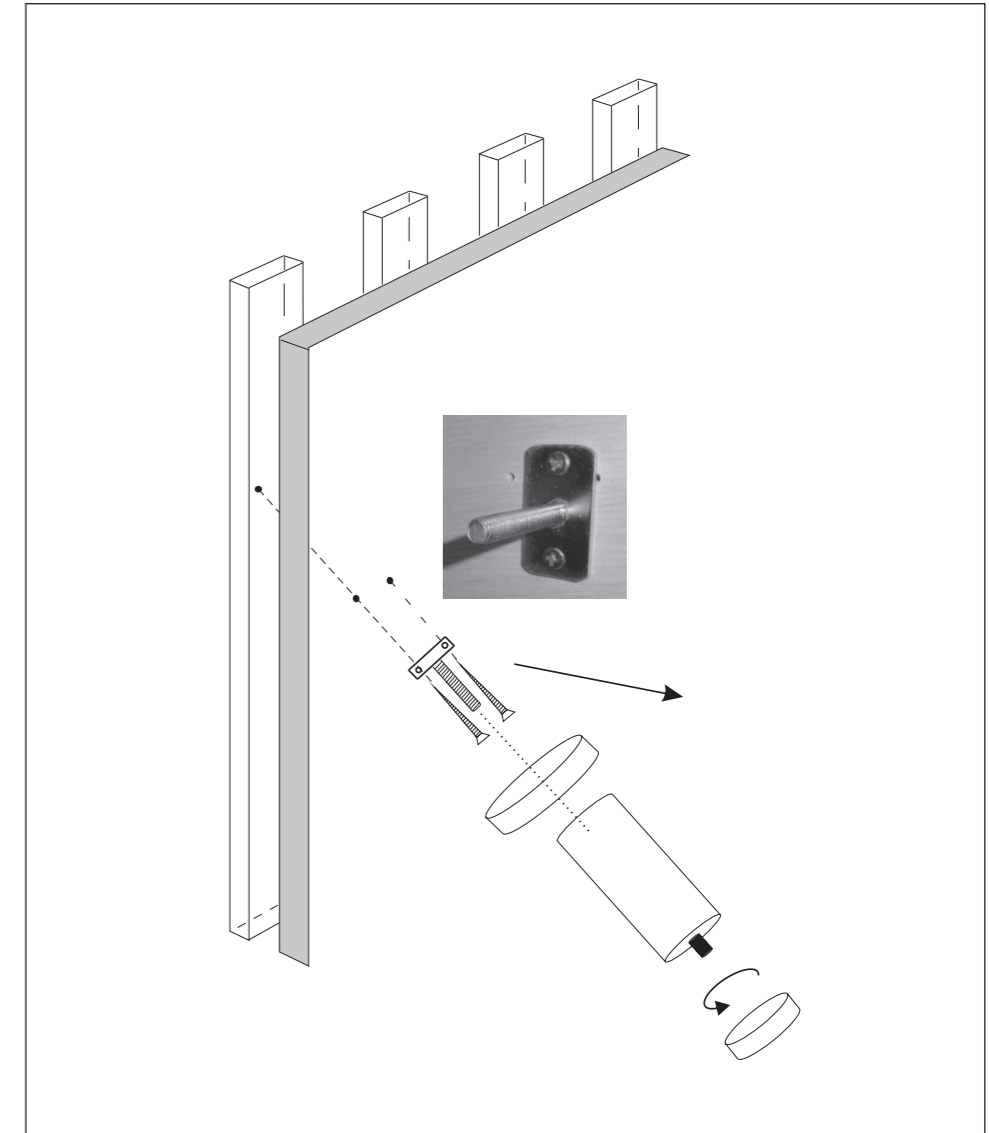
Use your drill and the 1/16" bit to make pilot holes for maximum 2 inch to all markings.

Fifth Step

Mount the metal holder with enclosed screws to the stud and make sure the screws are fastened securely.

Final Step

Connect the products with the holders in the wall.



Advice:

Please note the secure assembly and mounting requires one adult person. The holder need to be fixed to the wooden studs at 12 or 16 inch.