

**TIAN
PORTABLE CRIB**

ORBELLE'S ORIGINAL DESIGN



ASSEMBLY INSTRUCTIONS

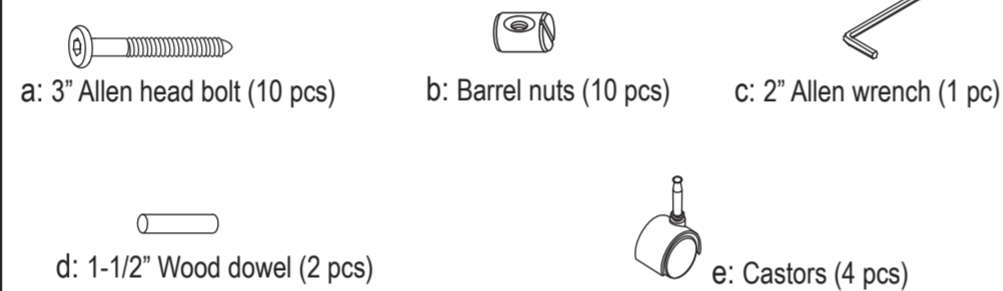
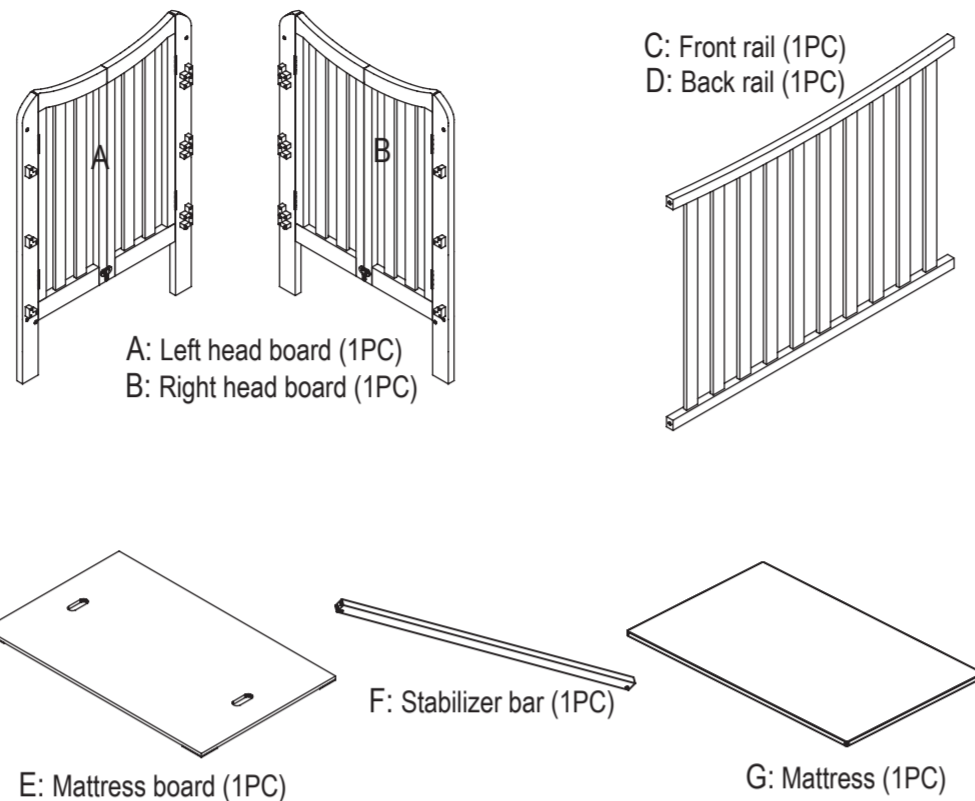
Read all instructions before assembling crib. Save instructions for future use.

Attention: In order to properly assemble the crib, follow the assembly instructions in the specified order. Failure to assemble the crib in the manner recommended could make the crib hazardous.

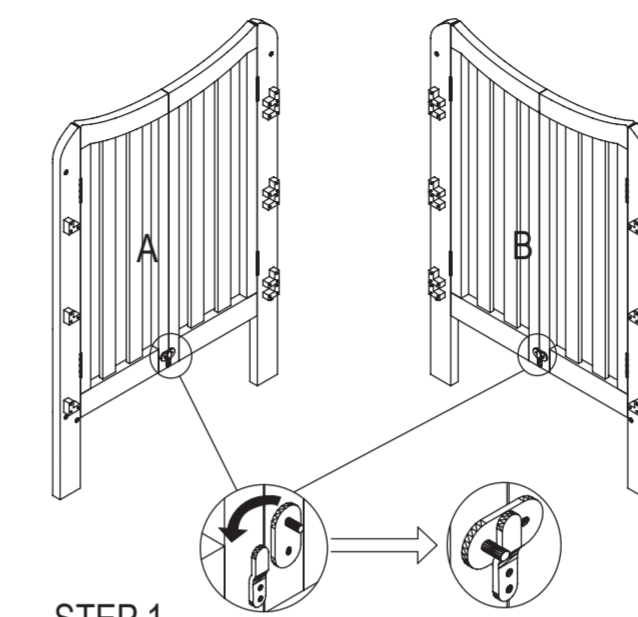
Carefully remove and lay out all parts. Familiarize yourself with all diagrams to facilitate the assembly of your crib. Check parts and the enclosed hardware bag with the hardware parts list to be sure all are included and quantities are correct. Destroy cardboard and plastic bags immediately.

Warning: Never use this product if there are any loose or missing fasteners, loose joints, broken parts, or torn mesh/fabric. Check before assembly and periodically during use. Contact ORBELLE for replacement parts and instructional literature if needed.

PARTS LIST FOR #TIAN

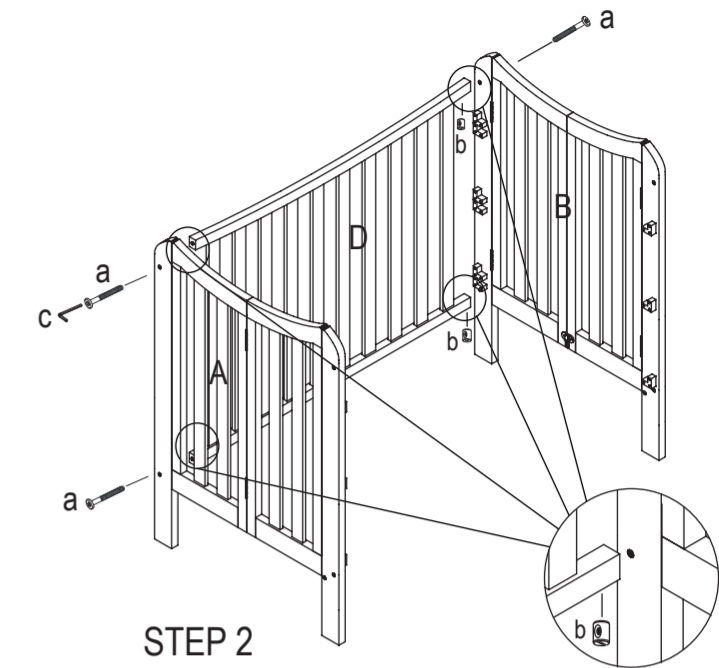


CAUTION: Any mattress used in this crib must be at least 23-5/8" (600mm) by 37-3/4" (959mm) with a thickness not exceeding 2" (51mm). This crib conforms to applicable regulations promulgated by the consumer product safety commission.



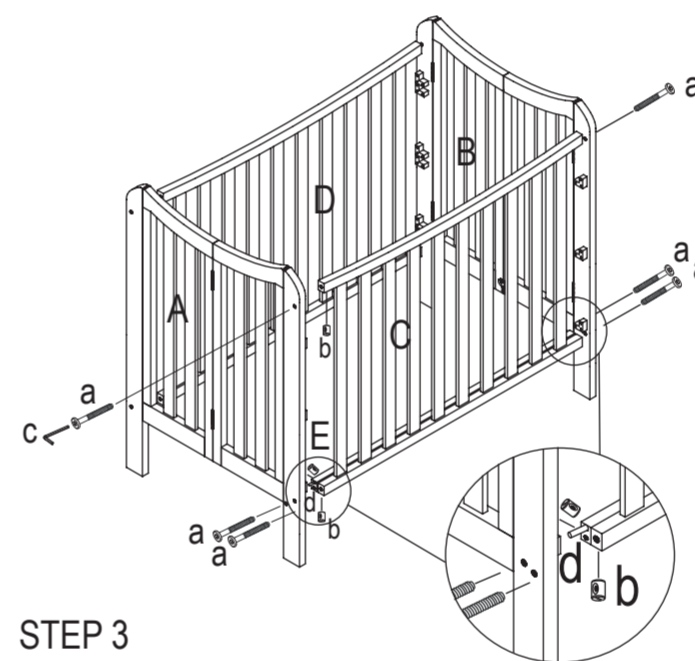
STEP 1

Make sure that the latch on the bottom of each headboard (A & B) are locked.



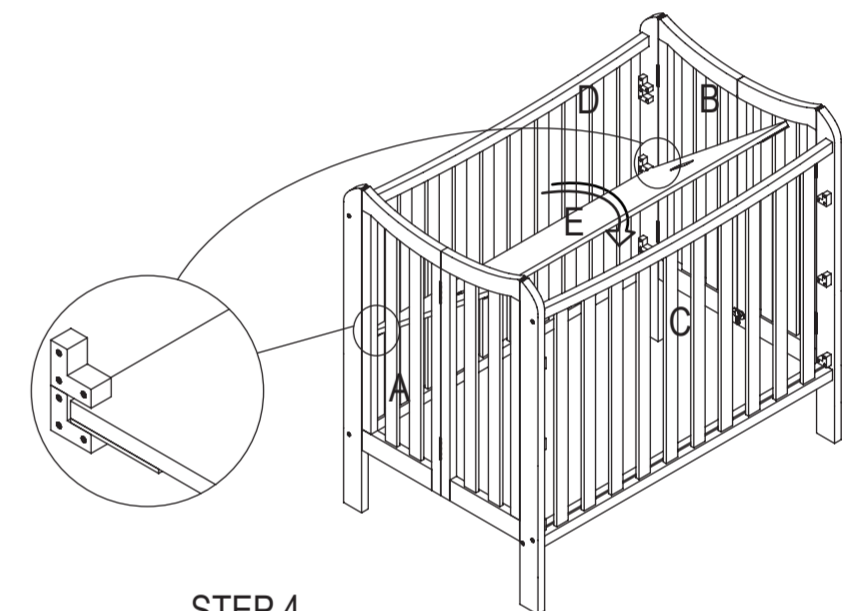
STEP 2

Connect back rail (D) to the headboard (A & B) by screws (a) and nuts (b).



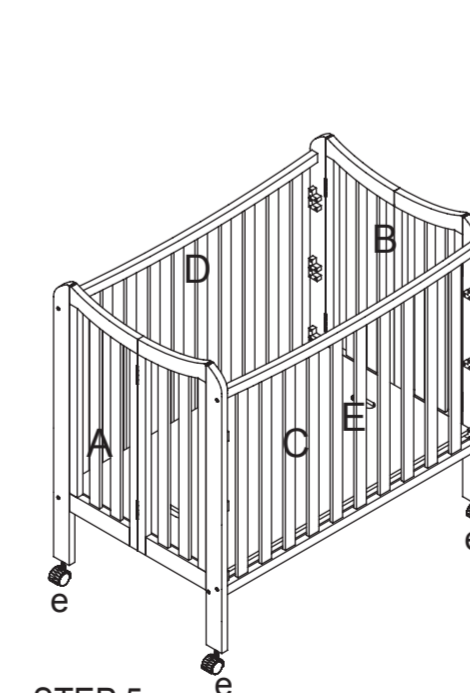
STEP 3

Assemble stabilizer bar (F) to the headboard (A & B) by screws (a) and nuts (b) and wood dowels (d). Connect front rail (C) to the headboard (A & B) according to step 2.



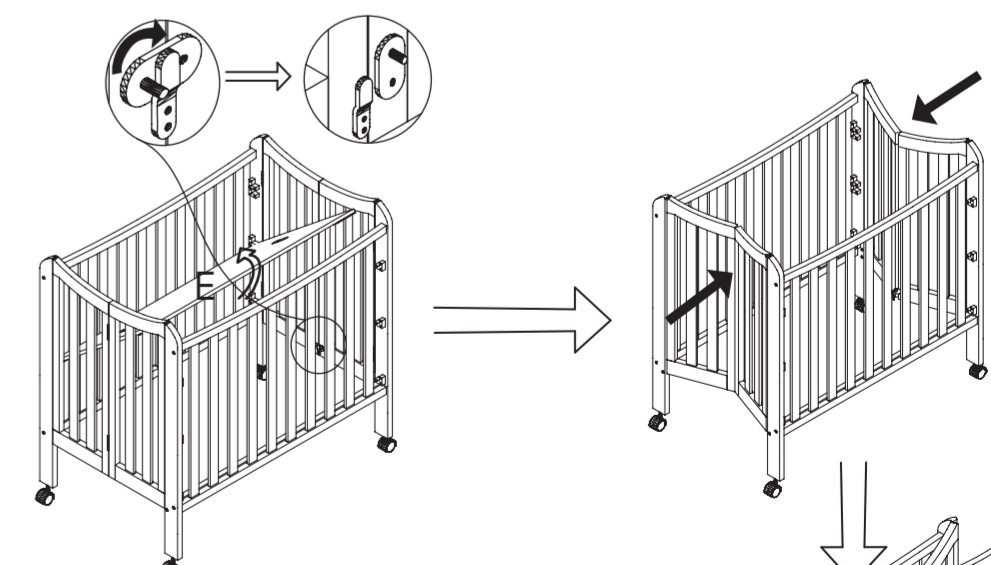
STEP 4

Put the mattress support (E) in the double plastic holder on the headboard according to your required height, and lay it down, then add the mattress (G).
Warning: please put the mattress support on the up and middle height only for newborn baby.



STEP 5

Assemble castors (e) to the leg bottoms on the leg on headboard (A & B).



STEP 6

Follow below to fold the crib:
1. take out the mattress (G)
2. take out the mattress board (E)
3. unlock the latch on the headboard
4. fold the crib

- WARNING**
****Keep instructions for further use****
- This product meets or exceeds specifications as issued by the consumer product safety for non-full size baby cribs.
 - **Caution:** Before using this unit recheck all screws to be sure they are tightened securely. A periodic check should be made of all screws & nuts to be sure they remain tight.
- WARNING**
****Infants can suffocate****
- In gaps between a mattress too small or too thick and product sides.
 - On soft bedding never add a mattress, pillow, comforter, or padding.
 - Use up and middle level mattress support only for a new born baby and not more than the first 3 months.
- WARNING**
- Failure to follow these warnings and the instructions could result in serious injury or death.
 - Do not use plastic shipping bag or other plastic film as mattress covers not sold and intended for that purpose, they can cause suffocation.
 - Never use a water mattress with this product, if refinishing, use a nontoxic finish specified for children's products.
 - Strings can cause strangulation! Never place items with a string around a child's neck, such as hood strings or pacifier cords. Never suspend strings over product or attach strings to toys.
 - Discontinue use of the product when child is able to climb out or reaches the height of 35in. (890mm).
 - When child is able to pull to standing position, set mattress/base to lowest adjustment position and remove bumper pads, large toys, and other objects that could serve as steps for climbing out.
 - Never place product near window where cords from blinds or drapes can strangle a child.
 - Always provide the supervision for continued safety of your child.
 - To reduce the risk of SIDS, pediatricians recommend healthy infants be placed on their back to sleep, unless otherwise advised by your physician.
 - Never use this product if there are any loose or missing fasteners, loose joints, broken parts, or torn mesh/fabric. Check before assembly and periodically during use. Contact ORBELLE for replacement parts and instructional literature if needed.
 - Never substitute parts, the product including side rails, must be fully erected prior to use.