

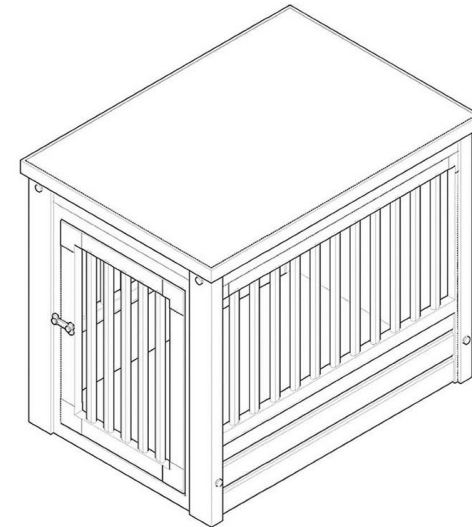
PET CRATE ASSEMBLY

LIMITED PRODUCT WARRANTY

We warrant the original purchaser ("Purchaser") of this product that, for a period of five years from the date of original purchase under normal use and conditions, the products covered by this warranty as delivered within the package containing the product shall be free of defects in material and/or workmanship and will not splinter, rot or suffer from any encountered atmospheric conditions or infestation by boring insects, fungi or mildew or a condition commonly referred to as dry rot. If defect occurs within the warranty period, Purchaser will notify of such defect as soon as defect is observed by Purchaser. Upon confirmation of warranty application and validity, we at our sole discretion and at its sole option, will provide replacement parts or a replacement product at no cost to the Purchaser. Our sole responsibility will be for replacement of damage or defective parts or product and under no terms will be responsible for refund or any part or the total purchase price paid by Purchaser.

This warranty is offered to the original Purchaser only and is not transferable. There is no warranty coverage for rented products or any products purchased "used", "as is", at a distress or going-out-of-business sales, or directly or indirectly from a close-out agent or liquidator.

The warranty only covers initial defects in materials and workmanship and the covered conditions described above. It does not cover damage from abuse either by the owner or the animal that the product is designed to house if applicable. This warranty specifically excludes damage to the Product caused by the act of chewing or gnawing on any of the parts of the Product by the animal that it is intended to house or any other animal.



Congratulations on your purchase!

Parts List:

Front Panel - 1

Side Wall Panels - 2

Floor Support Bar - 1

Long Thumb Screw - 4

Side Wall Pin - 2

Back Panel - 1

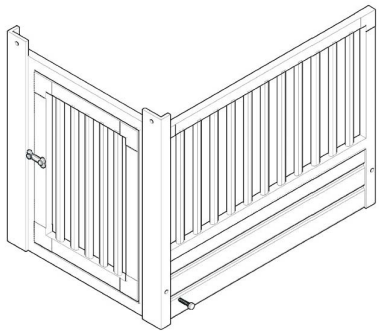
Table Top - 1

Floor Panel - 1

Short Thumb Screw - 4

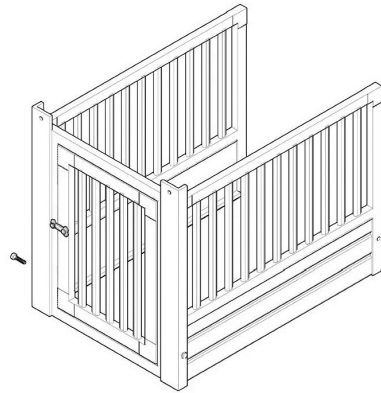
Before you start assembly - check for damaged or missing parts. Contact your distributor to order replacement parts.

STEP 1



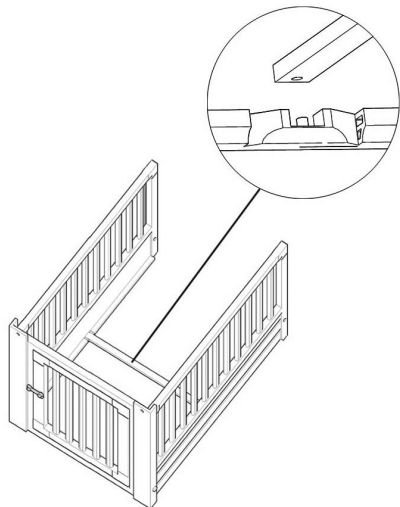
Connect the Front Panel with a Side Wall Panel using (1) Long Thumb Screw.

STEP 2



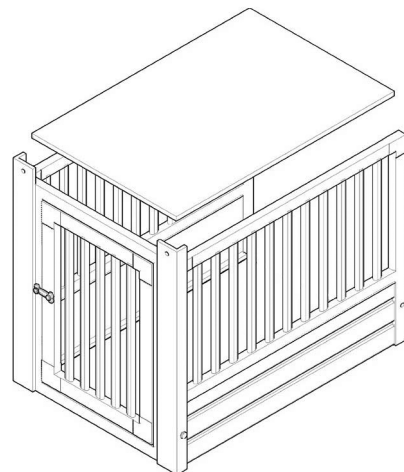
Attach the second Side Wall Panel to the Front Panel with (1) Long Thumb Screw.

STEP 3



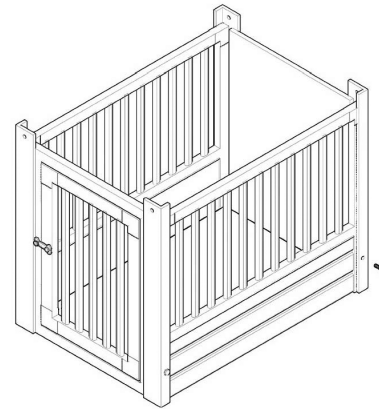
Install the Floor Support Bar by pressing the metal bar into the plastic brackets pre-installed on the side Panels.

STEP 4



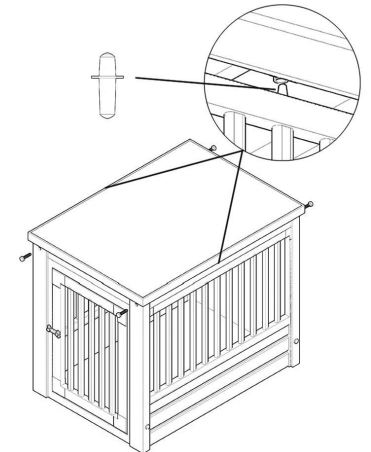
Install the Floor Panel.

STEP 5



Attach the Back Panel with the Side Wall Panels with (2) Long Thumb Screws, one on each side.

STEP 6



(A) Insert the Side Wall Pin into the bracket pre-installed on the upper edge of the Side Wall Panel. **(B)** Place the Table Top in place and secure with (4) Short Thumb Screws, one on each corner.

KEEP CRATE CLEAN FOR A HEALTHY PET

It is very important to keep the crate clean for the health of your pet. The non-absorbent material and the easy-to-assemble design will be appreciated when it is time to clean the Pet Crate.

Remove the Table Top by reversing Step 6 of the assembly instructions, which will allow you complete access to the entire inside of the Pet Crate.

For a quick cleaning, simply wipe the inside and outside of the Pet Crate with a damp sponge or cloth.

When a deep cleaning is necessary, we recommend using a detergent with strong grease cutting capabilities that is safe to use around you, your children and your pets. When deep cleaning is finished, rinse off the entire Pet Crate with a garden hose. Allow the interior to dry thoroughly before reassembling the Table Top. We recommend a deep cleaning twice a year to keep the crate clean and your pet healthy.