

ASSEMBLY INSTRUCTION FOR BED FRAMES WITH UNIVERSAL BASE 4'6"(DOUBLE BED)

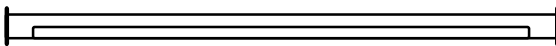
SAFETY WARNING: *Do not stand on the bedbase.*

1. Please take a short time reading through this leaflet and follow the simple step-by-step instructions.
2. When assembling your new bed please ensure that you have checked the content for all relevant parts.
3. Assemble this product on a clean flat surface to avoid any scratching.
4. When tightening bolts make sure that they are fully tightened but not forced.
5. It is advisable to use approved cleaning product when cleaning the bed frame as certain chemical based could have an adverse effect on the bed finish.
6. Keep fittings out of reach of children.
7. When moving your fully assembled bed you must first remove the mattress and lift the frame into position, take care when lifting and always have two people handling the bed. **PLEASE DO NOT DRAG THE BED** as this will damage to the central support legs and rail.
8. All Limelight beds are produced to the highest standards and are packed to avoid damage in transit, should you find that your new bed does not meet with your satisfaction please contact Limelight customer care on **01455 850150**.

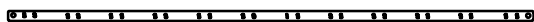
**** PLEASE NOTE : GOODS THAT NEED TO BE RETURNED SHOULD BE SENT BACK IN ORIGINAL PACKAGING.**

COMPONENT PARTS

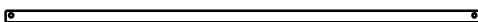
1 - Siderail x 2pcs



2 - Centre Rail x 1pc



3 - Cross Bar (2 holes) x 2pcs



4 - Cross Bar (3 holes) x 2pcs



5 - Centre Plastic Cap x 12pcs



6 - Sprung Slats x 24pcs



7 - Side Plastic Cap x 24pcs



FITTINGS

A - M8x20mm Cap Screw x 8pcs



B - M6x60mm bolts x 10pcs



C - JCN M6 Nuts x 10pcs



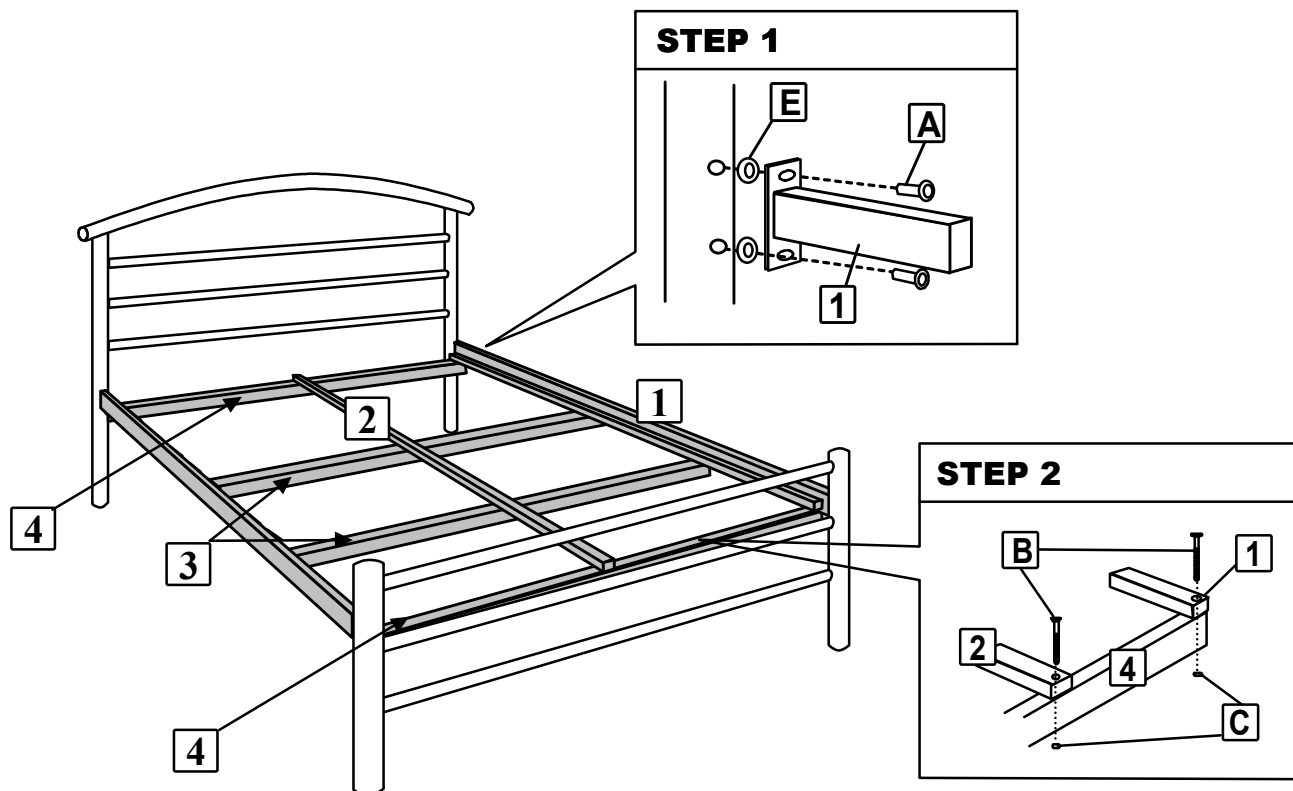
D - Allen Key x 2pcs
(1 For M6 Bolts,
1 For M8 Bolts)



E - Plastic Spacer x 8pcs

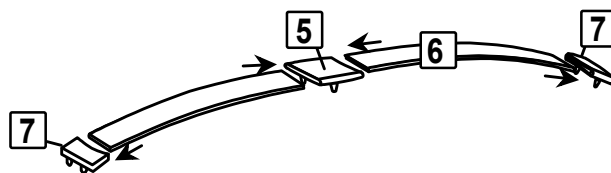


STEP 1: Attach **Siderails** **1** to **Headboard** and **Footboard**

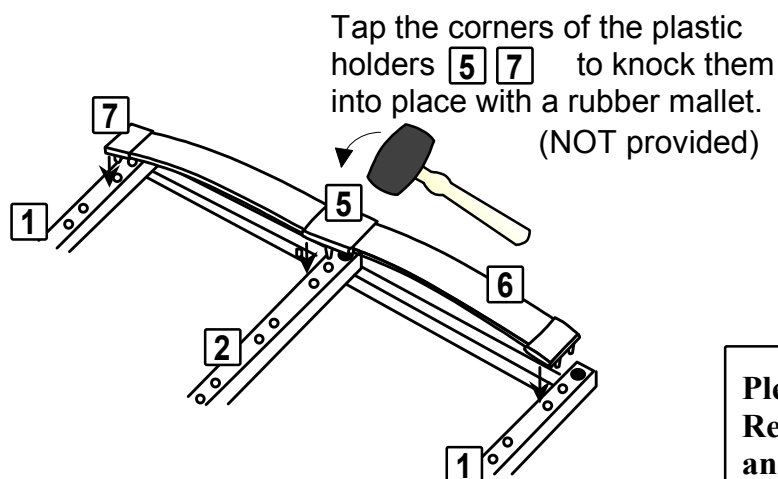


STEP 2: Attach **Cross Bar** **3** **4** underneath **Siderail** **1** .Followed by the **Centre Rail** **2** to be fixed above the Cross Bars.

STEP 3 : Insert the **Sprung Slat** **6** into the **Plastic Holders** **5** **7** as shown.



STEP 4 : Align the pins on the **Plastic Holders** **5** **7** to the holes along the **Centre Rail** **2** and the **Siderails** **1** . Gently tap them into the holes.



**Please check and tighten all bolts.
Remember to re-check and tighten screws and bolts periodically or when necessary.**

ASSEMBLY INSTRUCTION FOR BED FRAMES WITH UNIVERSAL BASE 5'0(KING BED)

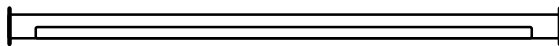
SAFETY WARNING: *Do not stand on the bedbase.*

1. Please take a short time reading through this leaflet and follow the simple step-by-step instructions.
2. When assembling your new bed please ensure that you have checked the content for all relevant parts.
3. Assemble this product on a clean flat surface to avoid any scratching.
4. When tightening bolts make sure that they are fully tightened but not forced.
5. It is advisable to use approved cleaning product when cleaning the bed frame as certain chemical based could have an adverse effect on the bed finish.
6. Keep fittings out of reach of children.
7. When moving your fully assembled bed you must first remove the mattress and lift the frame into position, take care when lifting and always have two people handling the bed. **PLEASE DO NOT DRAG THE BED** as this will damage to the central support legs and rail.
8. All Limelight beds are produced to the highest standards and are packed to avoid damage in transit, should you find that your new bed does not meet with your satisfaction please contact Limelight customer care on **01455 850150**.

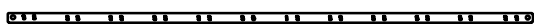
**** PLEASE NOTE : GOODS THAT NEED TO BE RETURNED SHOULD BE SENT BACK IN ORIGINAL PACKAGING.**

COMPONENT PARTS

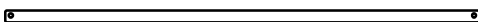
1 - Siderail x 2pcs



2 - Centre Rail x 1pc



3 - Cross Bar (2 holes) x 3pcs



4 - Cross Bar (3 holes) x 2pcs



5 - Centre Plastic Cap x 13pcs



6 - Sprung Slats x 26pcs



7 - Side Plastic Cap x 26pcs



FITTINGS

A - M8x20mm Cap Screw x 8pcs



B - M6x60mm bolts x 12pcs



C - JCN M6 Nuts x 12pcs



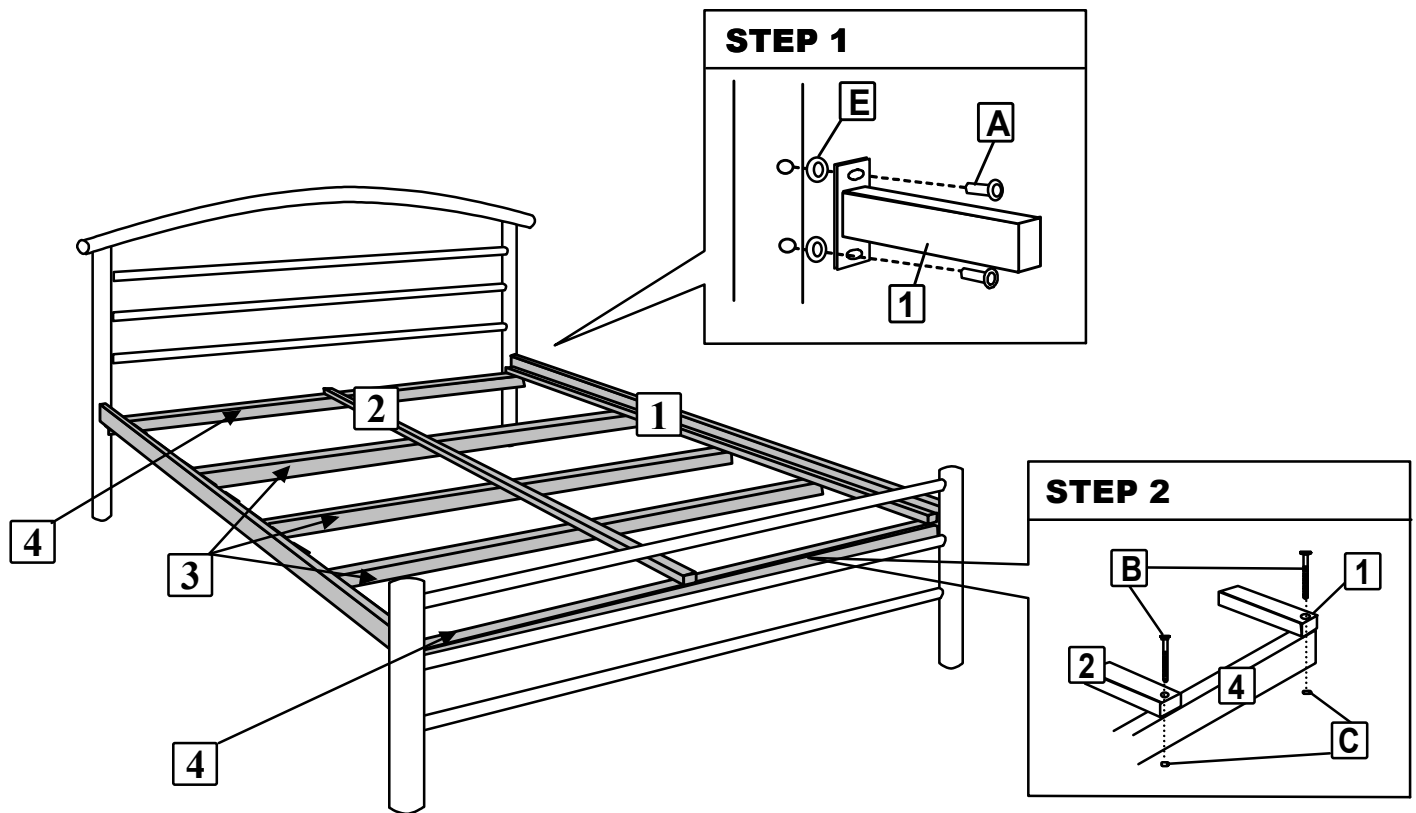
D - Allen Key x 2pcs
(1 For M6 Bolts,
1 For M8 Bolts)



E - Plastic Spacer x 8pcs

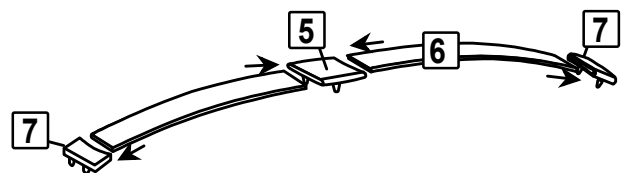


STEP 1: Attach **Siderails** **1** to **Headboard** and **Footboard**

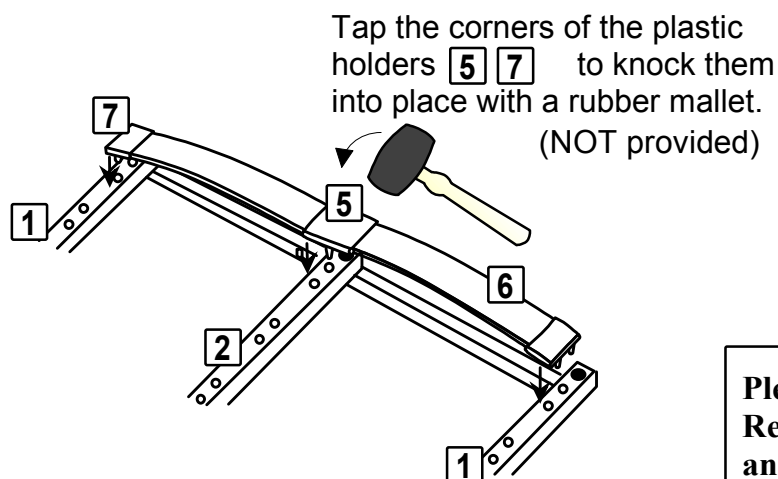


STEP 2: Attach **Cross Bar** **3** **4** underneath **Siderail** **1** . Followed by the **Centre Rail** **2** to be fixed above the Cross Bars.

STEP 3 : Insert the **Sprung Slat** **6** into the **Plastic Holders** **5** **7** as shown.



STEP 4 : Align the pins on the **Plastic Holders** **5** **7** to the holes along the **Centre Rail** **2** and the **Siderails** **1** . Gently tap them into the holes.



Please check and tighten all bolts. Remember to re-check and tighten screws and bolts periodically or when necessary.