

FOR YOUR SAFETY

We take your safety very seriously, that's why JAY-BE® products are designed and independently tested to meet internationally recognised Safety and Quality Standards.

For your extra safety, we advise that you do not stand/jump on the bed or use if a part is broken, torn or missing.

TAKING CARE OF YOUR BED

To clean your bed, use a clean damp cloth. To store your bed, we recommend that it is covered and situated in a dry area at normal room temperature. JAY-BE® Storage Covers, designed to fit your bed perfectly are available. Please see our website for more information www.jaybe.com

NEED HELP - CONTACT JAY-BE DIRECTLY

If you require any assistance with your new product please call our in-house specialist support team for expert advice.



FOR ASSISTANCE IN THE UK
Call: +44 (0)1924 66 66 33

Email: service@jaybe.co.uk, Website: www.jaybe.com
Helpline open: Mon to Thurs 9am to 5pm (4pm Friday)



FOR ASSISTANCE IN THE USA
Call: 757 923 3753

Email: care@jaybe.com, Website: www.jaybe.com
Helpline open: Mon to Friday 9am to 5pm EST

JAY-BE®

Your Guest **BED** Specialists

JAY-BE®, Dewsbury Mills, Thornhill Road, Dewsbury, West Yorkshire, WF12 9QE
Tel: +44 (0)1924 66 66 33 Fax: +44 (0)1924 66 66 44 Email: service@jaybe.co.uk

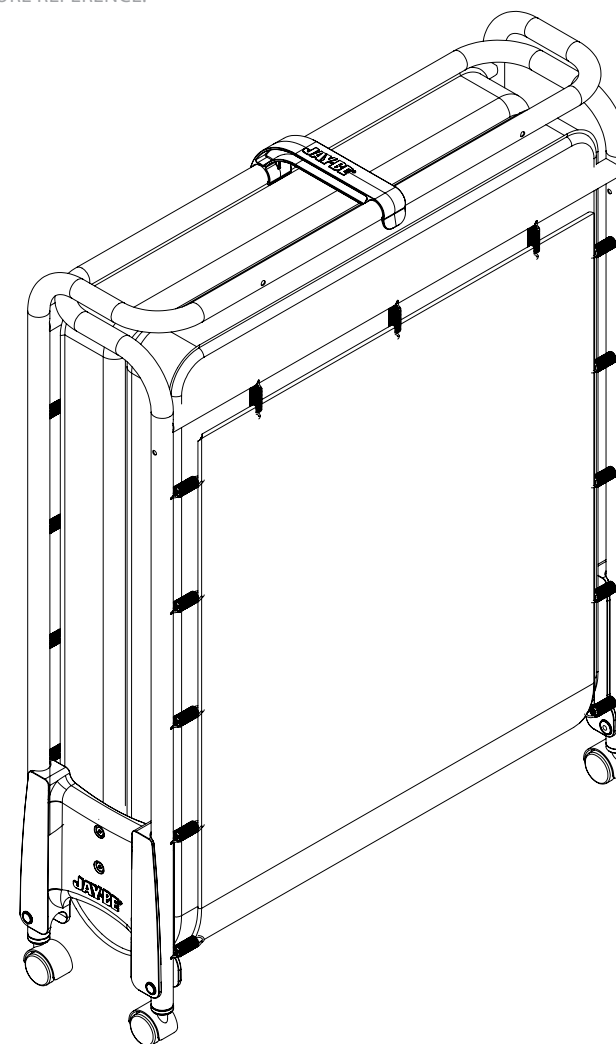
Discover more at www.jaybe.com

YOUR ASSEMBLY AND CARE GUIDE

PLEASE RETAIN FOR FUTURE REFERENCE.
REF: PR 2007

JAY-BE®

Your Guest **BED** Specialists



REGISTER YOUR FREE
LIFETIME GUARANTEE



Scan me!

To register: www.jaybe.com/guarantee-register

WE ARE HERE TO HELP



FOR ASSISTANCE IN THE UK
Call: +44 (0)1924 66 66 33



FOR ASSISTANCE IN THE USA
Call: 757 923 3753

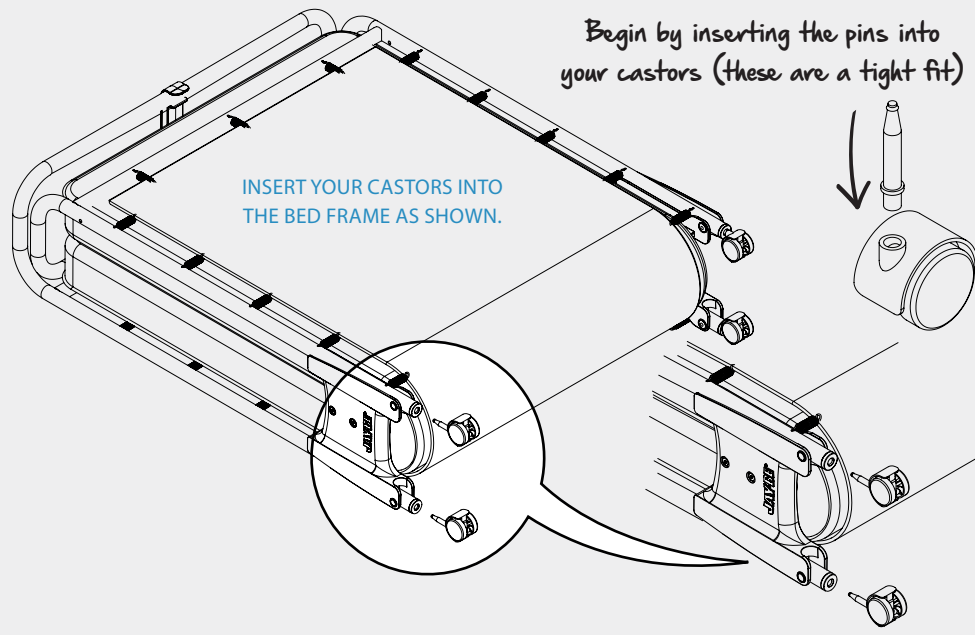
See back page for more details.



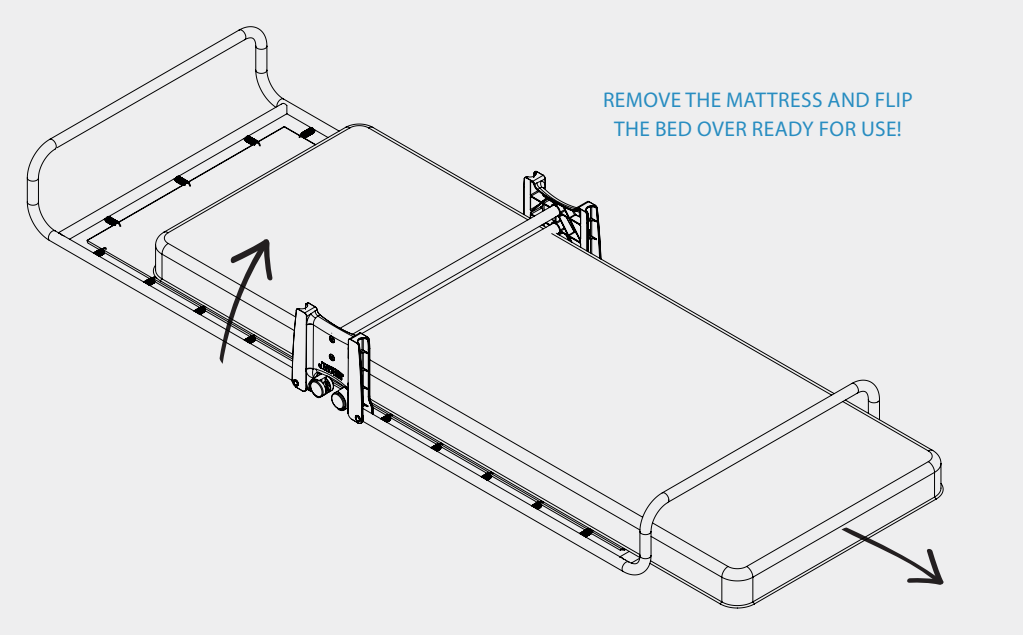
 ASSISTANCE IN THE UK Call: +44 (0)1924 66 66 33  ASSISTANCE IN THE USA Call: 757 923 3753

 ASSISTANCE IN THE UK Call: +44 (0)1924 66 66 33  ASSISTANCE IN THE USA Call: 757 923 3753

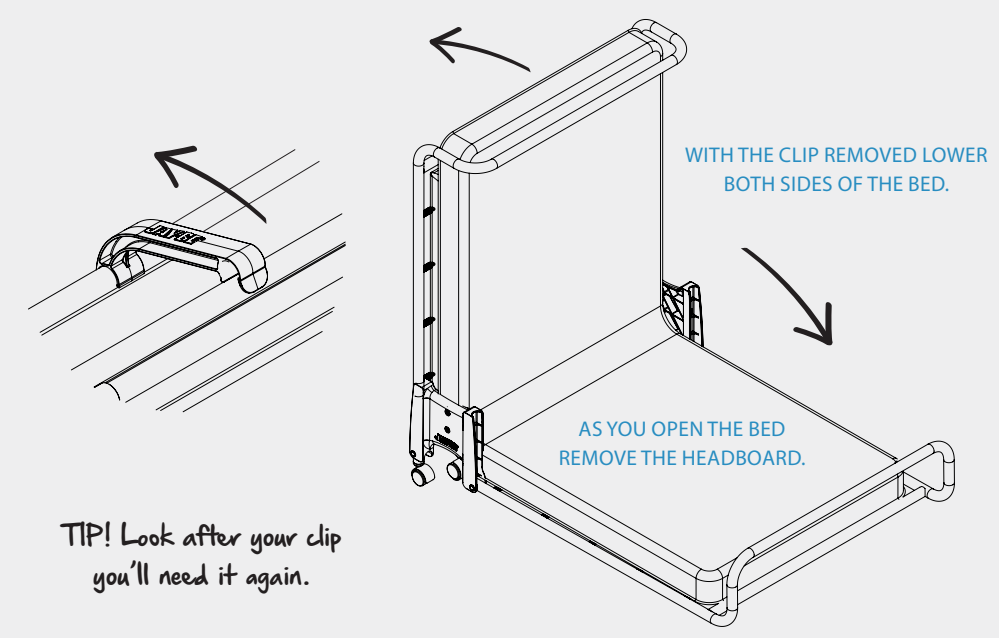
STEP 1 - BEGIN BY FITTING THE CASTORS



STEP 3 - REMOVE MATTRESS AND FLIP



STEP 2 - RELEASE CLIP AND OPEN



STEP 4 - YOUR BED IS NOW READY FOR USE

