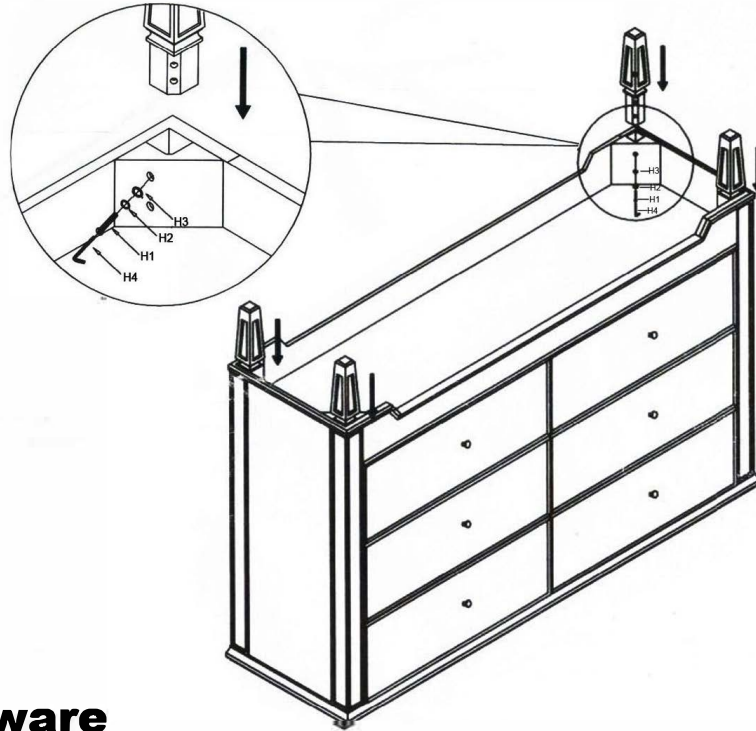


Assembly Instructions



hardware

(H1) x 8
Screw



(H2) x 8
Lock Washer



(H3) x 8
Flat Washer



(H4) x 1
Allen wrench

