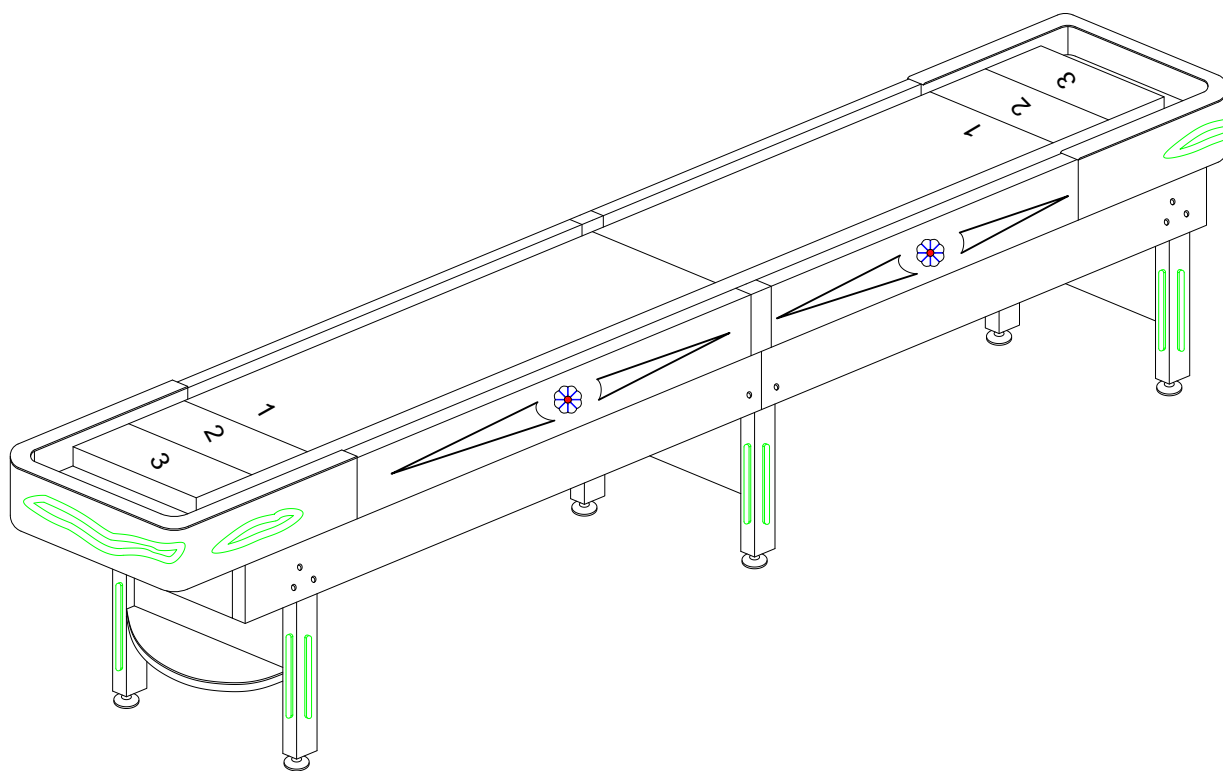
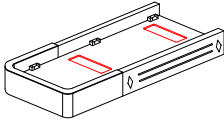
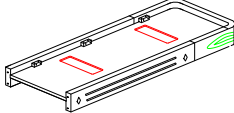
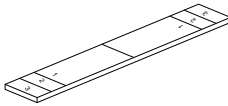
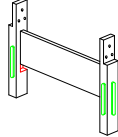
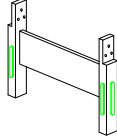

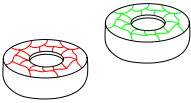

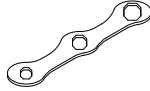

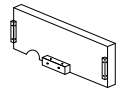
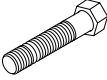





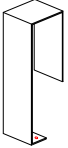
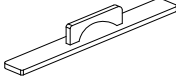
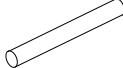
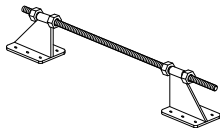
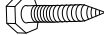



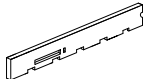

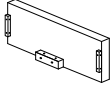


INSTRUCTION MANUAL FOR SHUFFLEBOARD



PARTS LIST

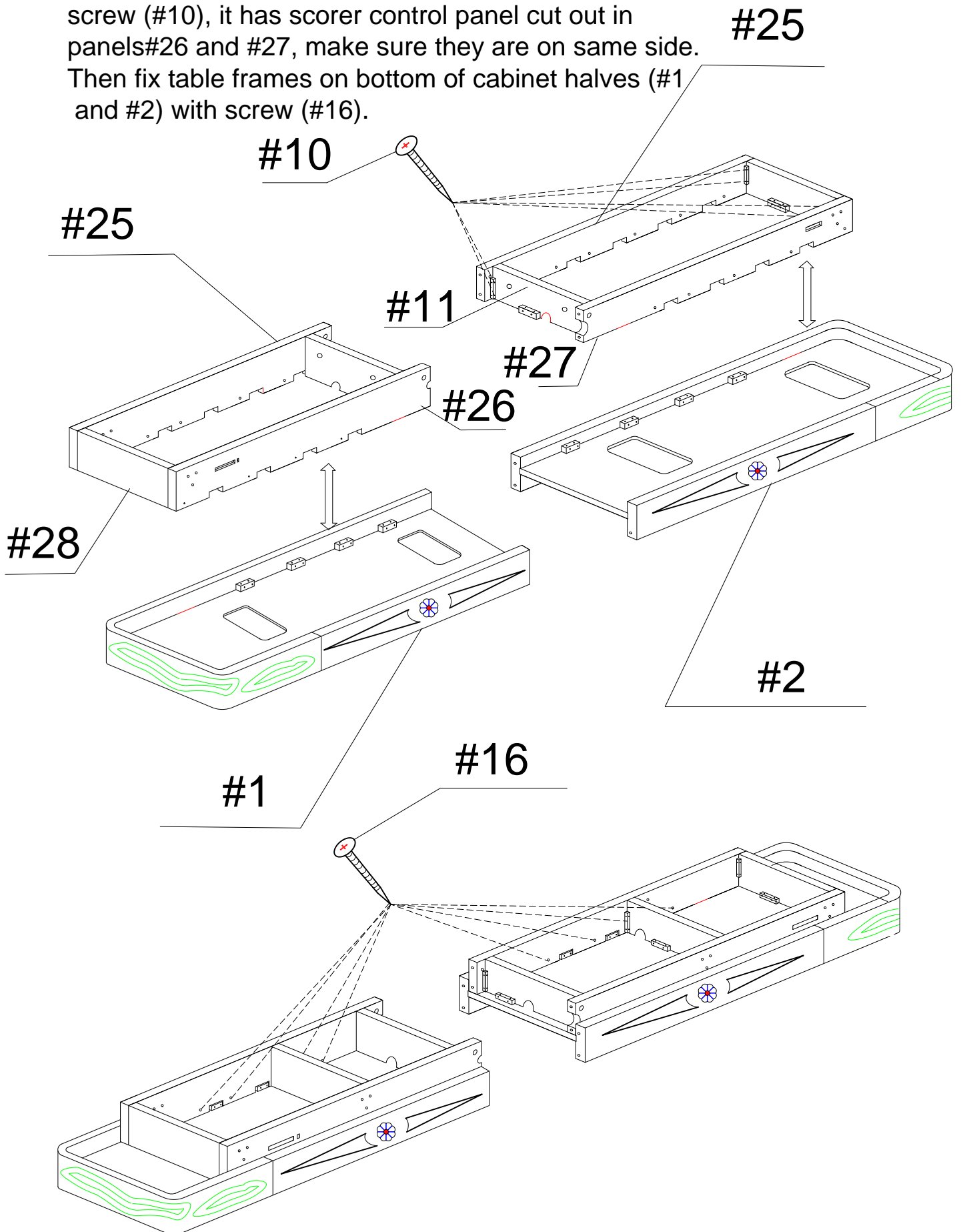
<p>#1</p>  <p>Cabinet half<01> 1 pc</p>	<p>#2</p>  <p>Cabinet half<02> 1 pc</p>	<p>#3</p>  <p>Board 1 pc</p>	<p>#4</p>  <p>Leg < 01 > 2 pcs</p>	<p>#5</p>  <p>Leg < 02 > 1 pc</p>	<p>#6</p>  <p>Leg shelf 2 pcs</p>
<p>#7</p>  <p>Red and blue puck each 8 pcs</p>	<p>#8</p>  <p>Leg leveler 6 pcs</p>	<p>#9</p>  <p>Wrench 1 pc</p>	<p>#10</p>  <p>Screw F4*1-1/2" 36pcs</p>	<p>#11</p>  <p>Frame panel 4 pcs</p>	<p>#12</p>  <p>Bolt 5/16"*3" 16 pcs</p>
<p>#13</p>  <p>Washer 5/16"*23mm 32 pcs</p>	<p>#14</p>  <p>Nut 5/16" 16 pcs</p>	<p>#15</p>  <p>Wrench 1 pc</p>	<p>#16</p>  <p>Screw F4*1-1/4" 40 pcs</p>	<p>#17</p>  <p>Screw F3*12mm 4 pcs</p>	<p>#18</p>  <p>Metal cover 2 pcs</p>
<p>#19</p>  <p>Wiper 1 pc</p>	<p>#20</p>  <p>Tenon 8 pcs</p>	<p>#21</p>  <p>Climate adjuster 6pcs</p>	<p>#22</p>  <p>Screw 5/16"*2-1/4" 72 pcs</p>	<p>#23</p>  <p>Washer 3/8"*25mm 72 pcs</p>	<p>#24</p>  <p>Shuffleboard speed wax 1 pc</p>
<p>#25</p>  <p>Frame panel 2 pc</p>	<p>#26</p>  <p>Frame panel 1 pc</p>	<p>#27</p>  <p>Frame panel 1 pc</p>	<p>#28</p>  <p>Frame panel 2pcs</p>		

ASSEMBLY INSTRUCTION

Step 1: Assembly of cabinet frame

Fix table frame panels (#25, #26, #27, #28, #11) with screw (#10), it has scorer control panel cut out in panels #26 and #27, make sure they are on same side.

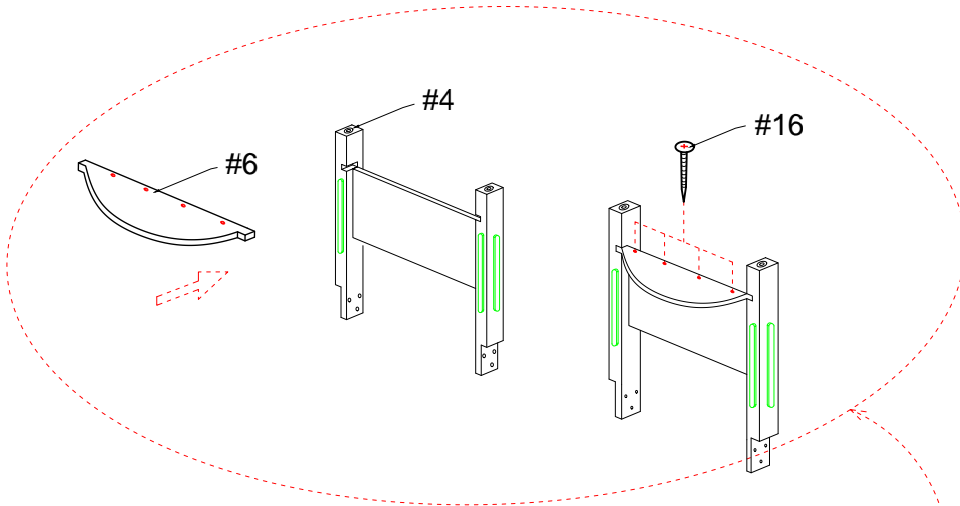
Then fix table frames on bottom of cabinet halves (#1 and #2) with screw (#16).



ASSEMBLY INSTRUCTION

Step 2: Assembly of Legs

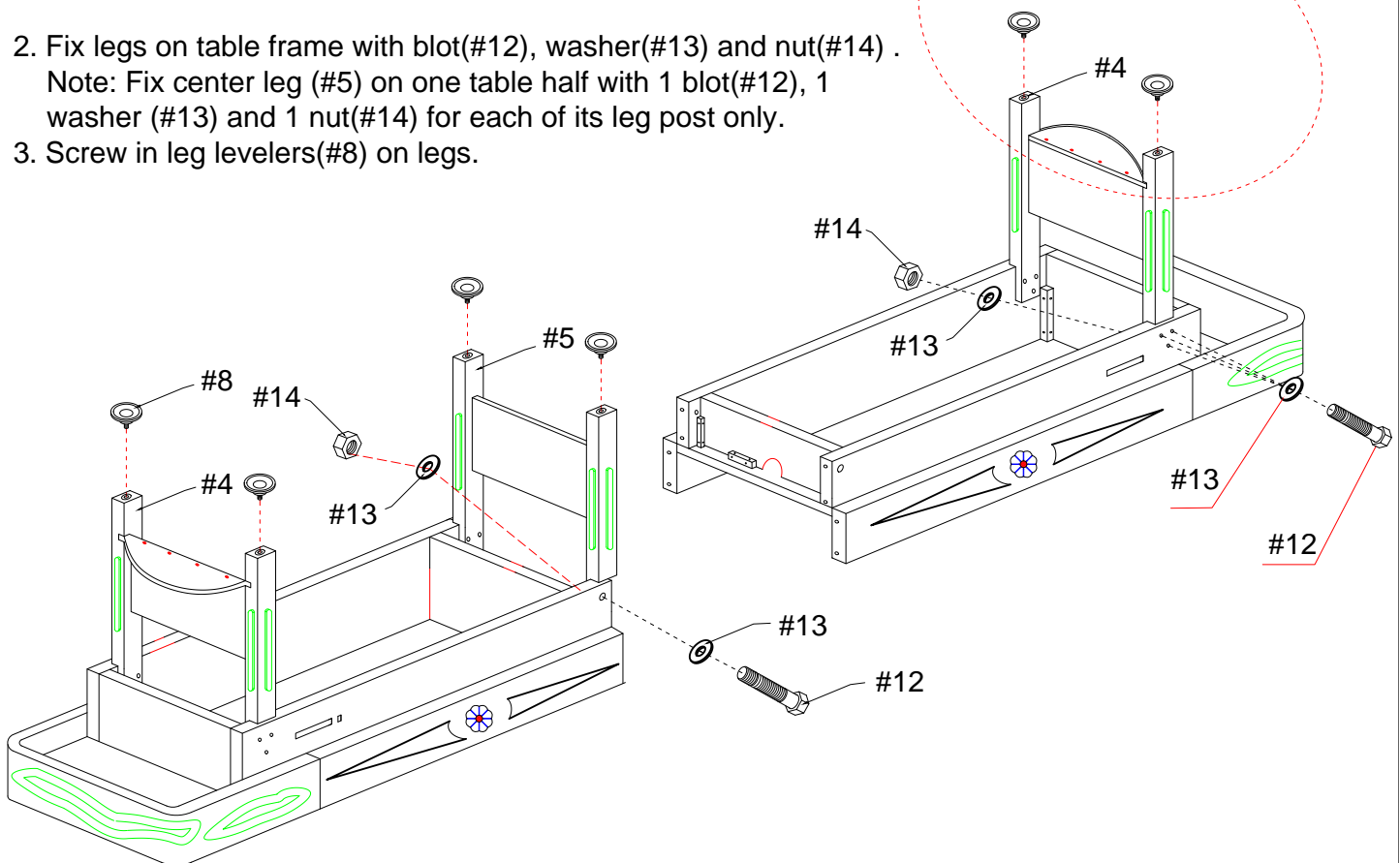
1. Insert leg shelf(#6) into slot of leg(#4) and fix with screw(#16).



2. Fix legs on table frame with blot(#12), washer(#13) and nut(#14) .

Note: Fix center leg (#5) on one table half with 1 blot(#12), 1 washer (#13) and 1 nut(#14) for each of its leg post only.

3. Screw in leg levelers(#8) on legs.



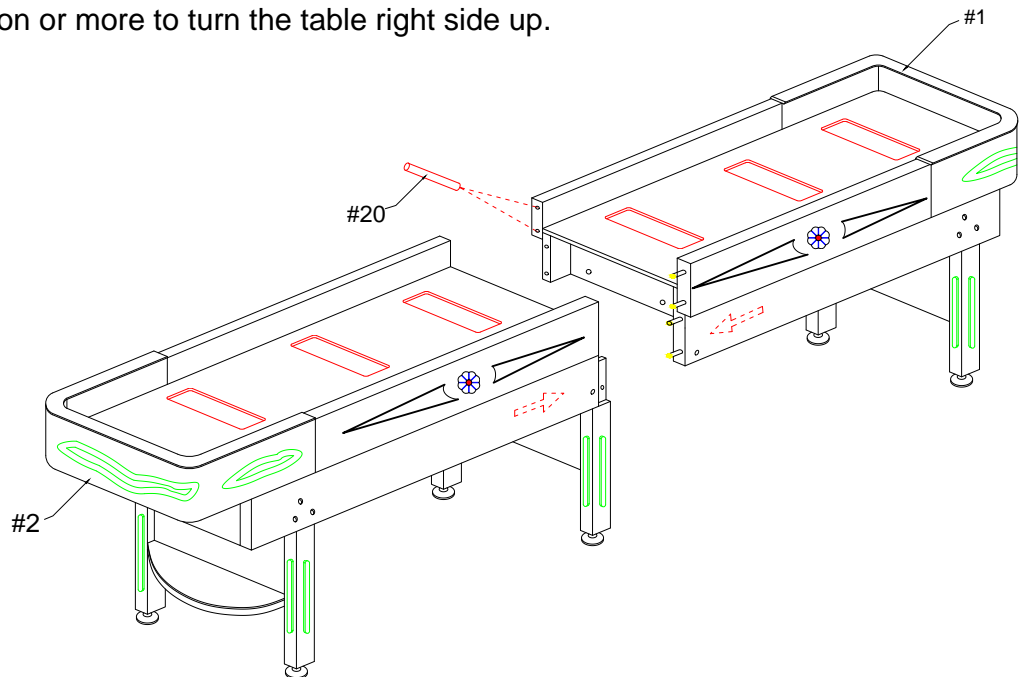
ASSEMBLY INSTRUCTION

Step 3: Assembly of table.

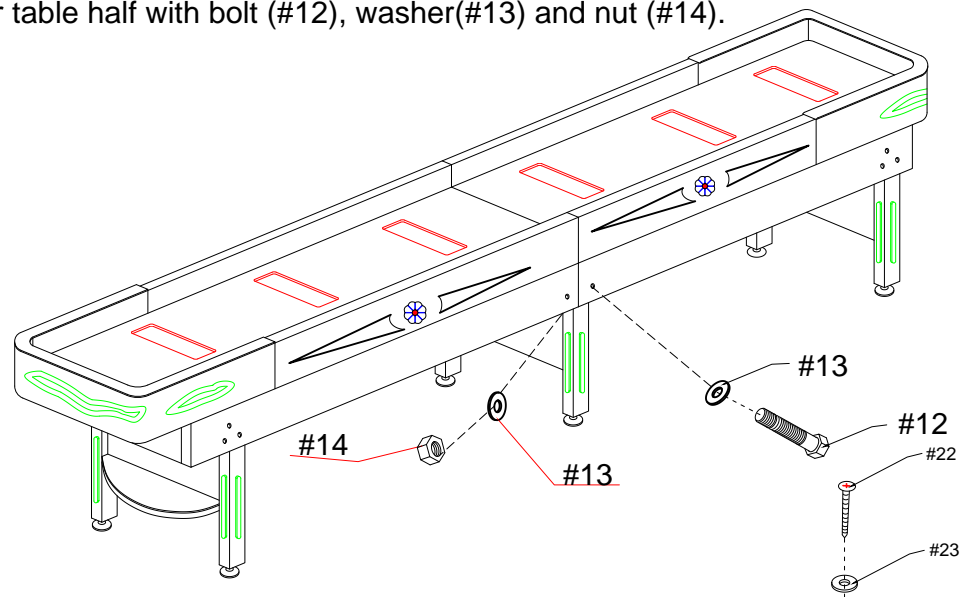
1. Turn table halves right side up and line them up together with tenon (#20).

NOTE: Do not allow the weight of the table to rest on the side of the legs.

Have two person or more to turn the table right side up.

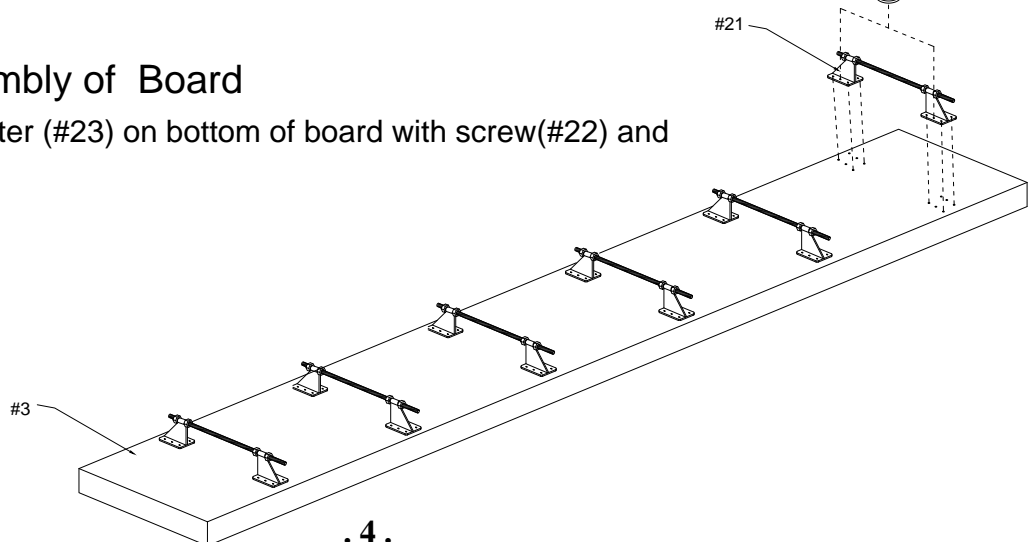


3. Fix center leg to another table half with bolt (#12), washer(#13) and nut (#14).



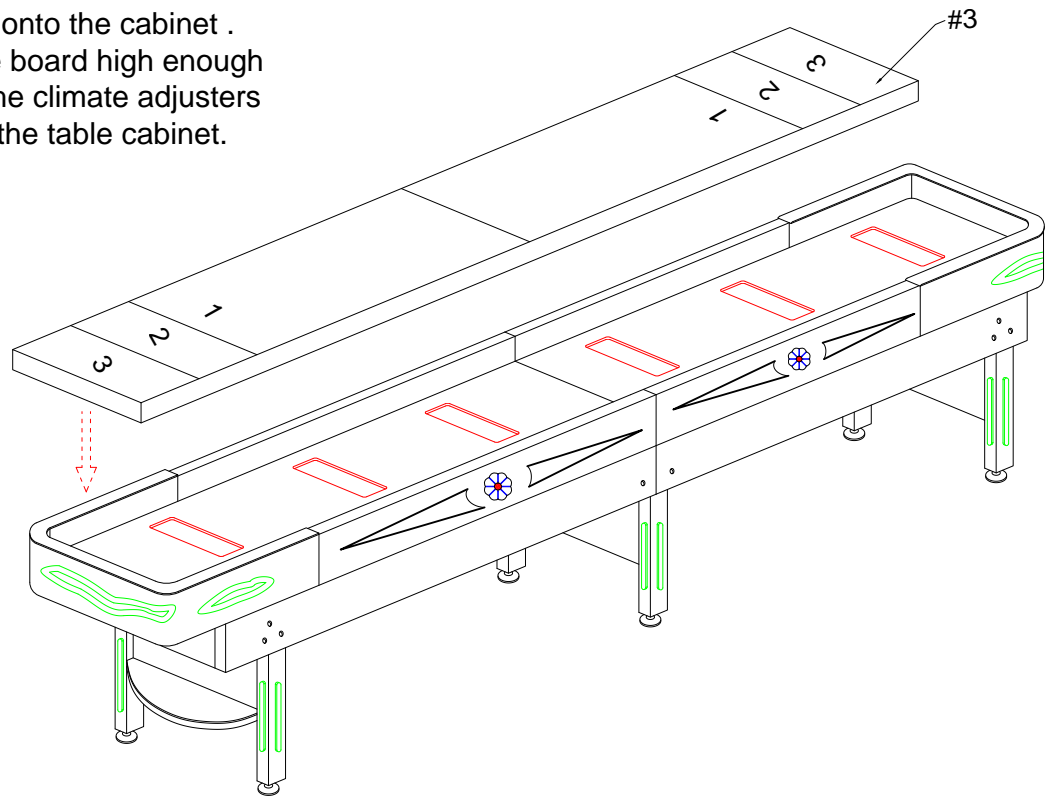
Step 4: Assembly of Board

1. Fix climate adjuster (#21) on bottom of board with screw(#22) and washer(#23) .



ASSEMBLY INSTRUCTION

2. Place board onto the cabinet .
Note: Lift up the board high enough
so that the climate adjusters
don't hit the table cabinet.



- Step 5: Fix metal cover (#18) with screw (#17) on center part of cabinet side.

