
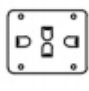
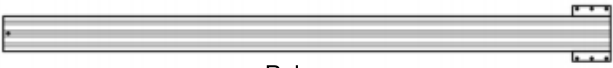
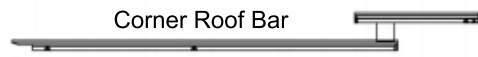
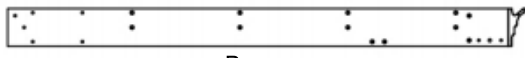






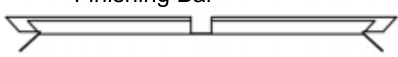
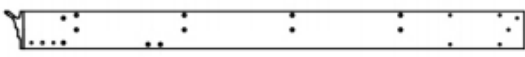


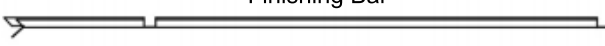



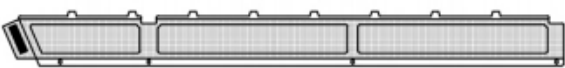
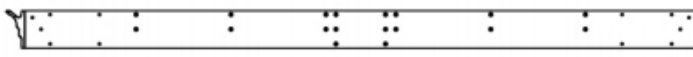
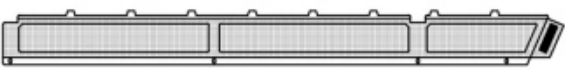

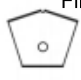

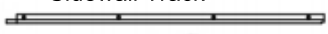


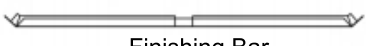


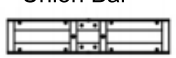




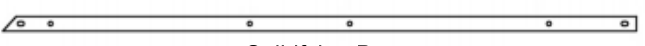
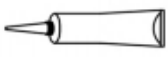



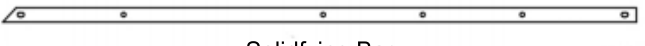
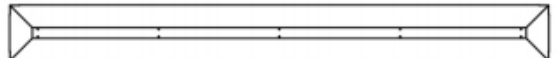



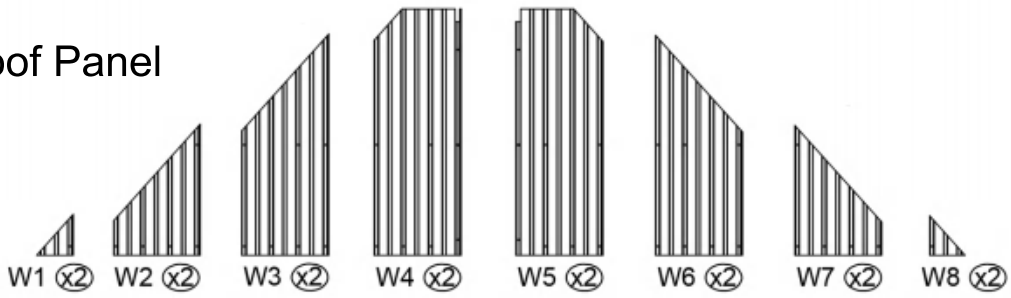
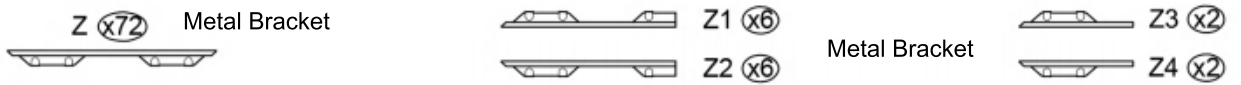
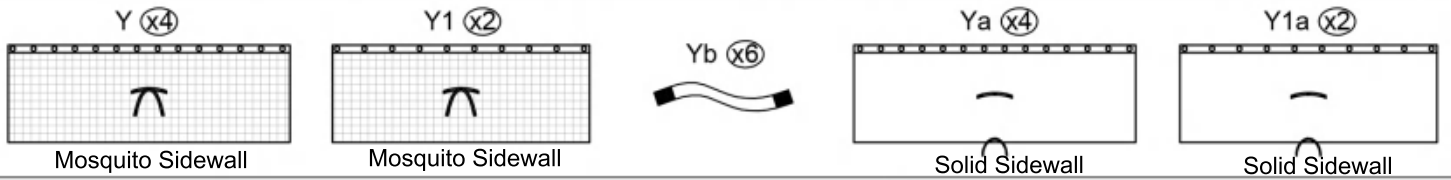
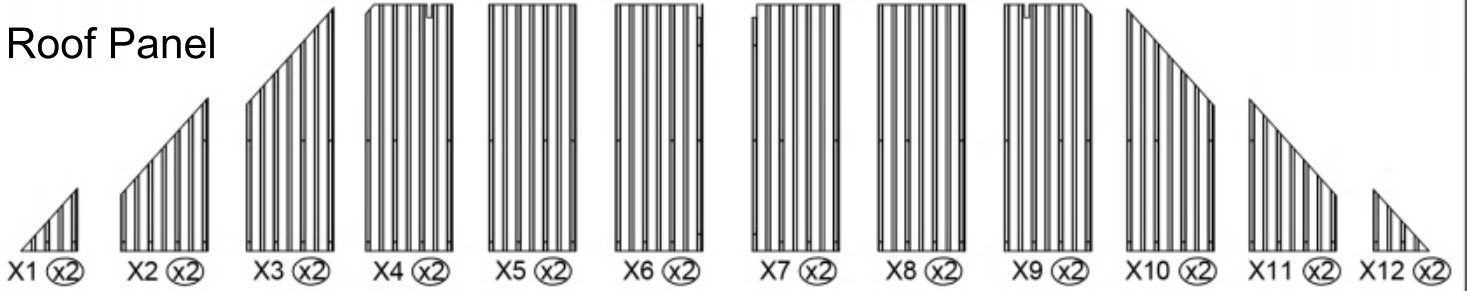
 Pole A (x4)	 Base L (x4)	 Base L1 (x2)
 Pole B (x2)	 Corner Roof Bar M (x4)	
 Beam C (x4)	 Roof Bar N (x2)	
 Sidewall Track C1 (x4)	 Roof Bar N1 (x4)	
 Jointer Bar C2 (x2)	 Roof Bar N2 (x2)	
 Jointer Bar C3 (x2)	 Finishing Bar P (x2)	
 Beam D (x4)	 Net Frame P1 (x2)	
 Sidewall Track D1 (x4)	 Finishing Bar Q1 (x2)	
 Jointer Bar D2 (x2)	 Finishing Bar Q2 (x2)	
 Jointer Bar D3 (x2)	 Net Frame Q3 (x2)	
 Beam E (x2)	 Net Frame Q4 (x2)	
 Sidewall Track E1a (x2)	 Finishing End R (x8)	 Finishing End R1 (x2)
 Sidewall Track E1b (x2)	 Spacer S (x160)	
 Jointer Bar E2a (x2)	 Finishing Bar T (x2)	
 Jointer Bar E2b (x2)	 Finishing Bar T1 (x2)	
 Union Bar F (x6)	 Corner Cover G (x4)	 Finishing Bar T2 (x2)
 Joint Cover H (x6)	 Joint Cover H1 (x6)	 Solidifying Bar U1 (x4)
 Joint Cover H2 (x1)	 Corner Solidifying Bar J1 (x4)	 Corner Solidifying Bar J2 (x4)
 Inside Roof Connector K (x1)	 Solidifying Bar U2 (x4)	
 Outside Roof Connector K1 (x1)	 Iron Angle U3 (x4)	 Iron Angle U4 (x8)
	 Solidifying Bar U5 (x4)	



Roof Panel

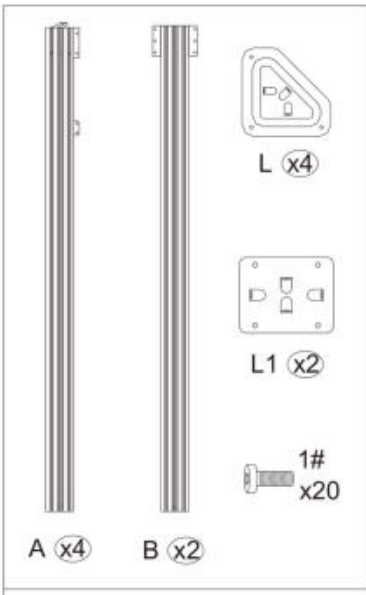


Roof Panel

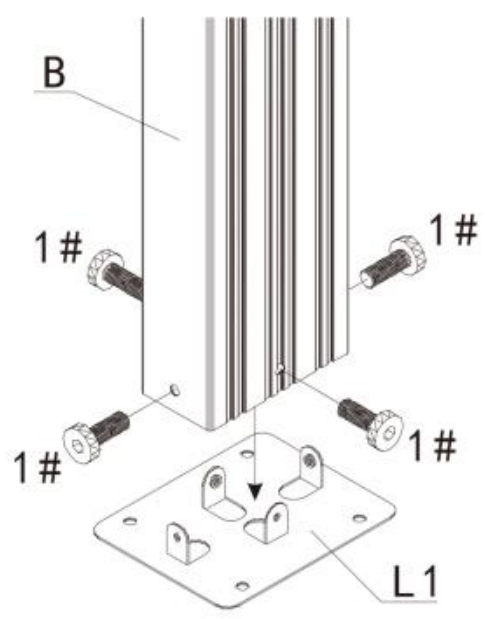
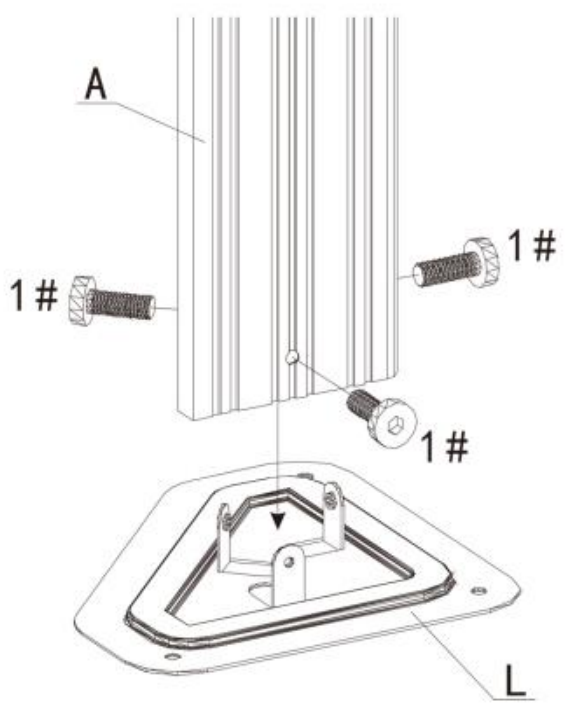
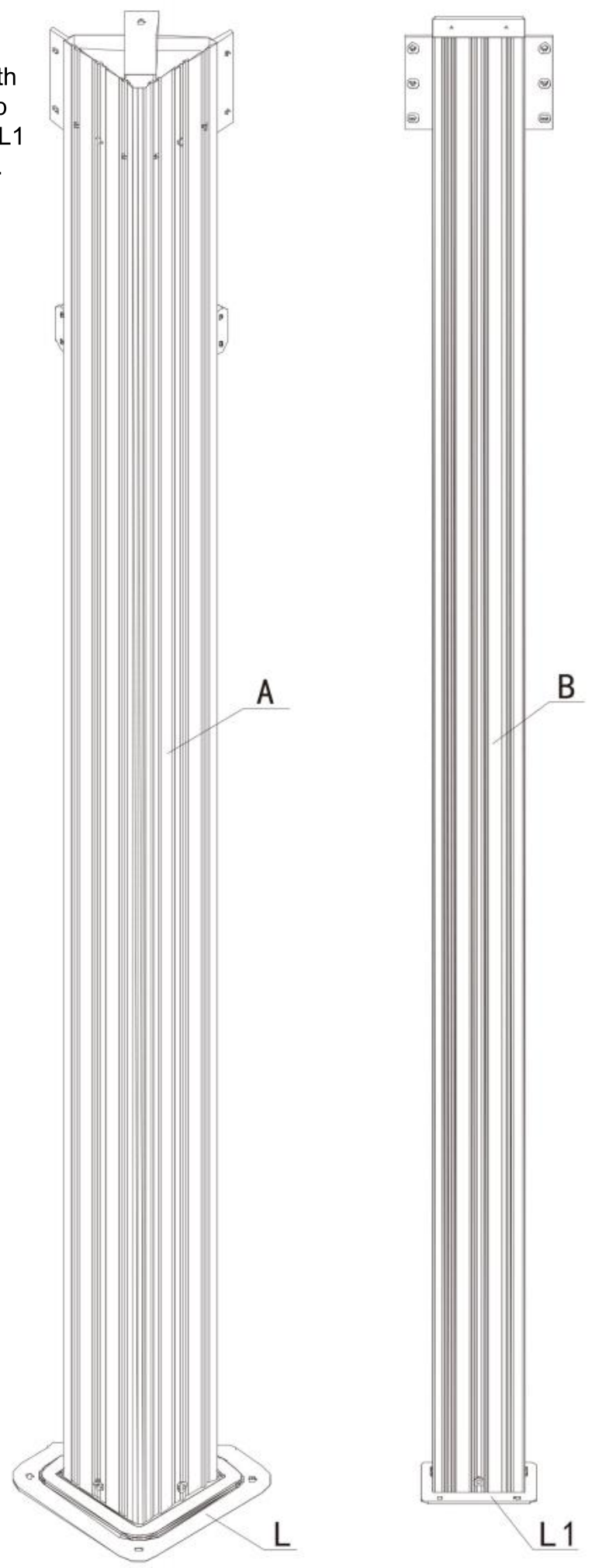


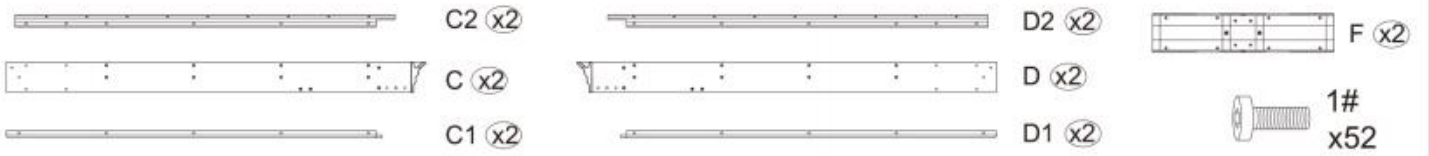
	M6x16	Screws	1# x301+2
	M6x20	Screws	2# x28+2
		Screws	3# x16+2
		Hook	4# x152
	M6x28	Screws	5# x100+2
	M6x45	Screws	6# x8+1
	M6x50	Screws	7# x48+1
	M5x16	Screws	8# x6 +1
	ST4.8x13	Screws	9# x28+2
	M6x25	Screws	10# x4 +1
	M6x10	Screws	11# x12+1



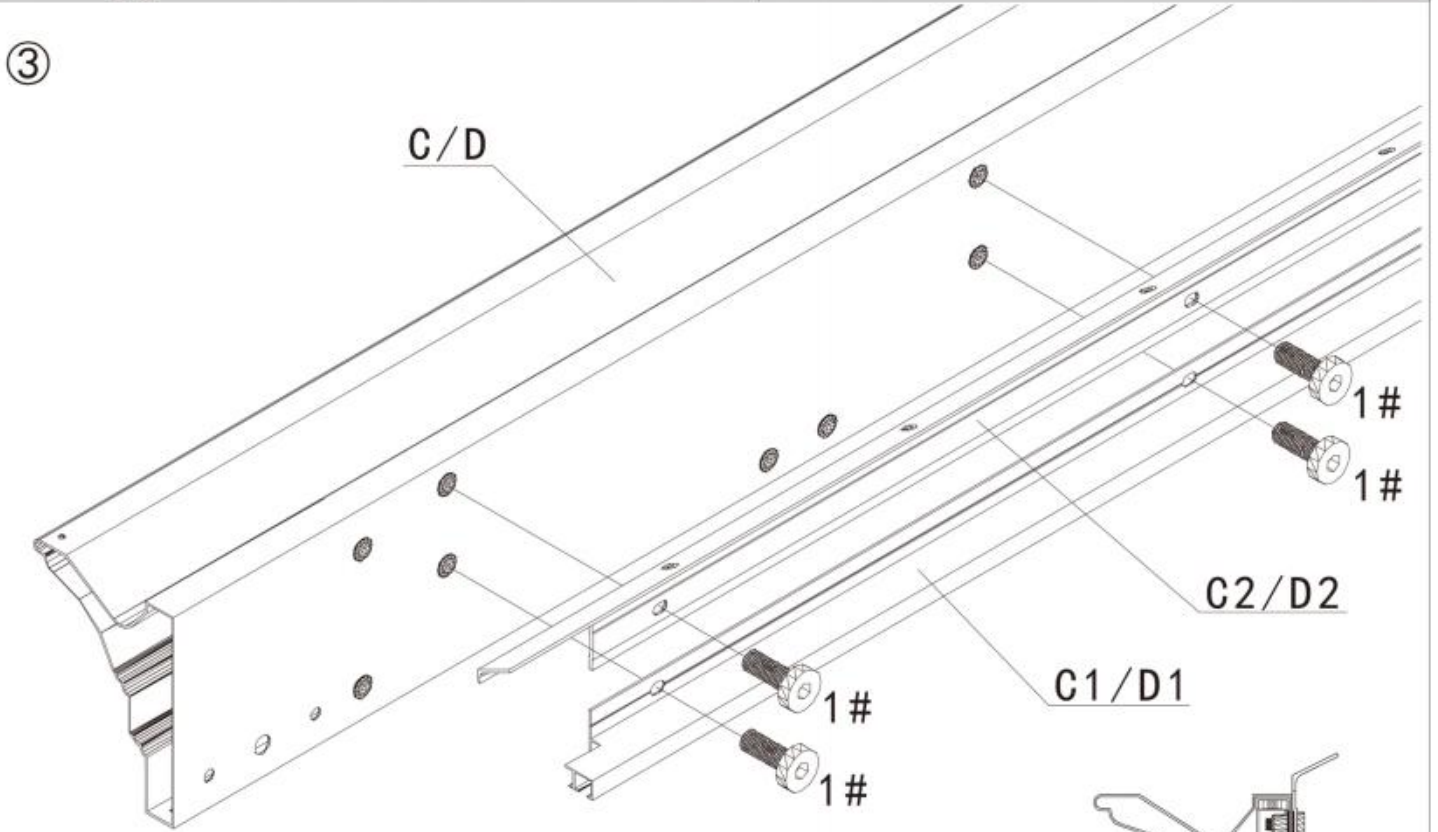
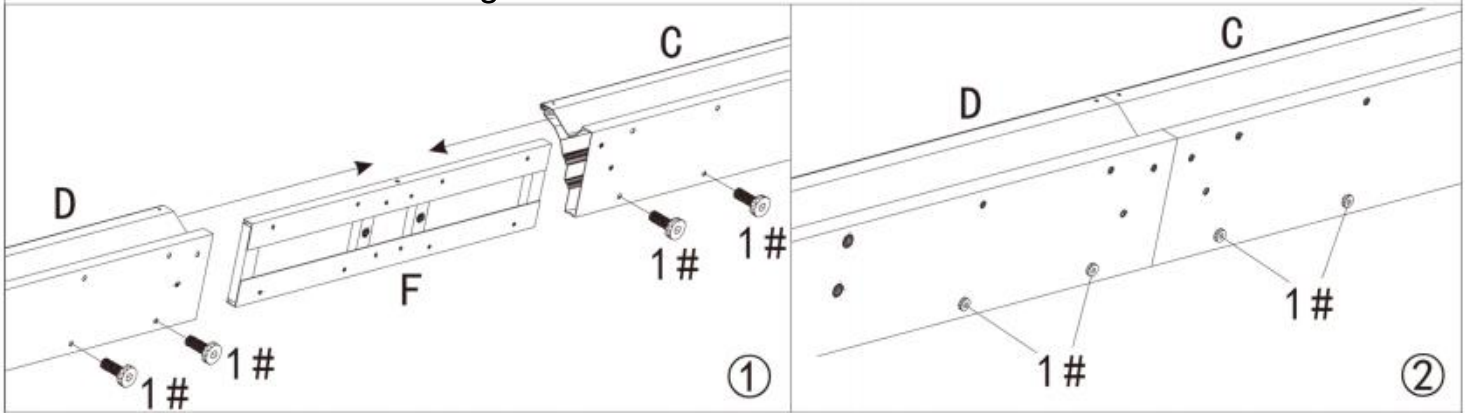


**Step 1:**  
 Set up Part A with Part L and set up Part B with Part L1 using screws 1#.

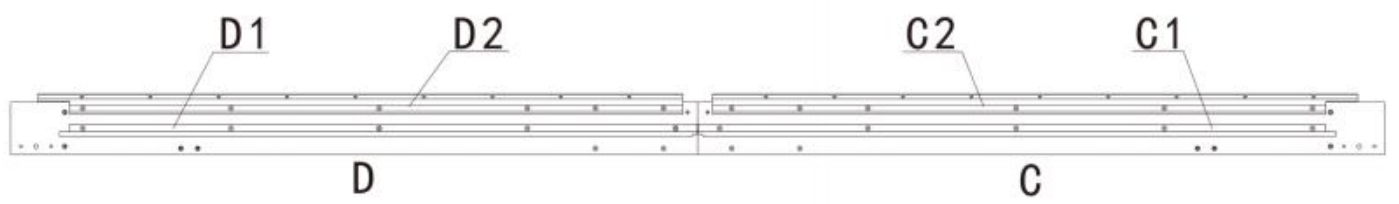
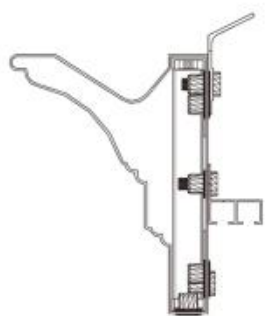


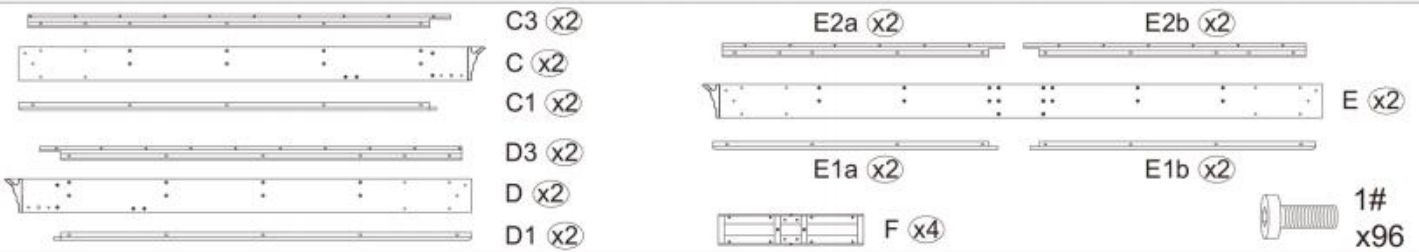


**Step 2:** Insert Part F to Part D and Part C, connect it with screws 1# as shown in diagram.

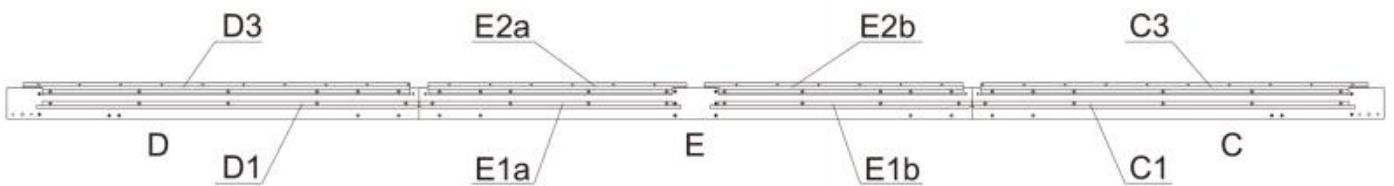
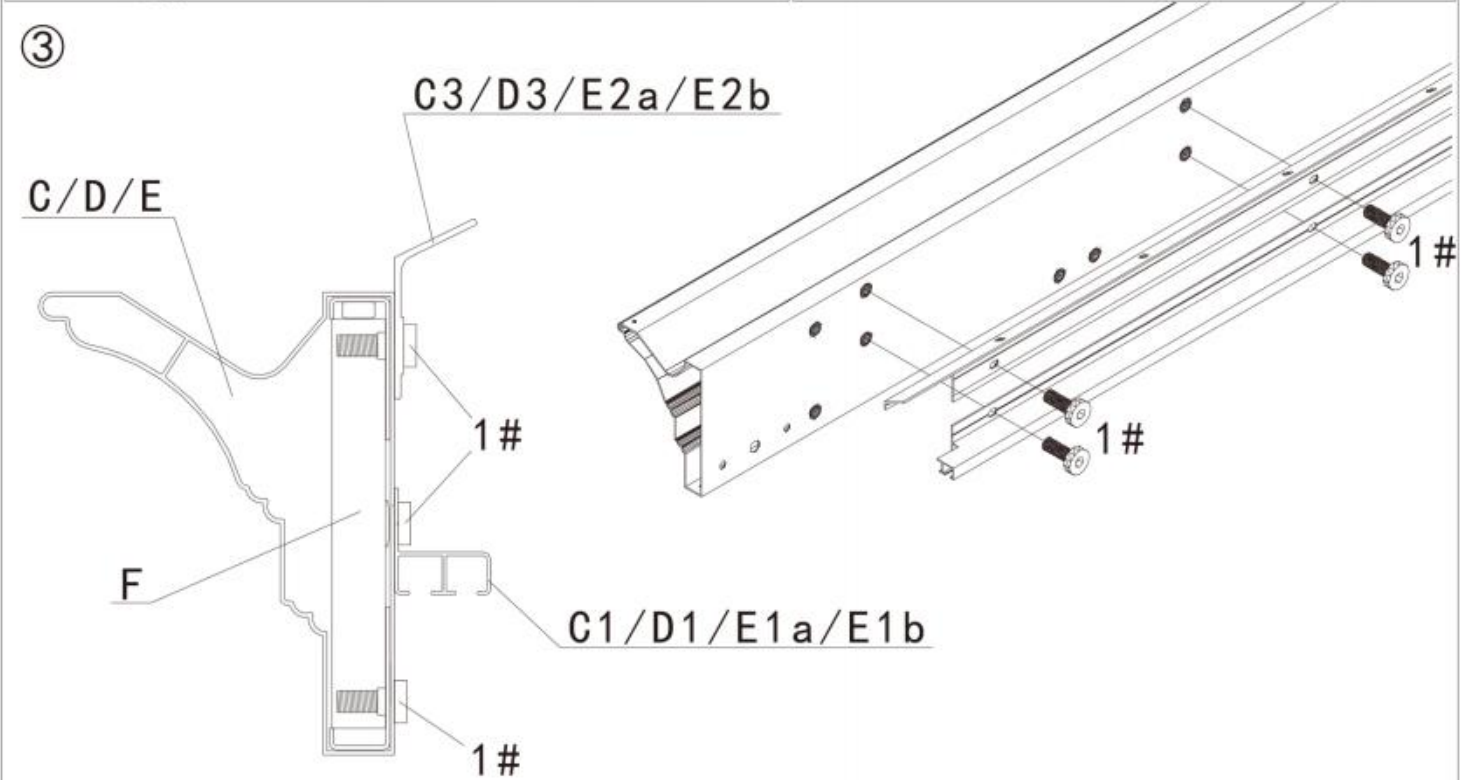
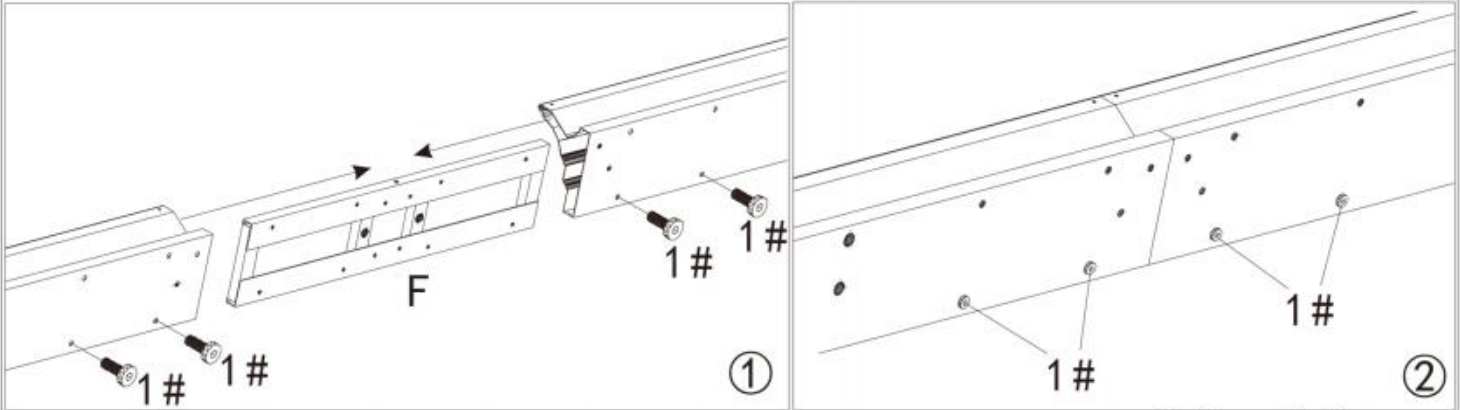


Connect Parts C2&D2 to Part C&D using screws 1#.  
 Attach Parts C1&D1 to Part C&D using screws 1#.



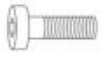


**Step 3:** Connect Part D,E&C into one beam using Part F with screws 1#.



Attach sidewall Track Parts (D1,C1,E1a&E1b) to finished beam(D,E&C) using screws 1#.

Attach Jointer Bar Parts (D3,E2a,E2b&C3) to finished beam(D,E&C) using screws 1#.



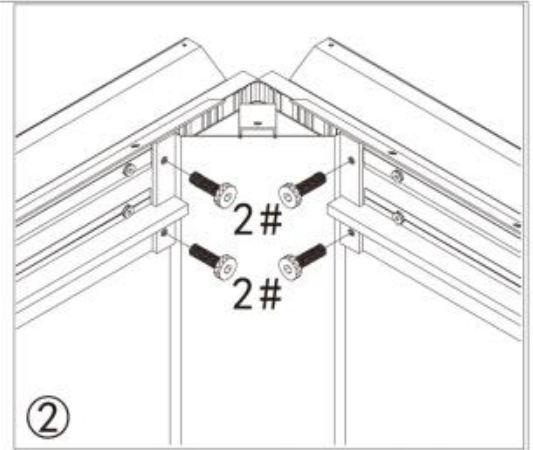
2#  
x28



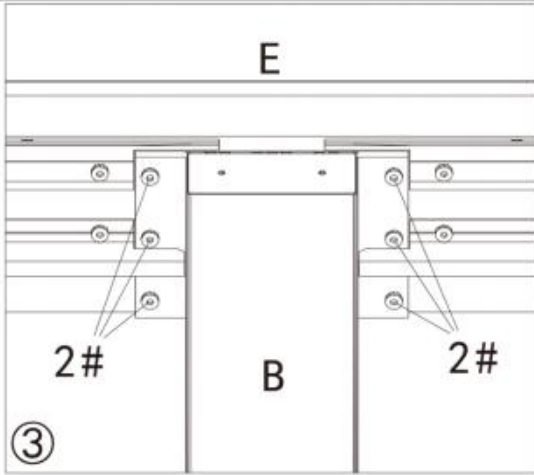
3#  
x16

### Step 4:

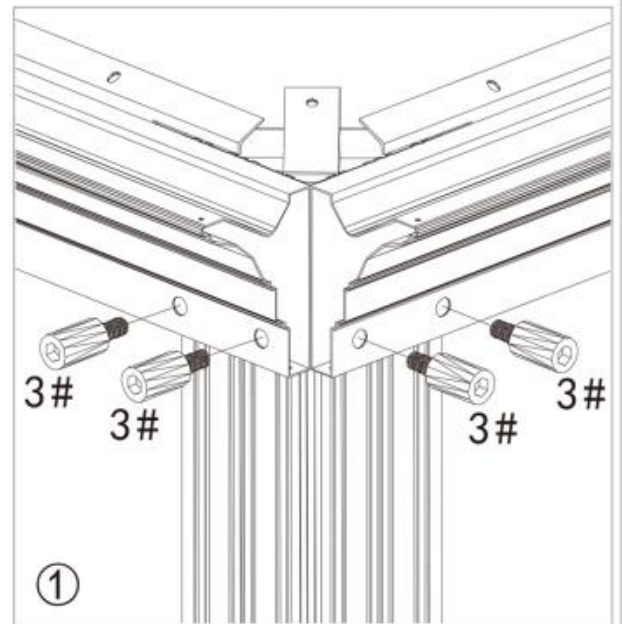
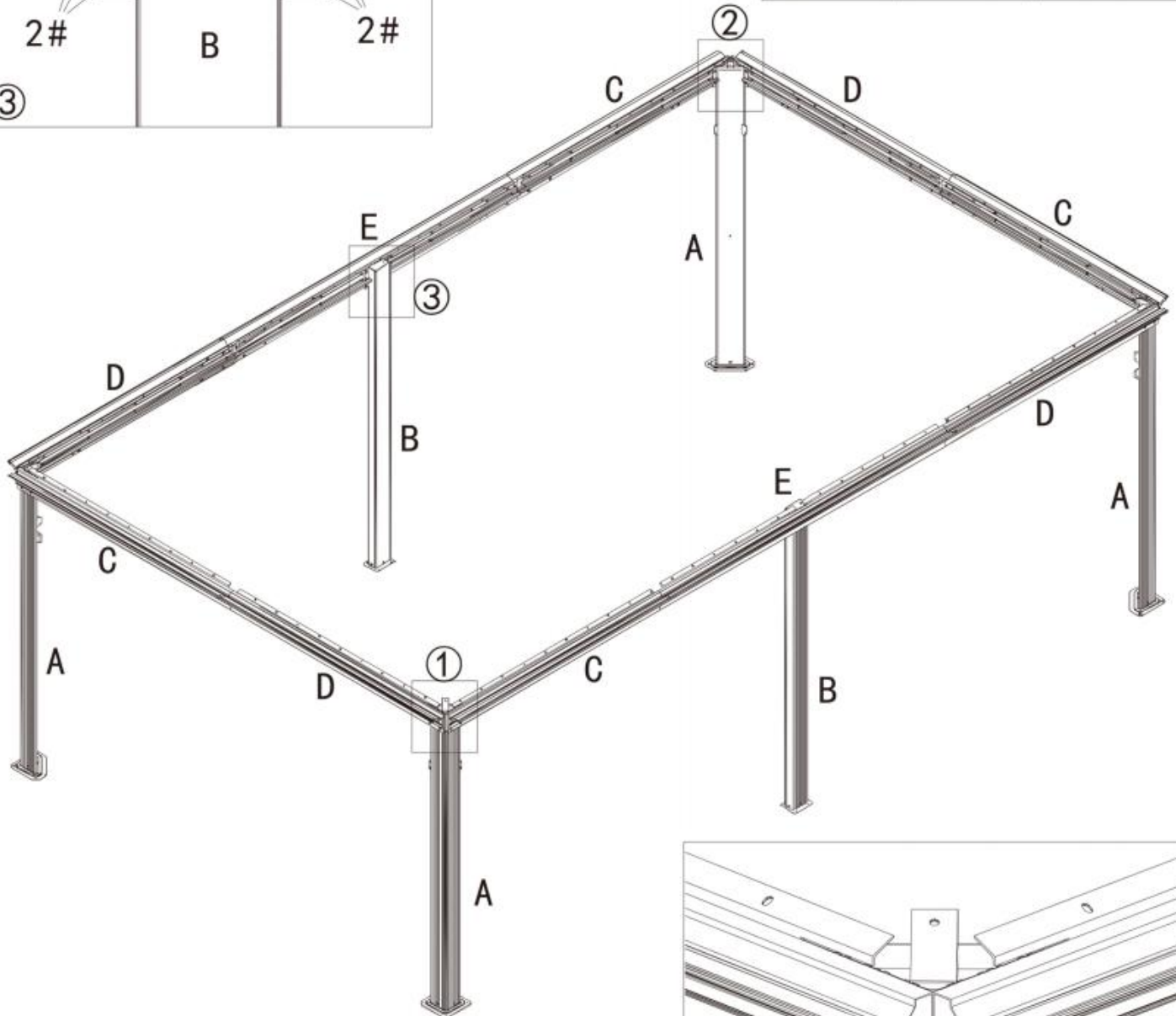
Connect poles&beams  
together using screws  
2#&3#.



②

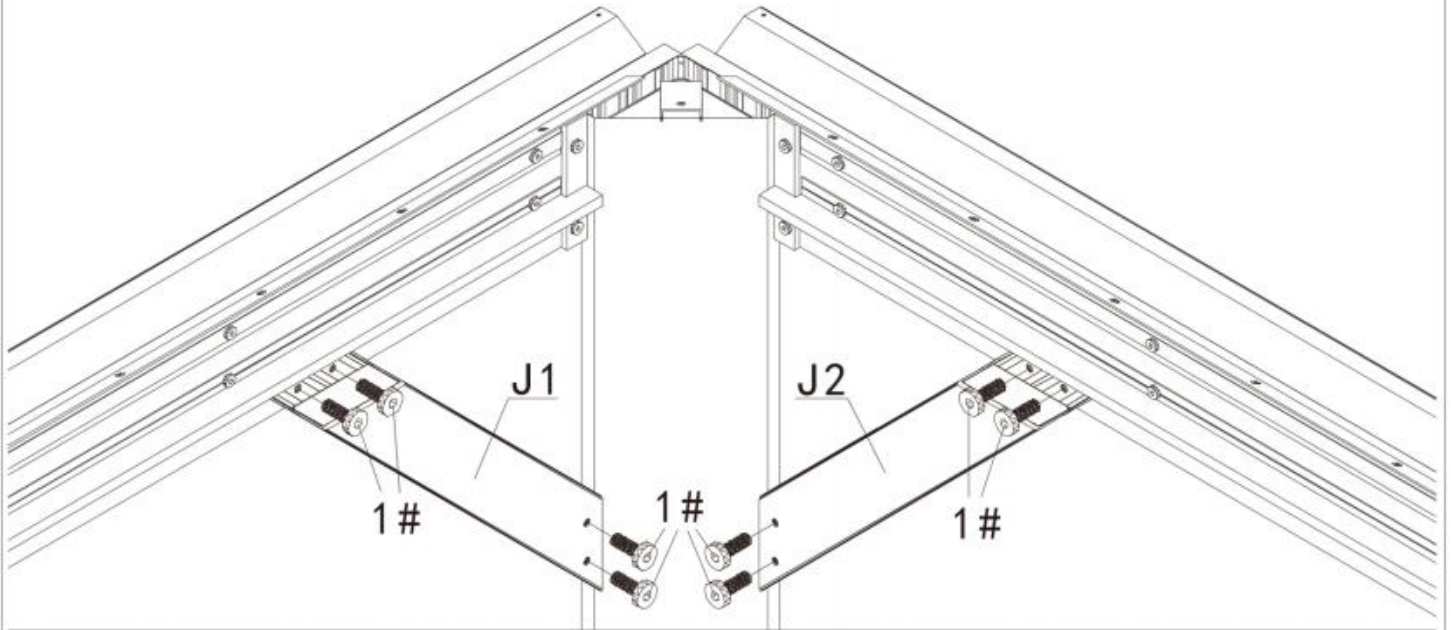
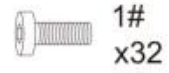


③



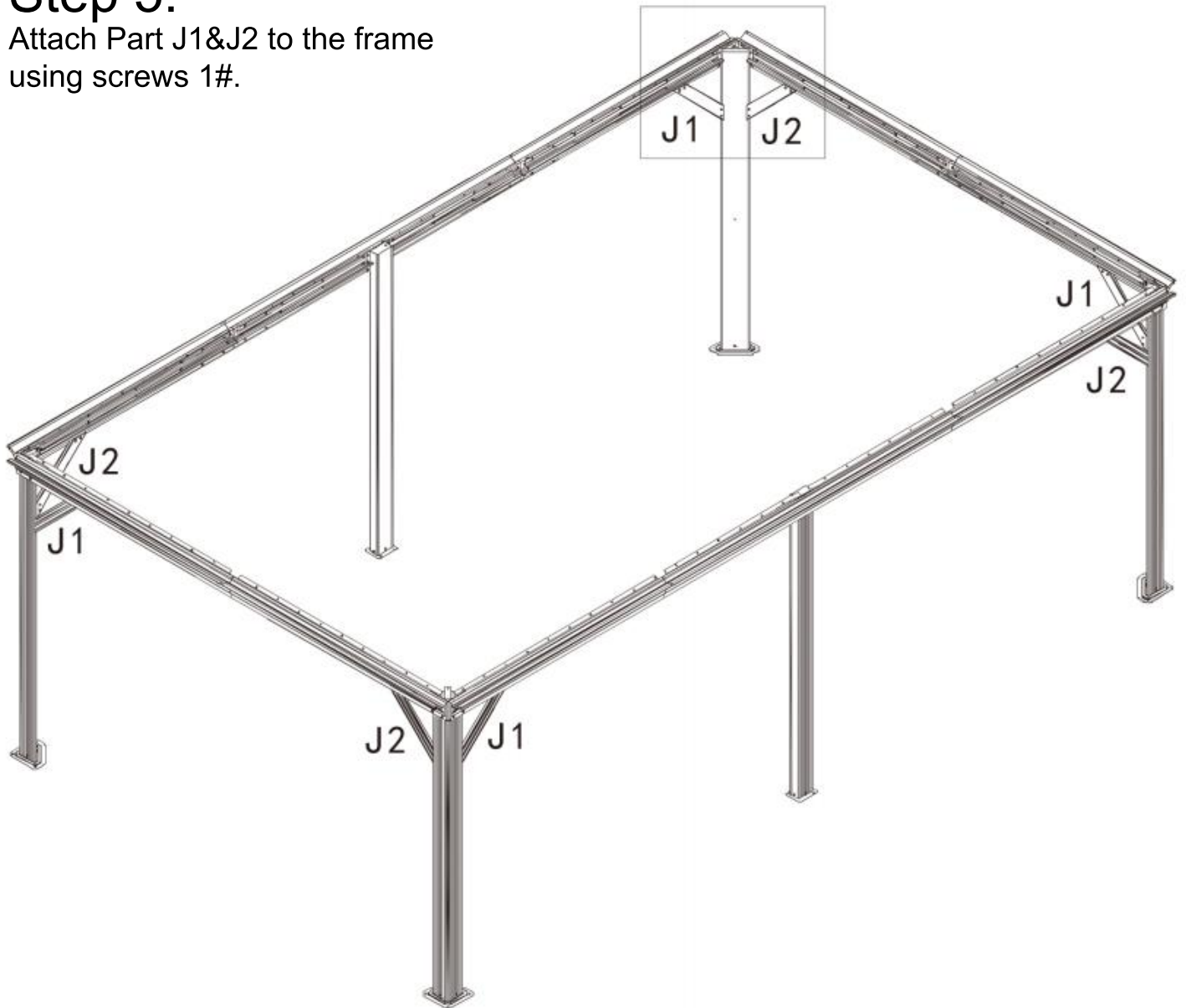
①





## Step 5:

Attach Part J1&J2 to the frame using screws 1#.





G (x4)



H (x6)



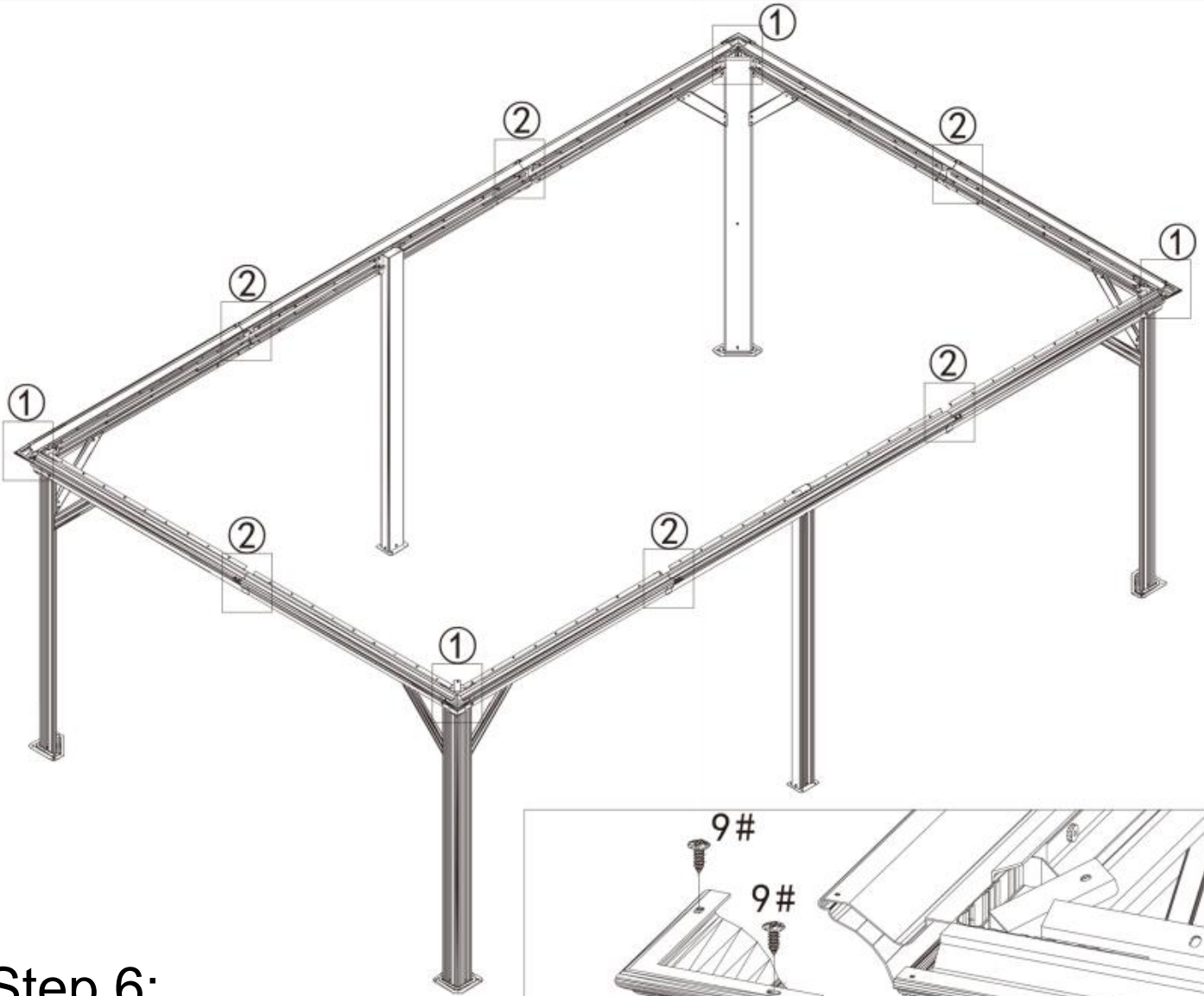
8#  
x6



9#  
x28

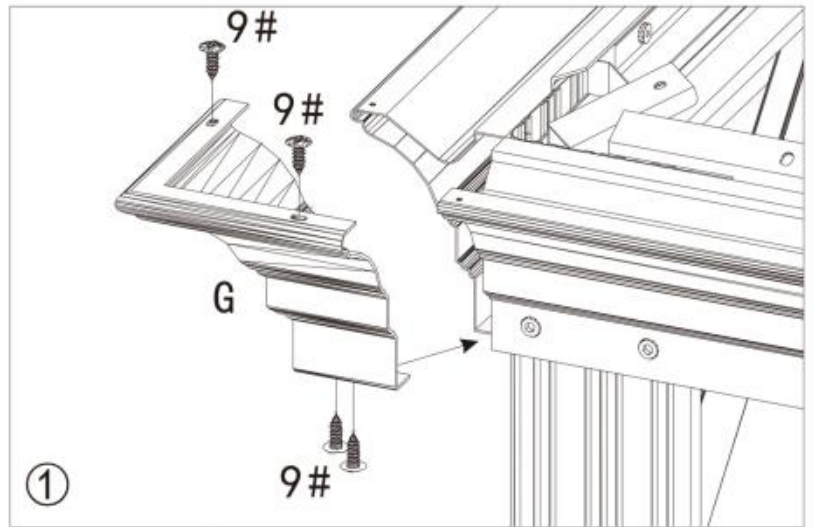


H2 (x1)

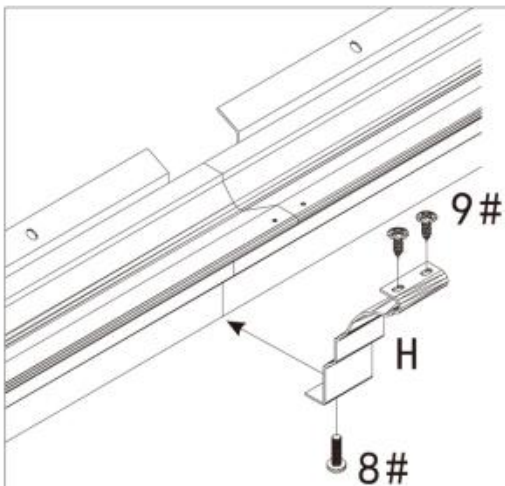


## Step 6:

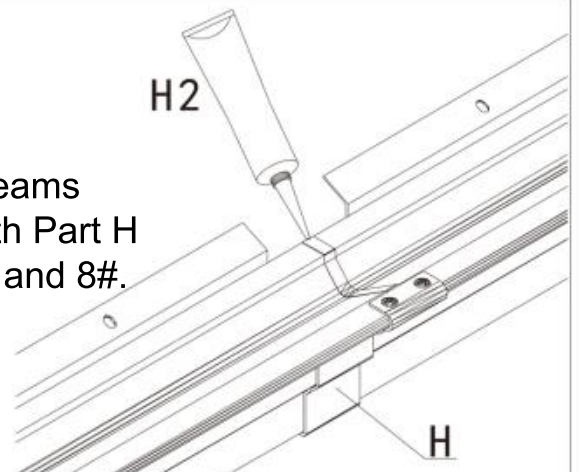
Cover four corners with Part G using screws 9#.



②



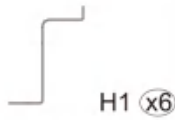
Fix the middle beams marked as ② with Part H using screws 9# and 8#.





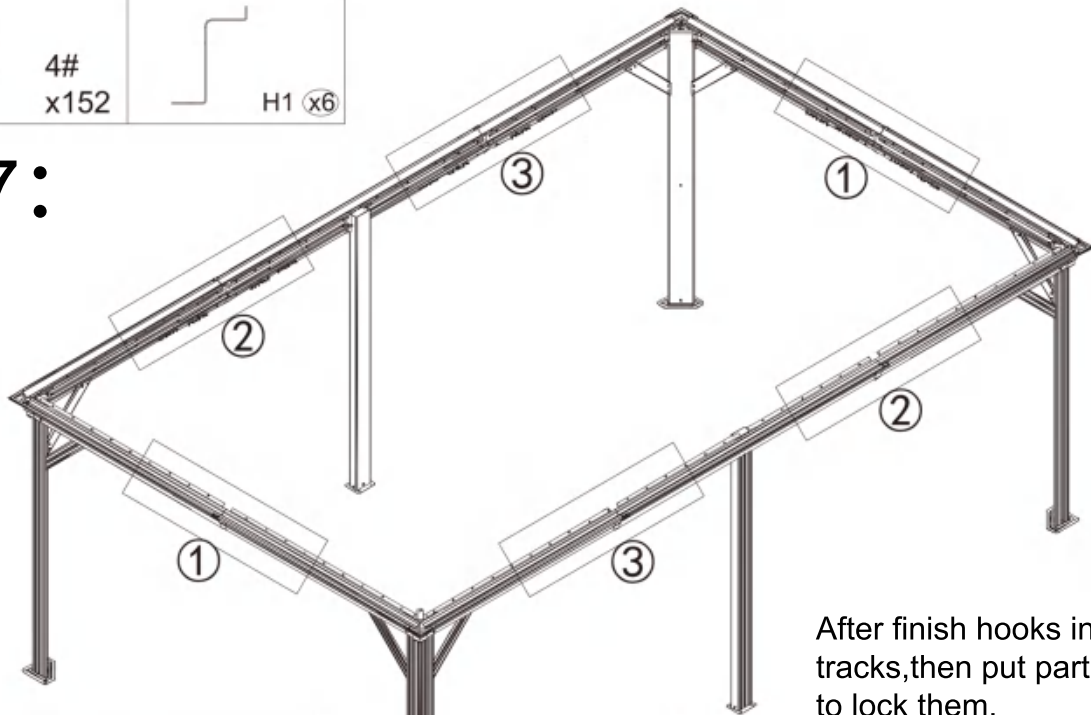


4#  
x152

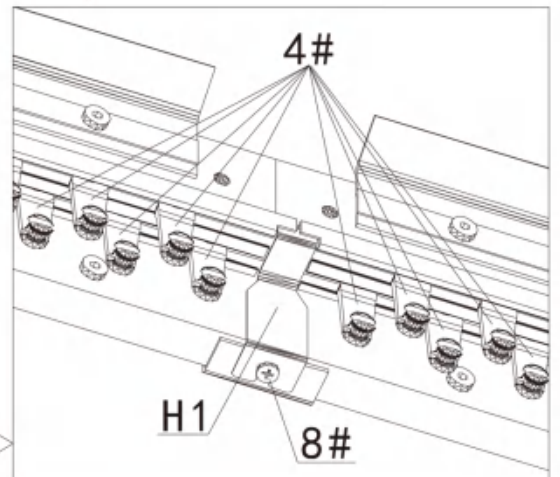
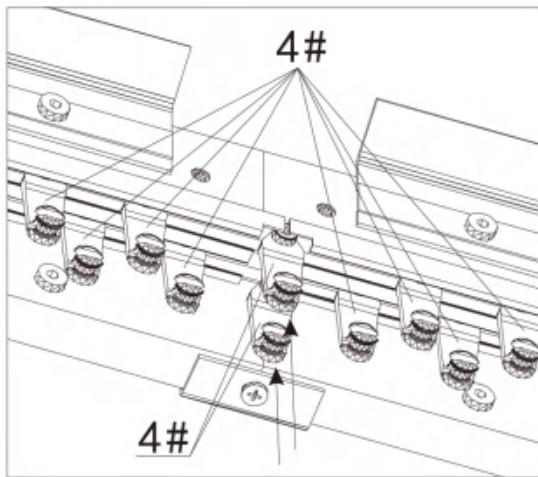


H1 x6

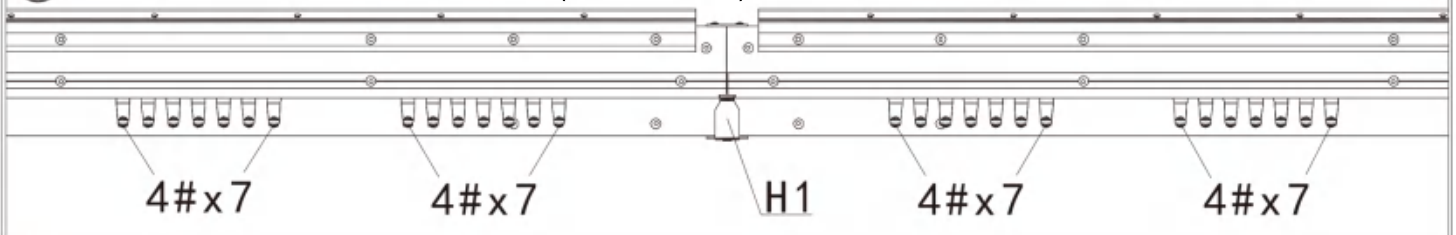
# Step 7:



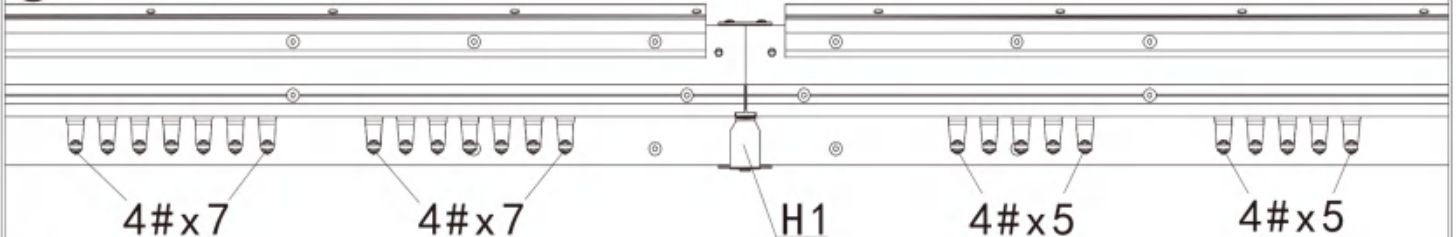
After finish hooks into tracks, then put part H1 to lock them.



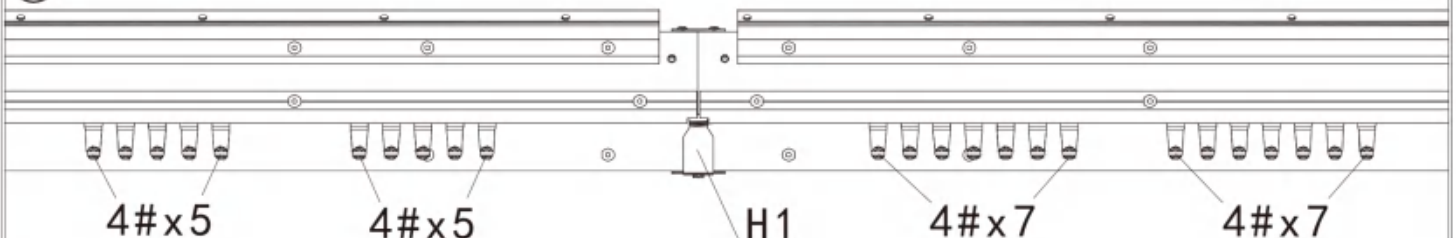
① Put 7 hooks to each sidewall track (Part C1&D1).



② Put 7 hooks to each sidewall track Part C1 and 5 hooks to sidewall track Part E1b.



③ Put 7 hooks to each sidewall track Part D1 and 5 hooks to sidewall track Part E1a.





K (x1)



1#  
x36



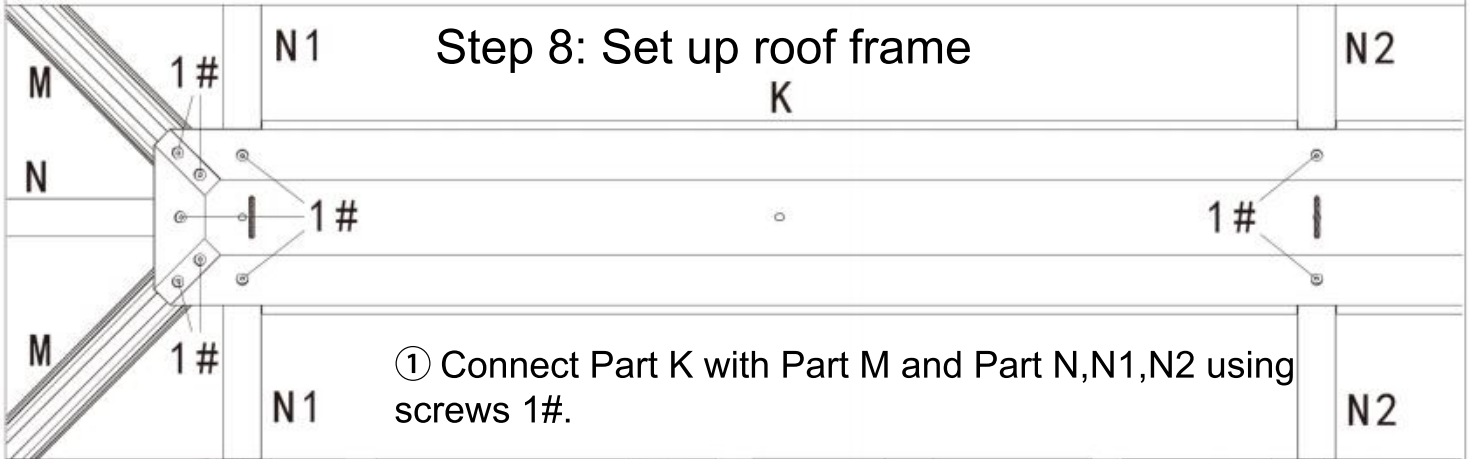
N (x2)

N1 (x4)

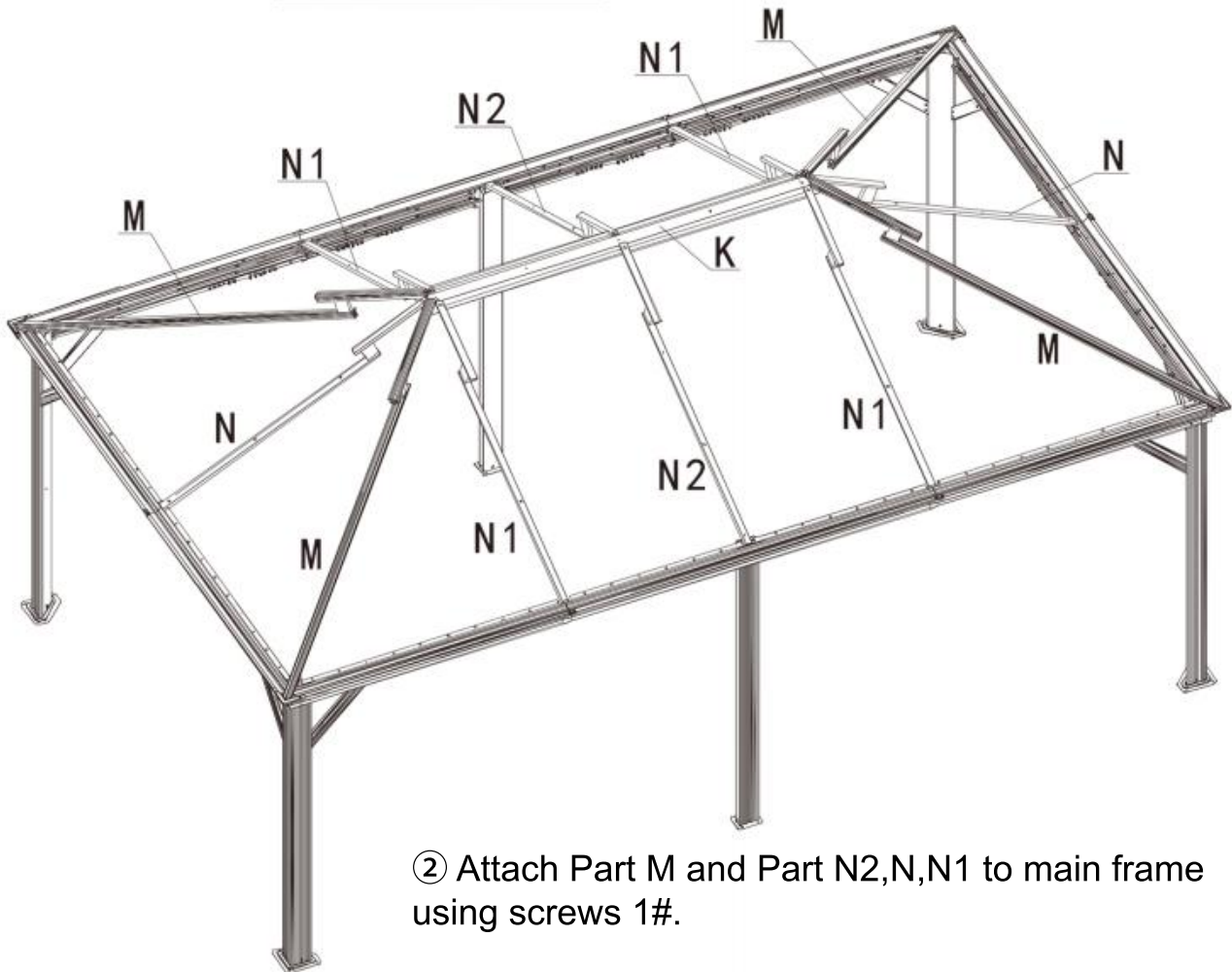
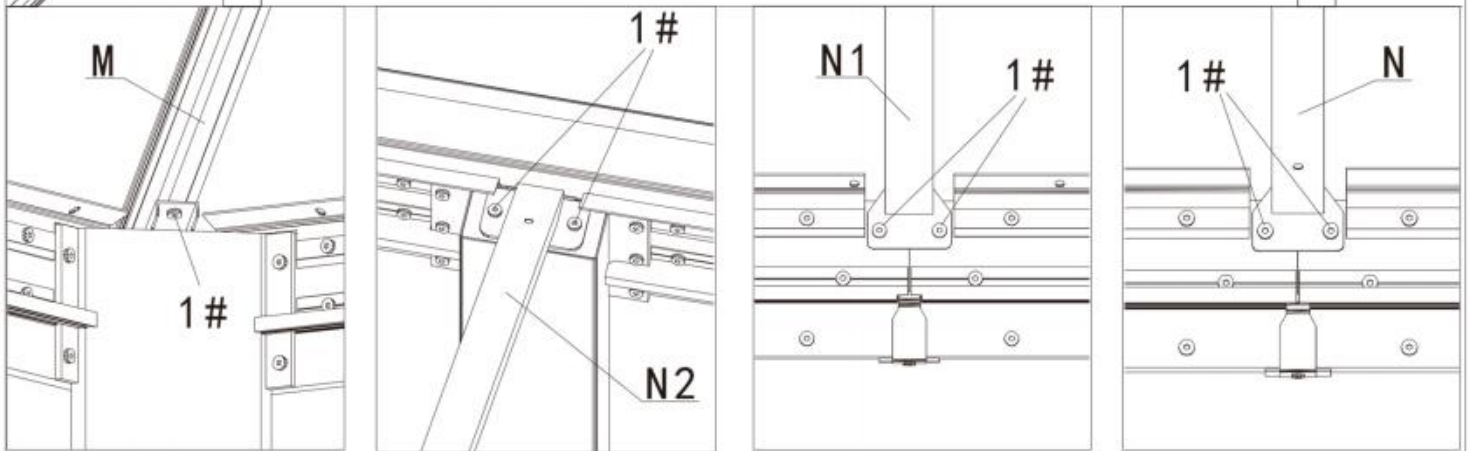
N2 (x2)

### Step 8: Set up roof frame

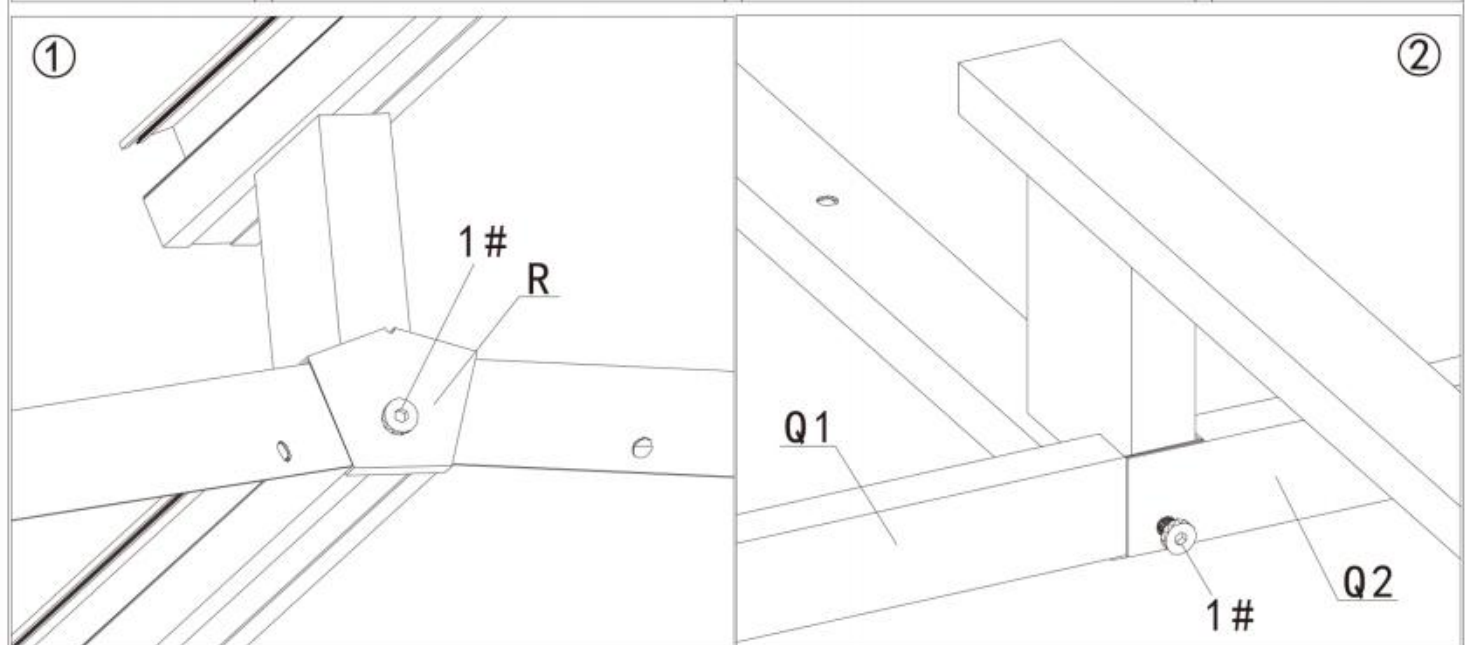
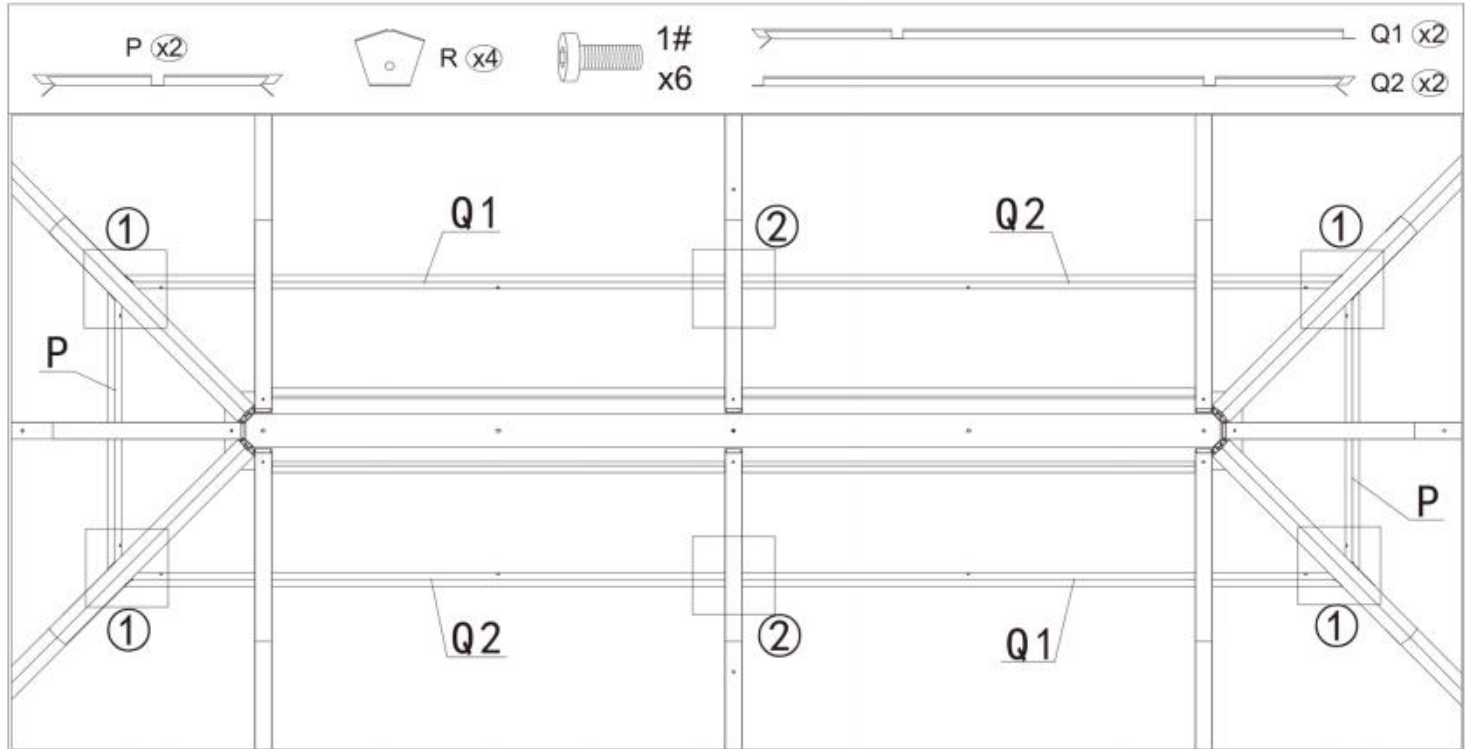
K



① Connect Part K with Part M and Part N,N1,N2 using screws 1#.

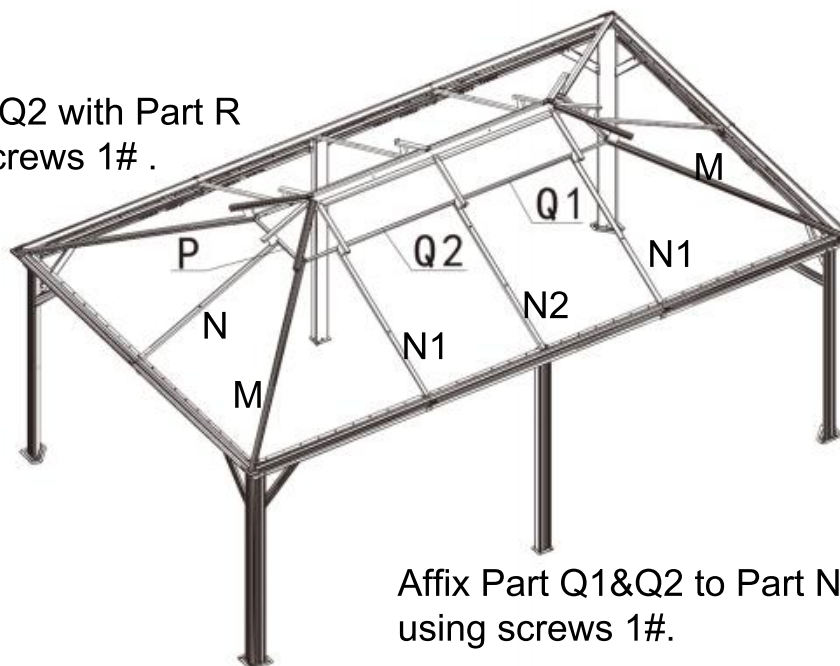


② Attach Part M and Part N2,N,N1 to main frame using screws 1#.



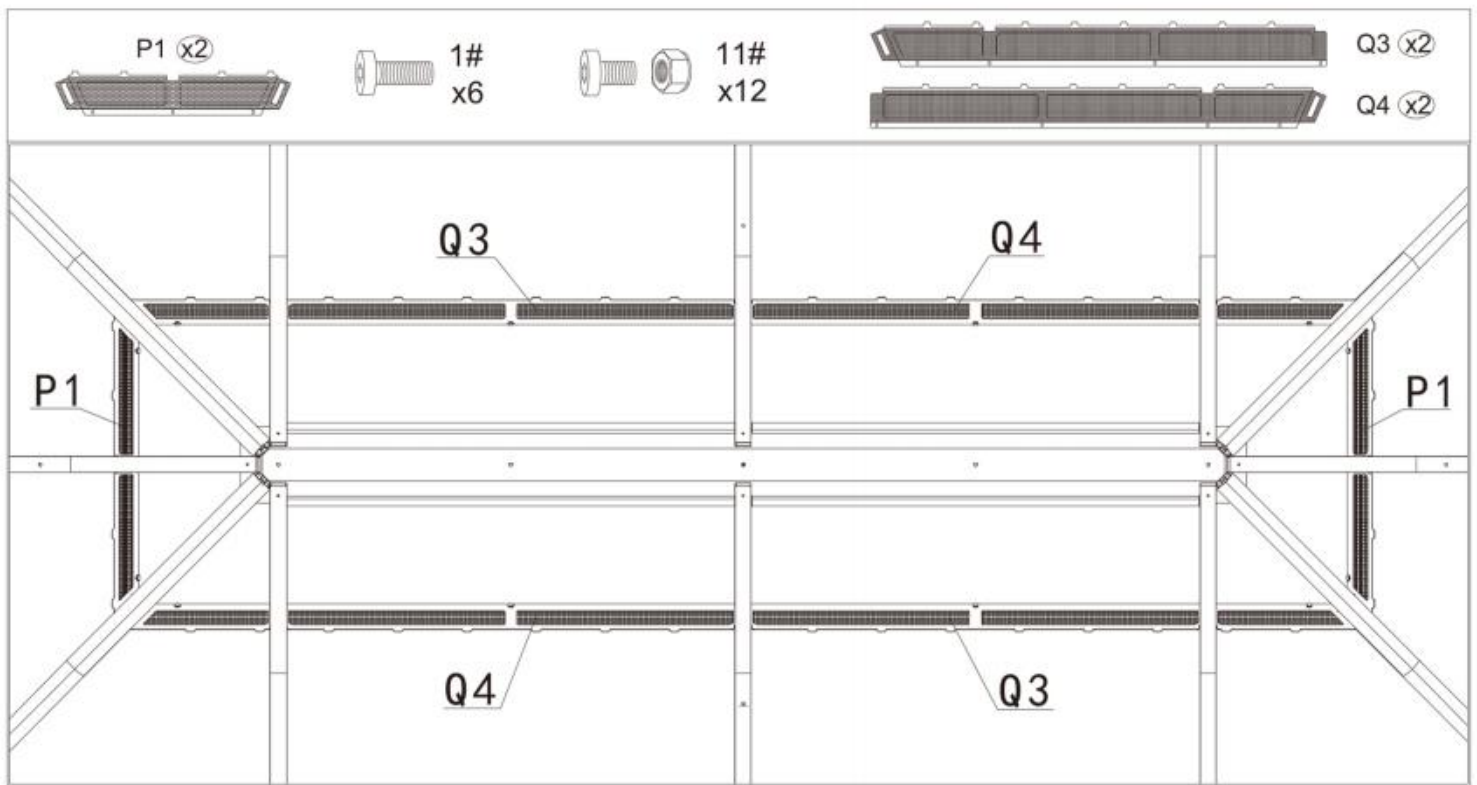
### Step 9:

Attach Part P, Q1, Q2 with Part R to Part M using screws 1# .

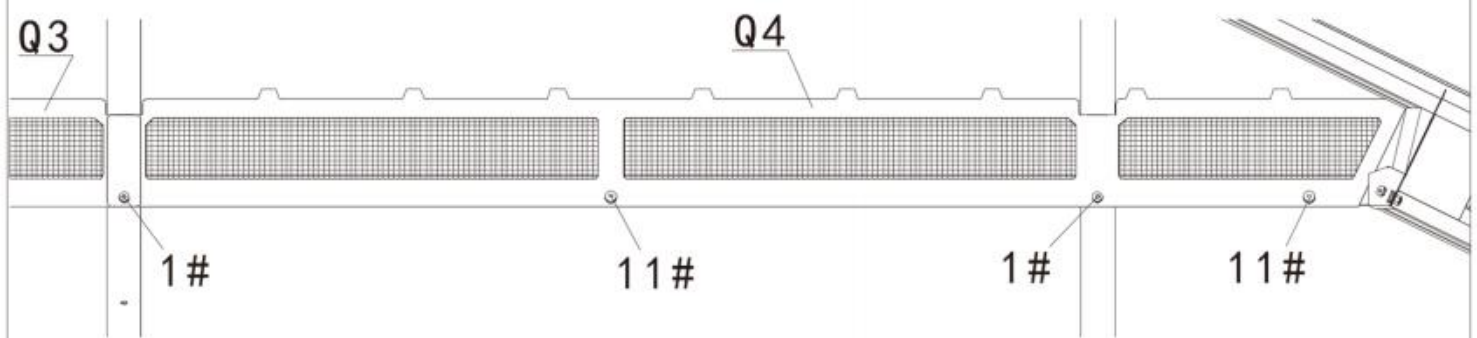
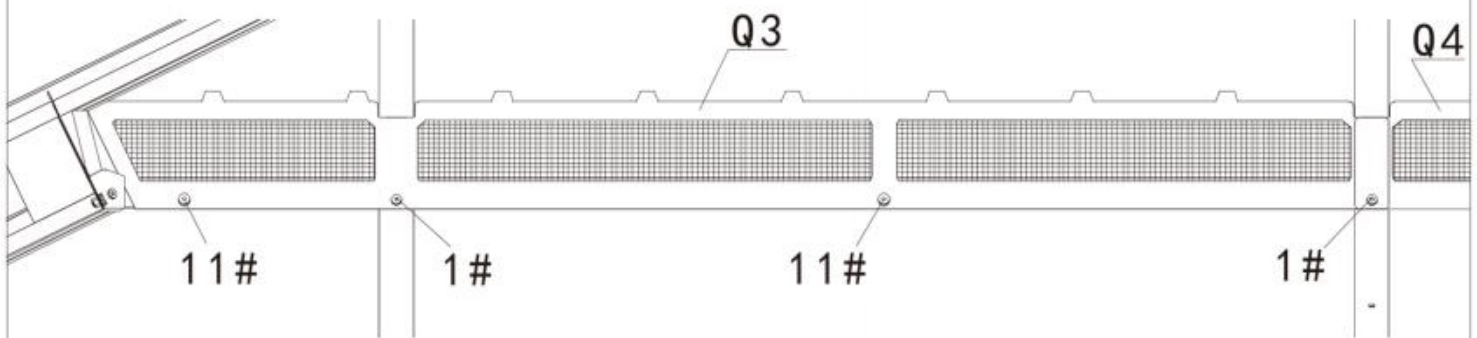
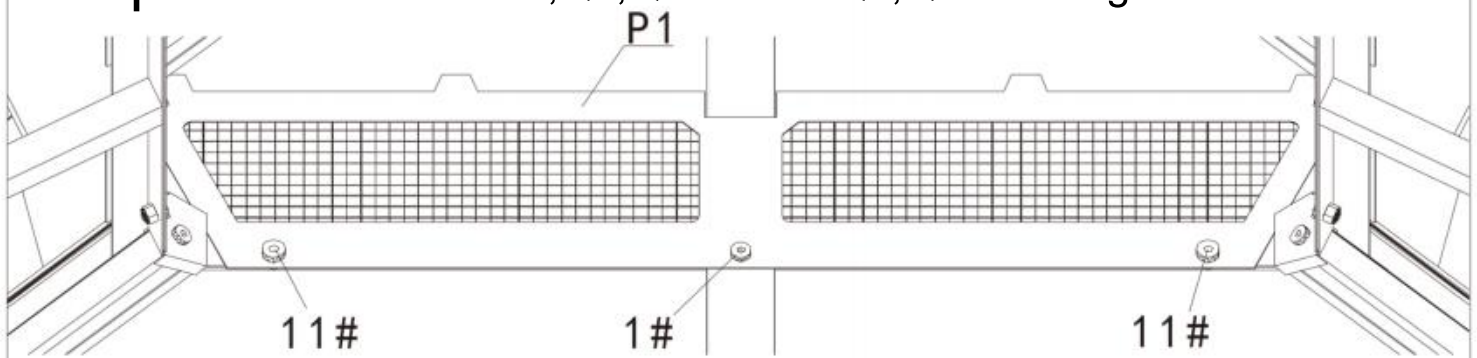


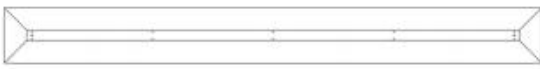
Affix Part Q1&Q2 to Part N, N1, N2 using screws 1#.





**Step 10:** Attach Part P1, Q3, Q4 to Part Q1, Q2 & P using screws 11# & 1#.





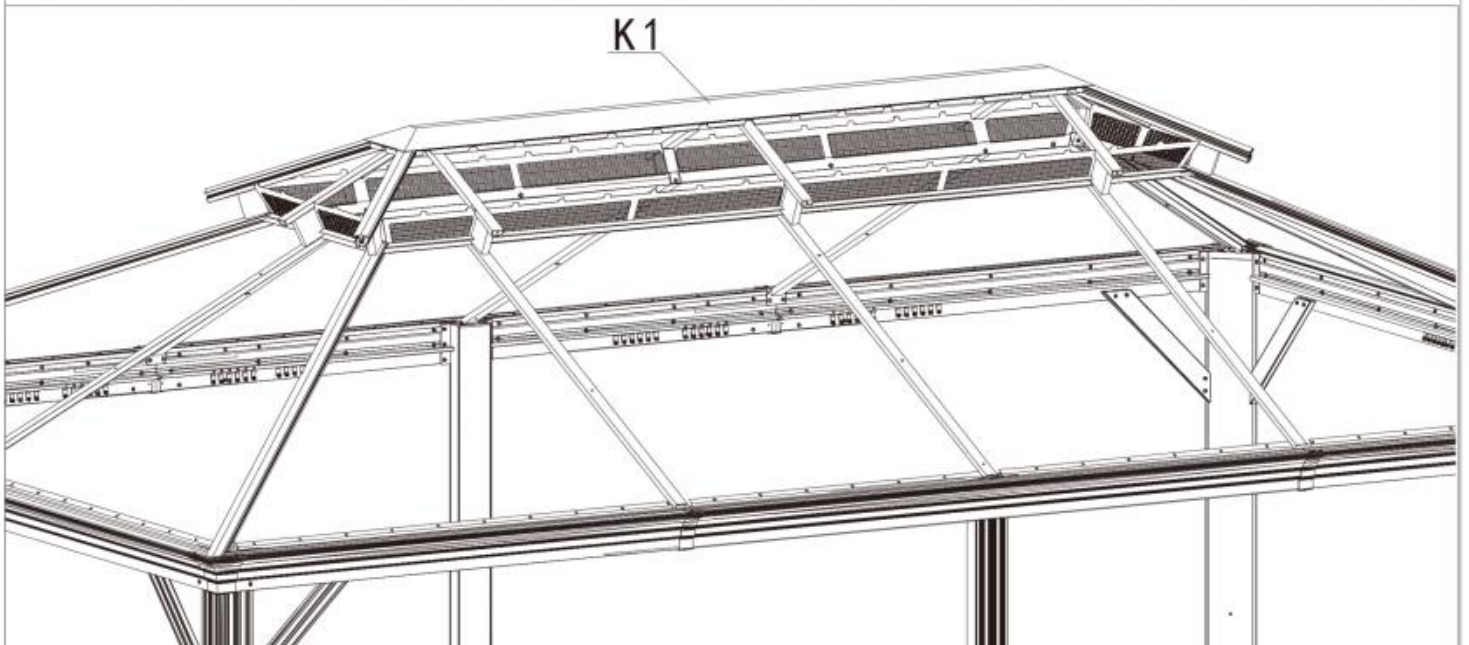
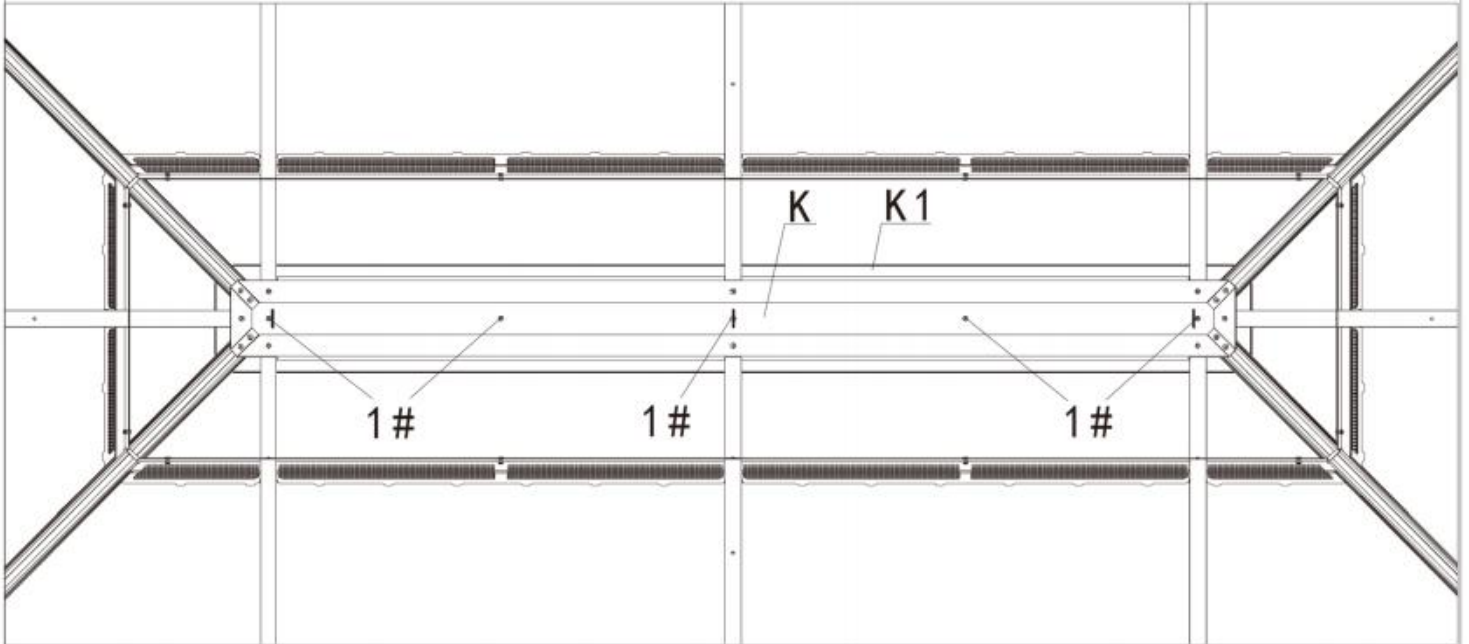
K1 x1



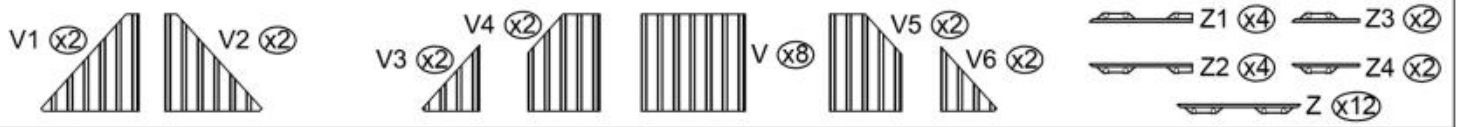
1#  
x5

## Step 11:

Connect Part K1 to Part K using screws 1#.

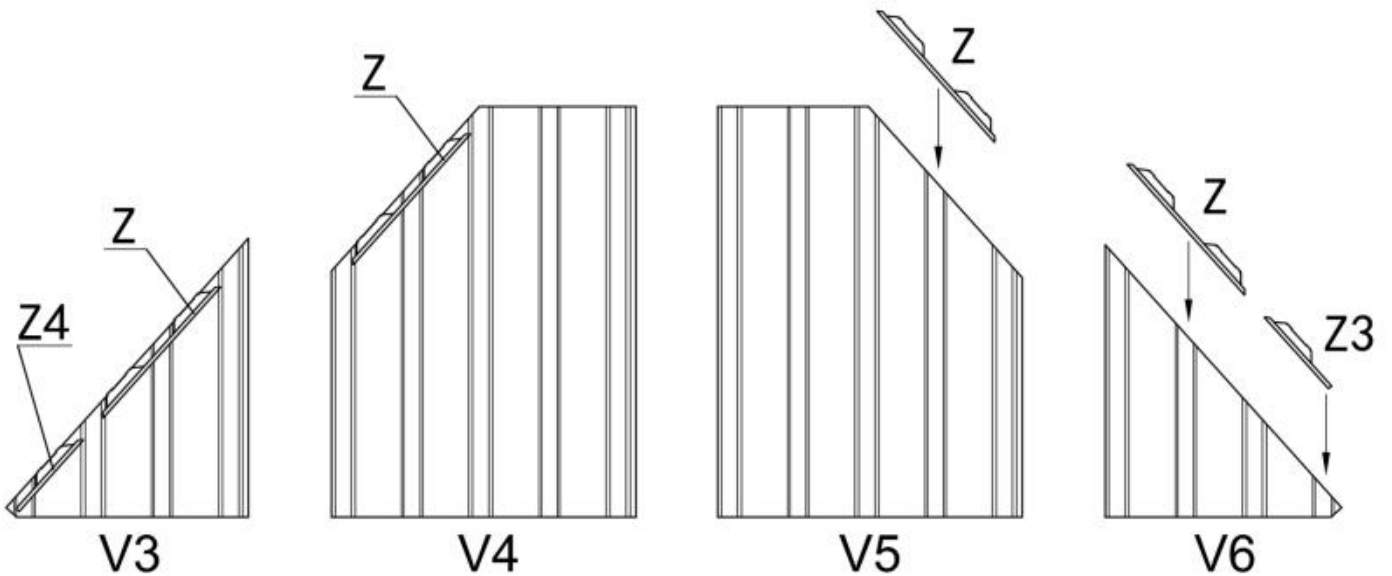
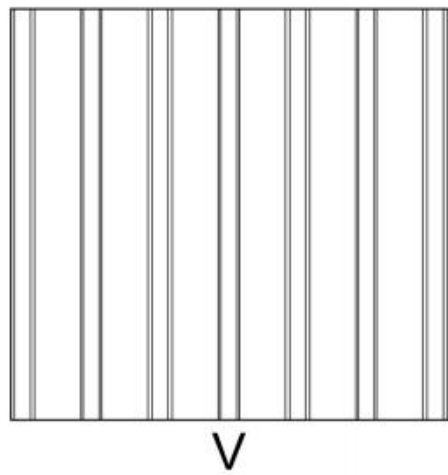
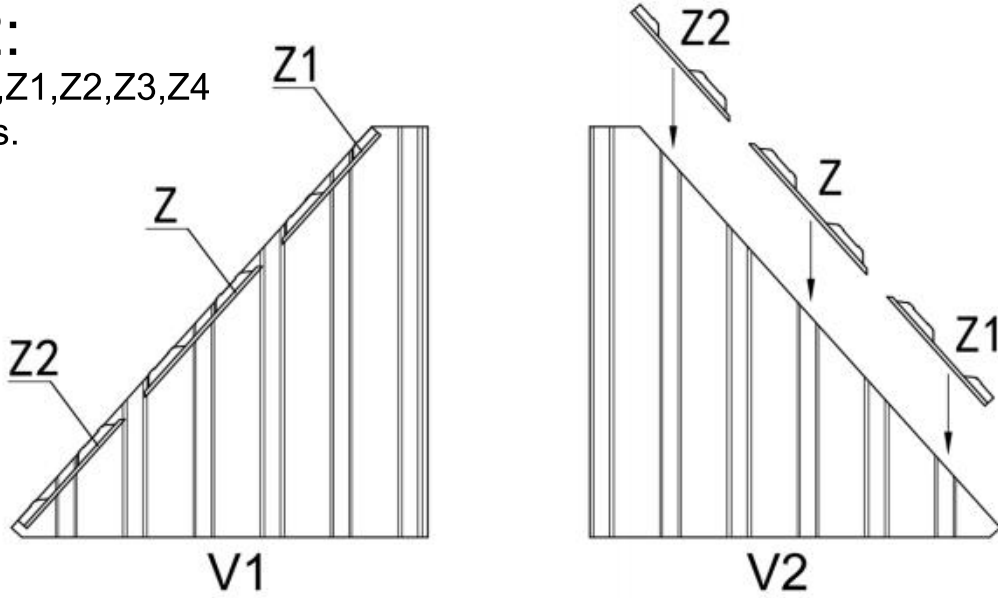


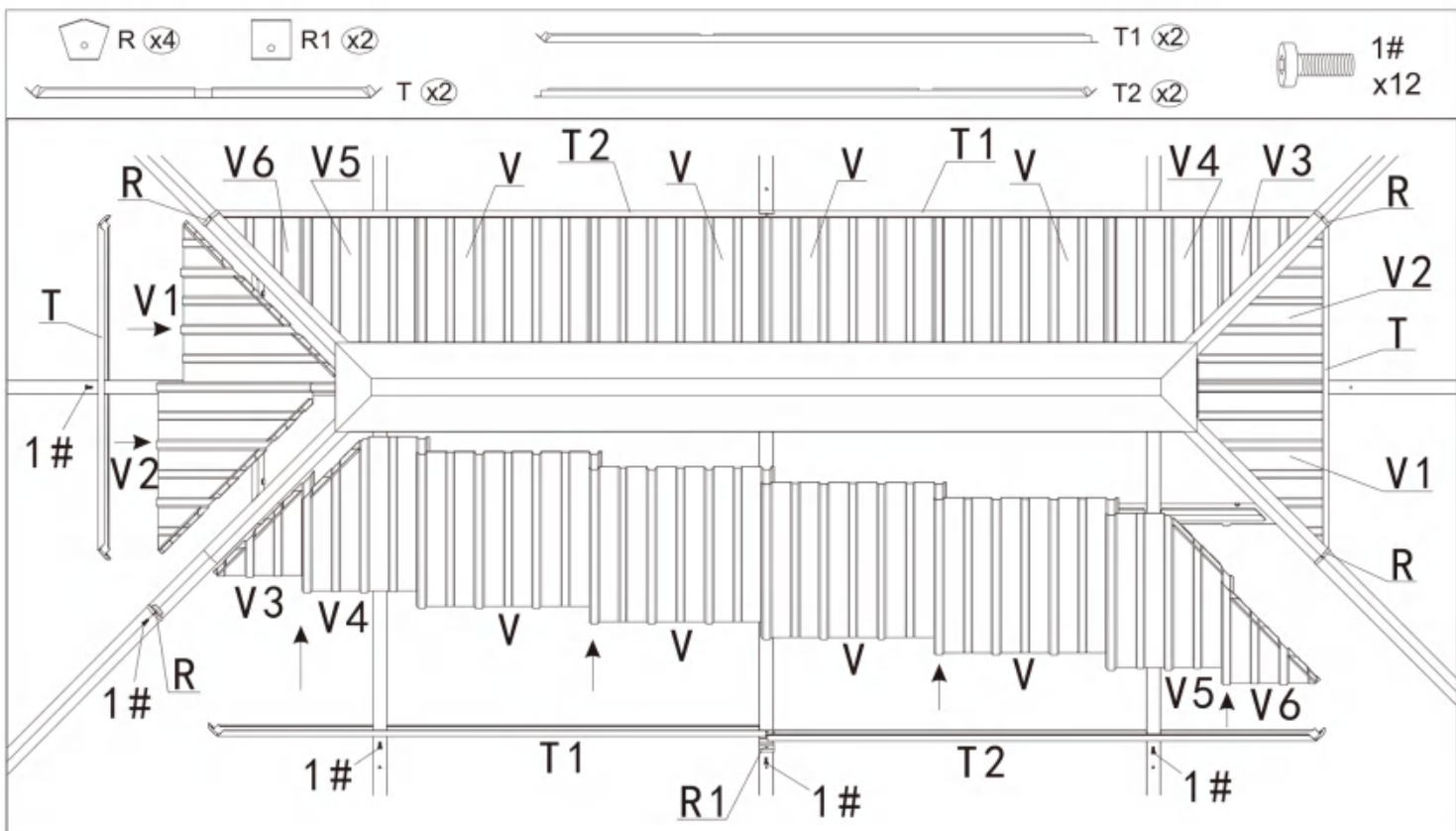




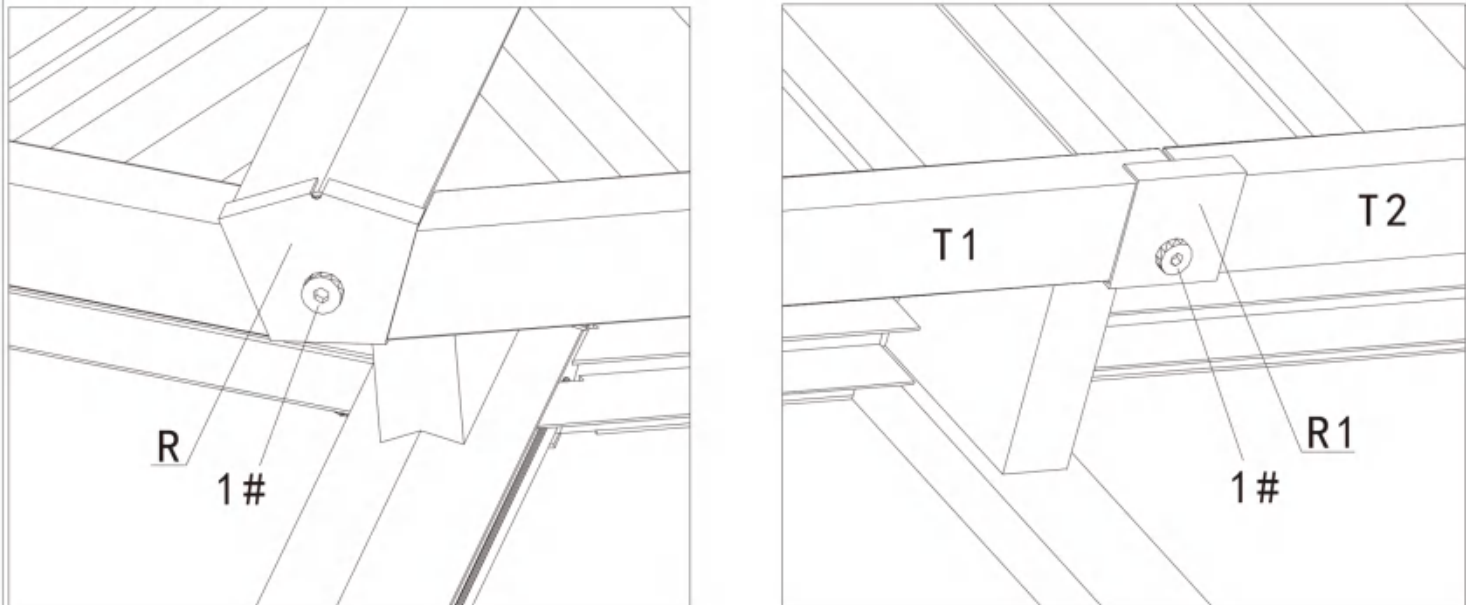
# Step 12:

Cover Part Z,Z1,Z2,Z3,Z4 to roof panels.

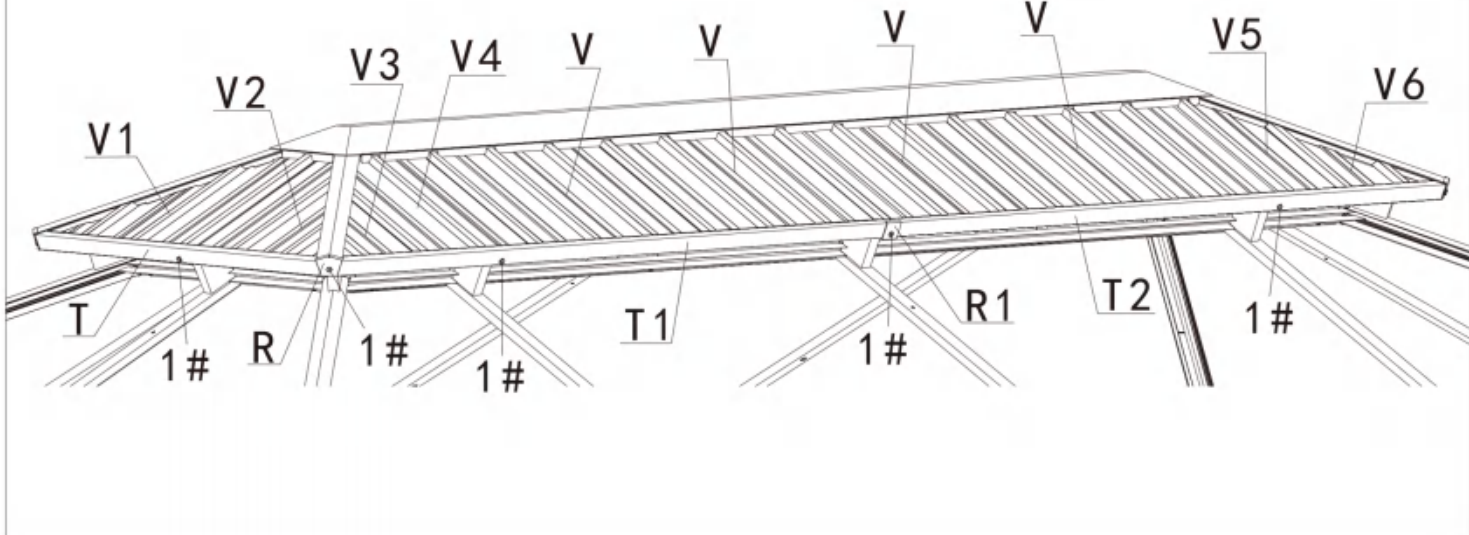


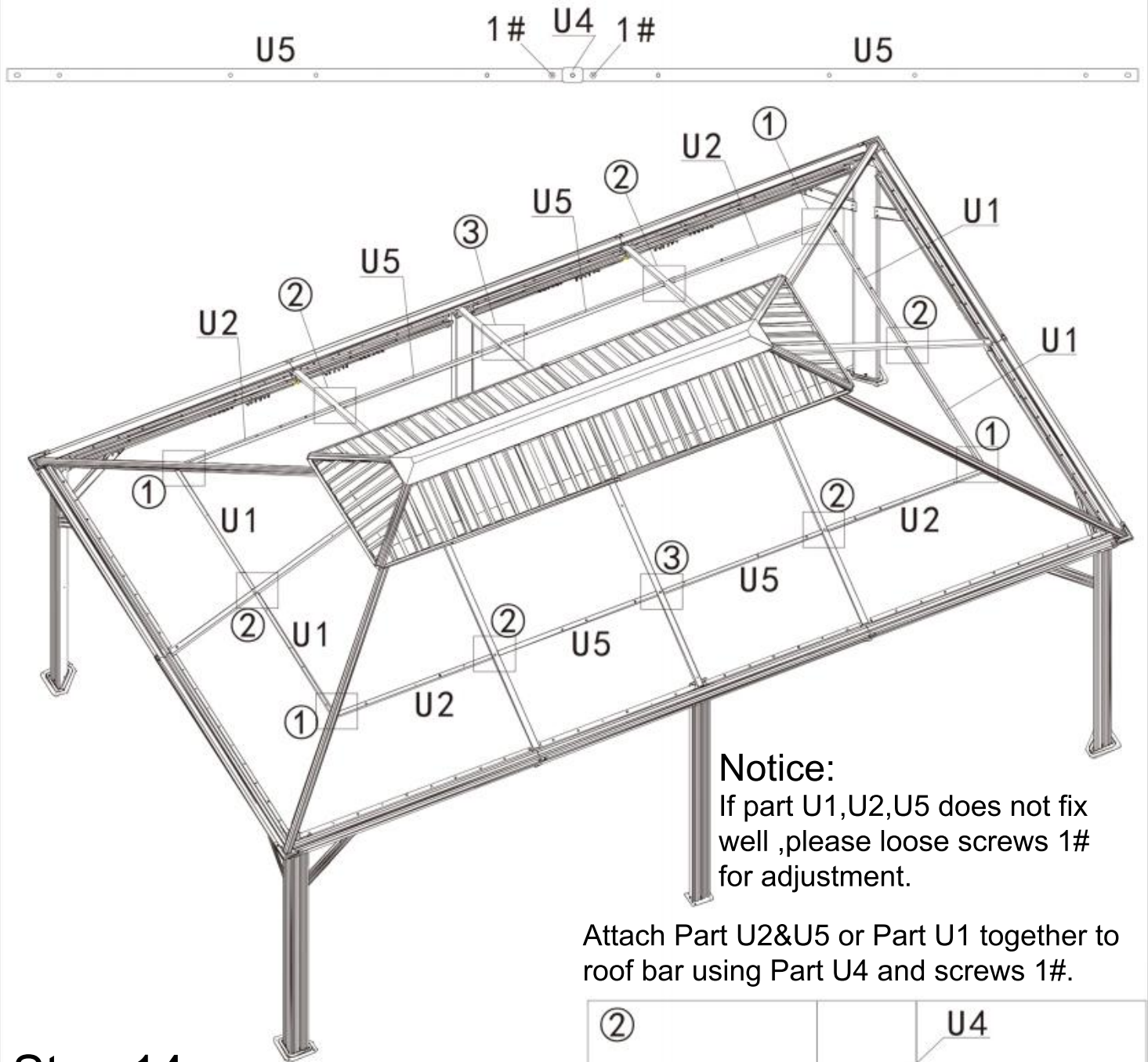
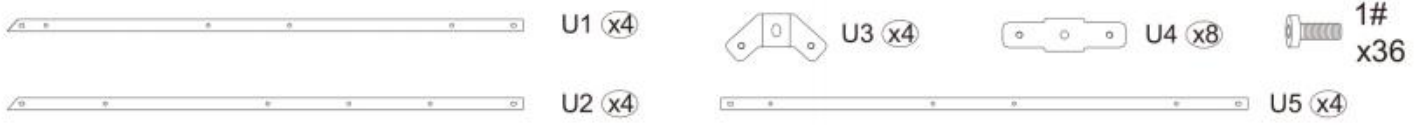


**Step 13: Push Part (V,V1,V2,V3,V4) to upper roof.**



**Attach Part (T,T1,T2) to upper roof with Part R&R1 using screws 1#.**



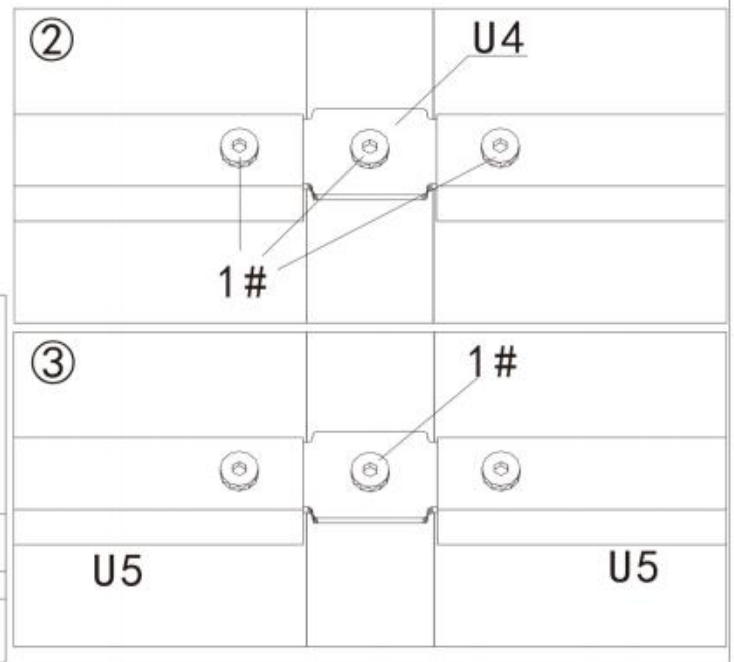
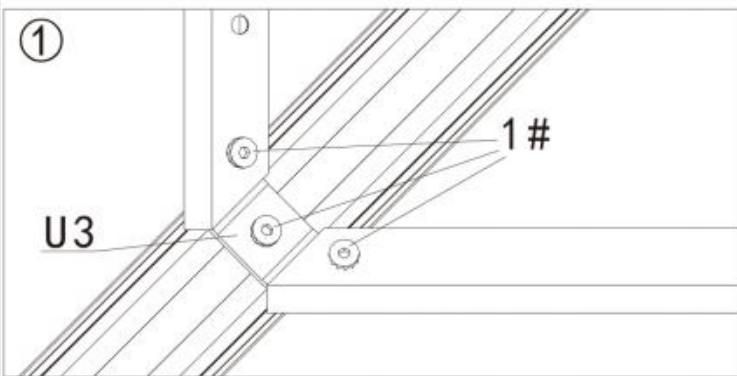


**Notice:**  
If part U1,U2,U5 does not fix well ,please loose screws 1# for adjustment.

Attach Part U2&U5 or Part U1 together to roof bar using Part U4 and screws 1#.

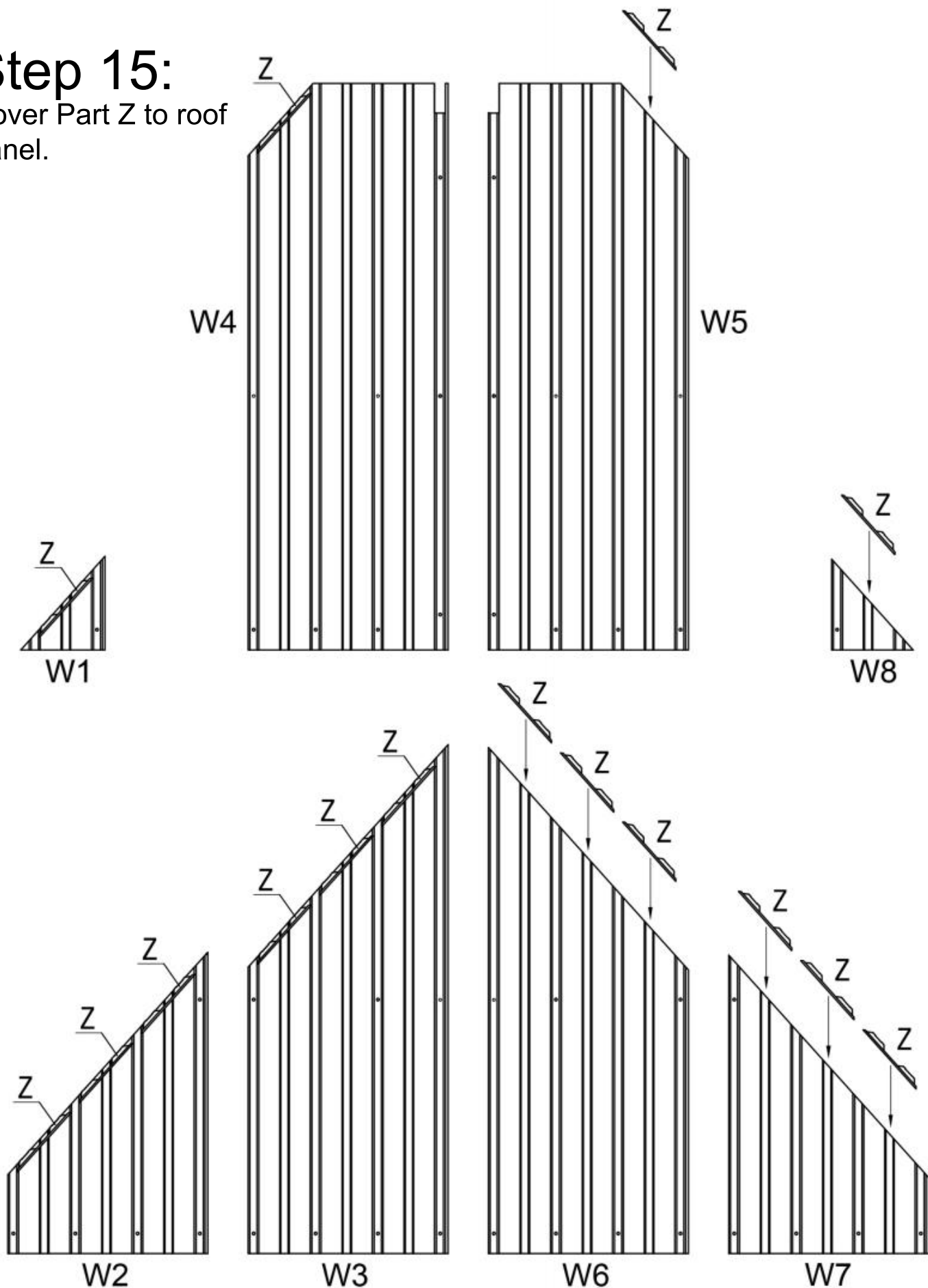
### Step 14:

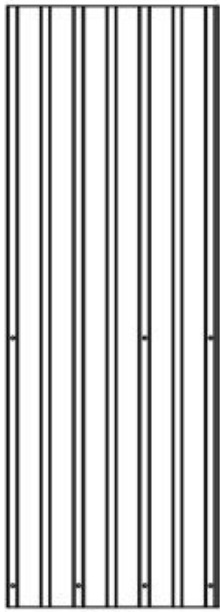
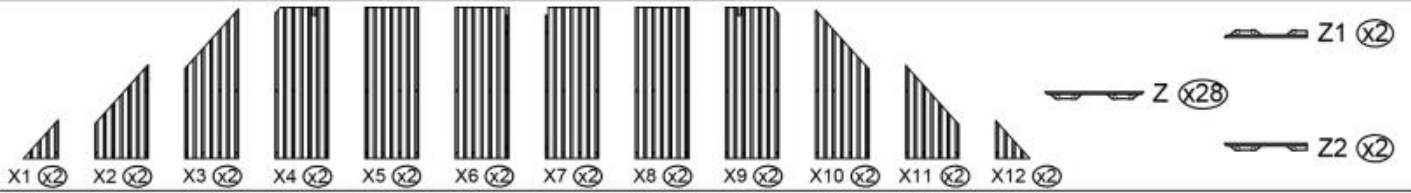
Affix Part U1,U2&U5 to corner bar using Part U3 and screws 1#.



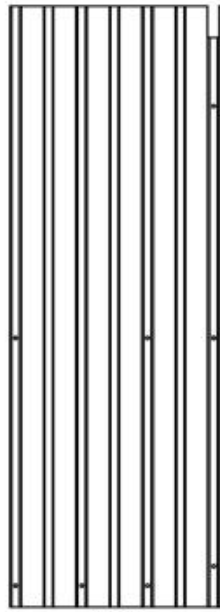


**Step 15:**  
Cover Part Z to roof panel.

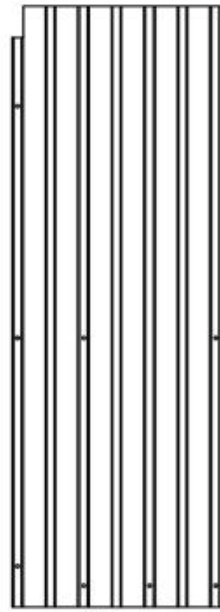




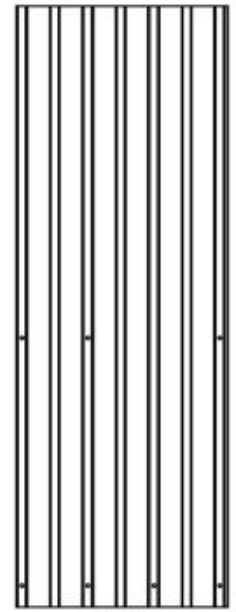
X5



X6

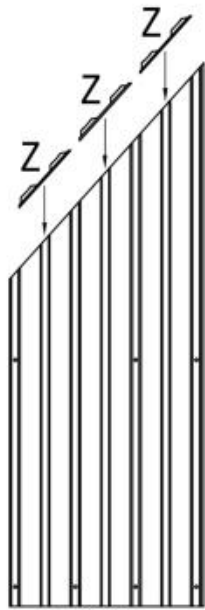


X7

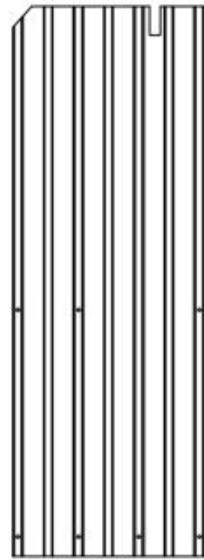


X8

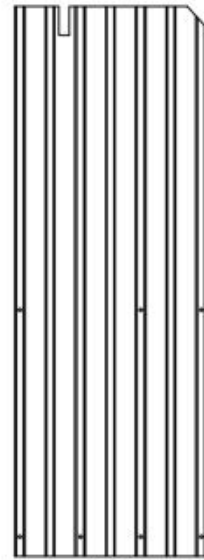
Step 16: Cover Part Z, Z2, Z1 to roof panels.



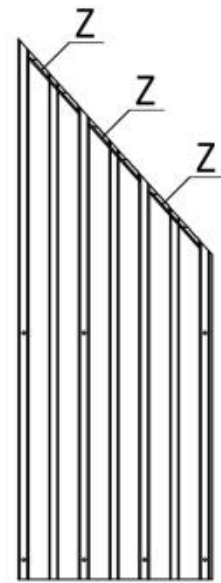
X3



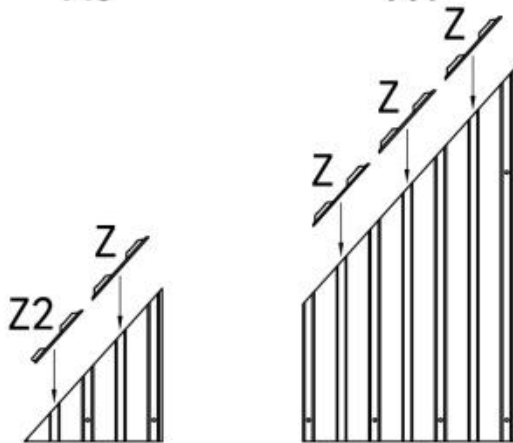
X4



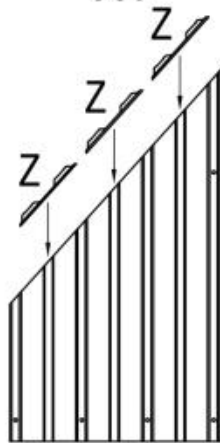
X9



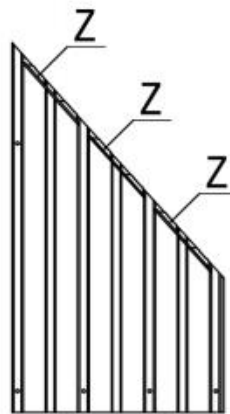
X10



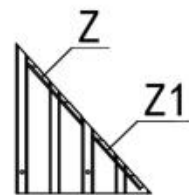
X1



X2



X11

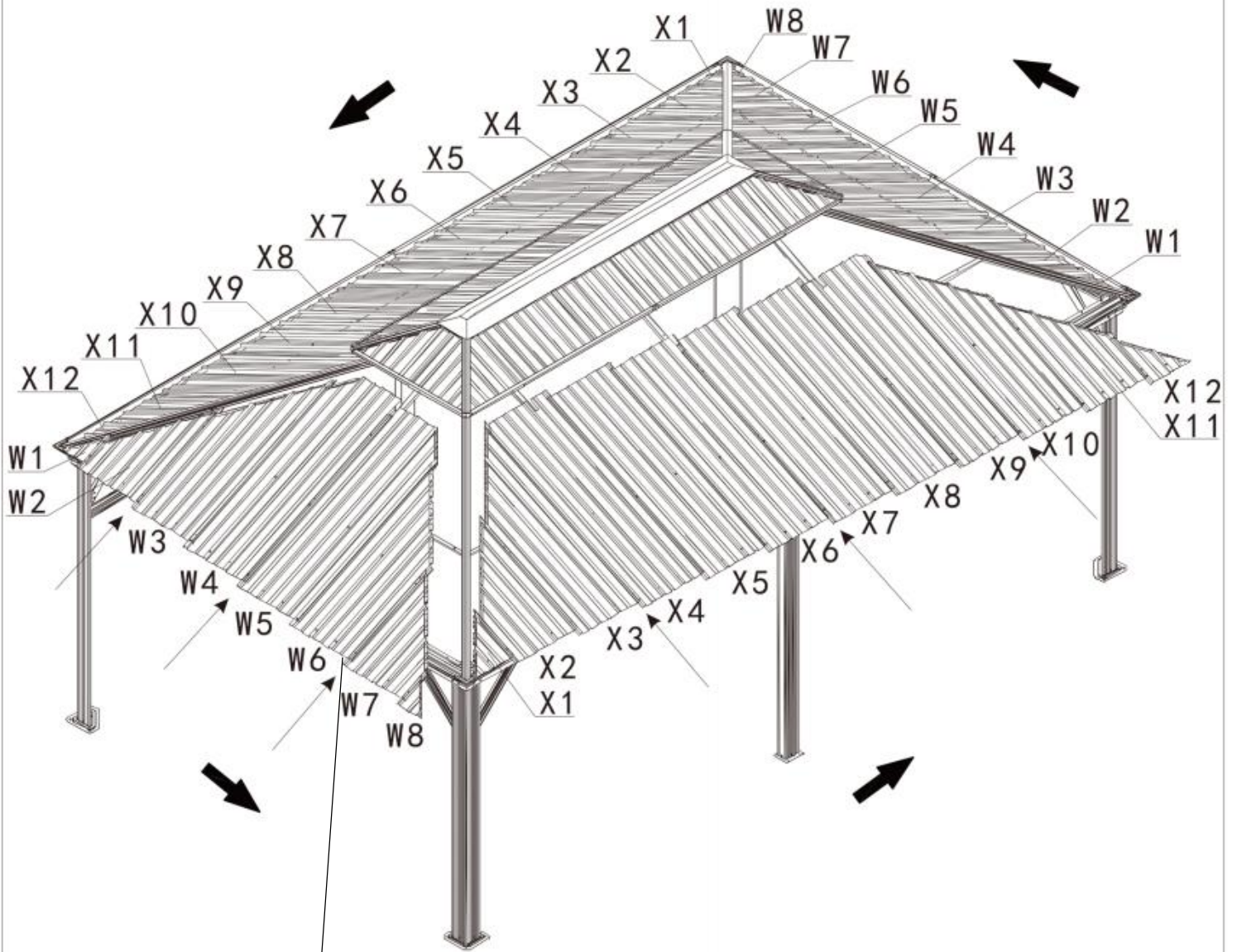


X12

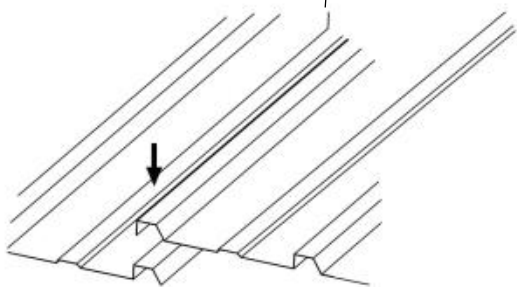


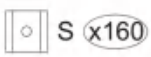
# Overall roof assembly:

Please put the panels on the frame anti-clockwisely.



Connect roof as below:





①

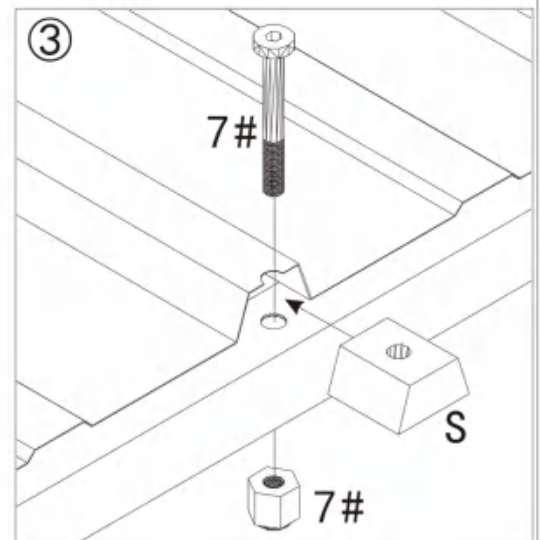
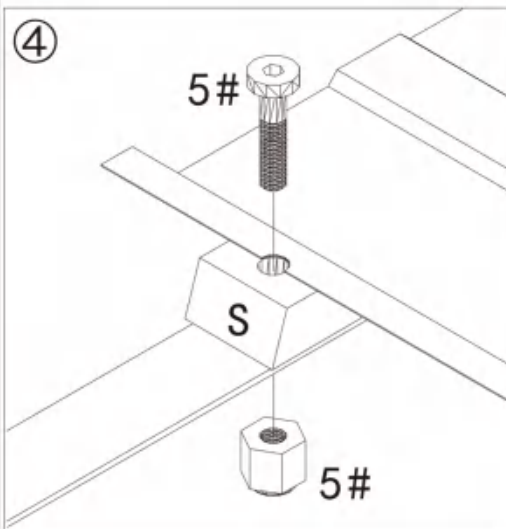
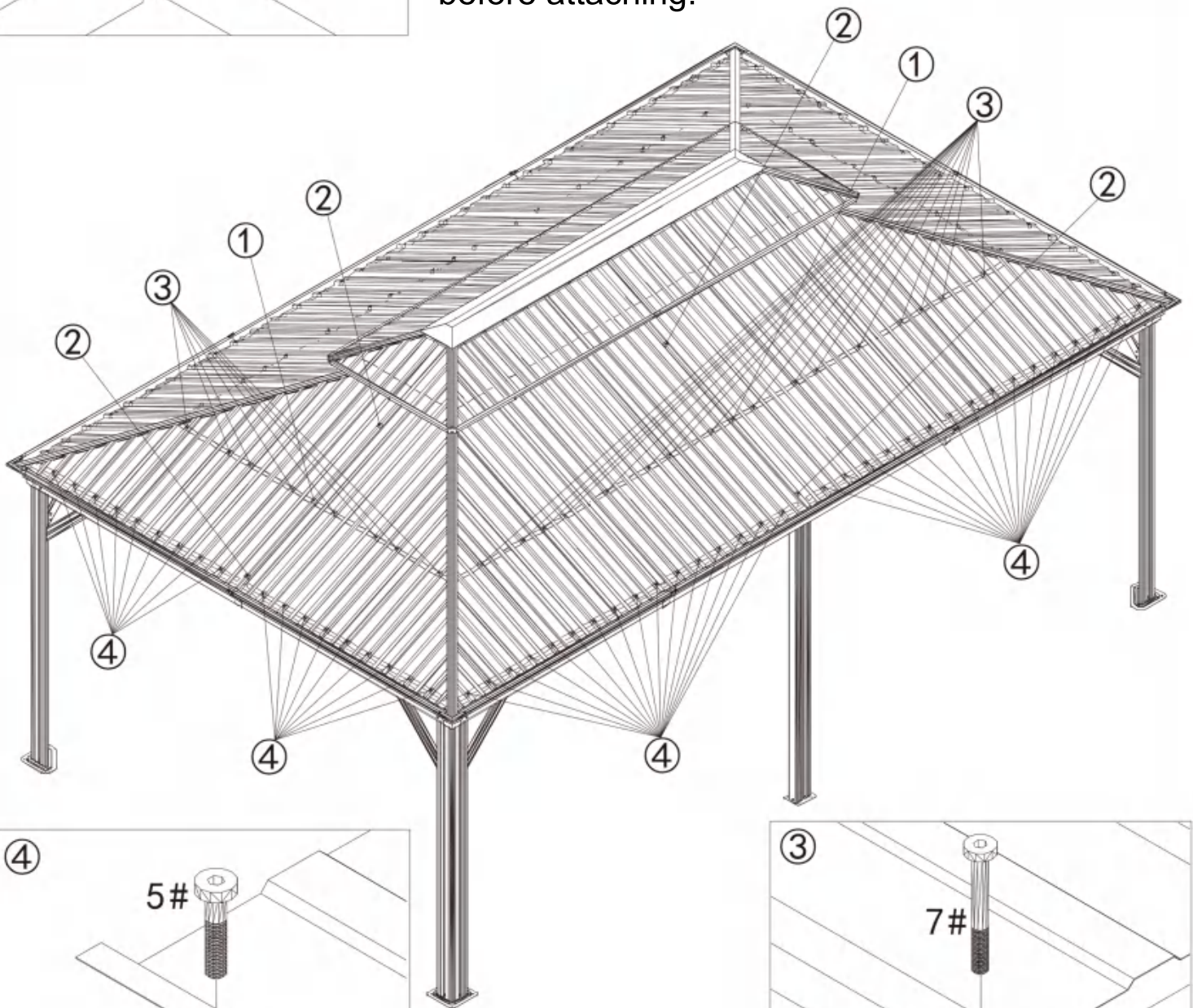
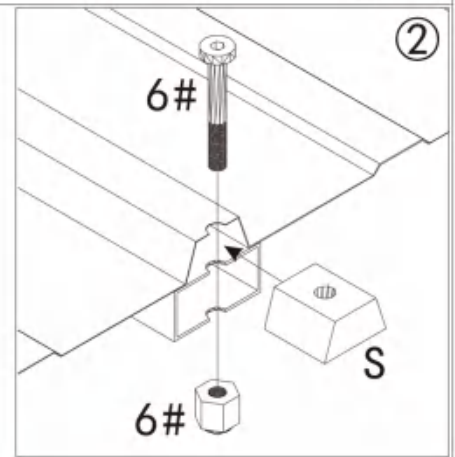
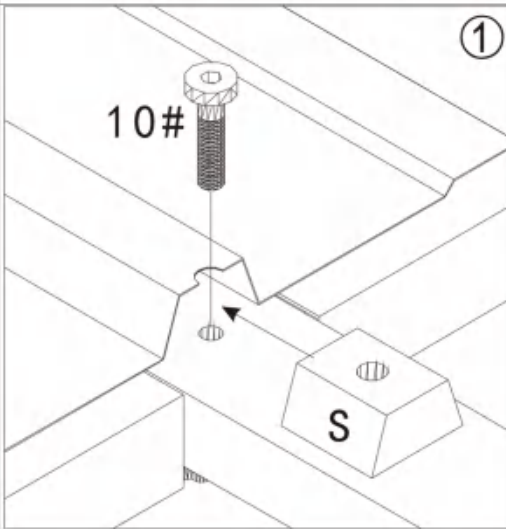
# Step 17:

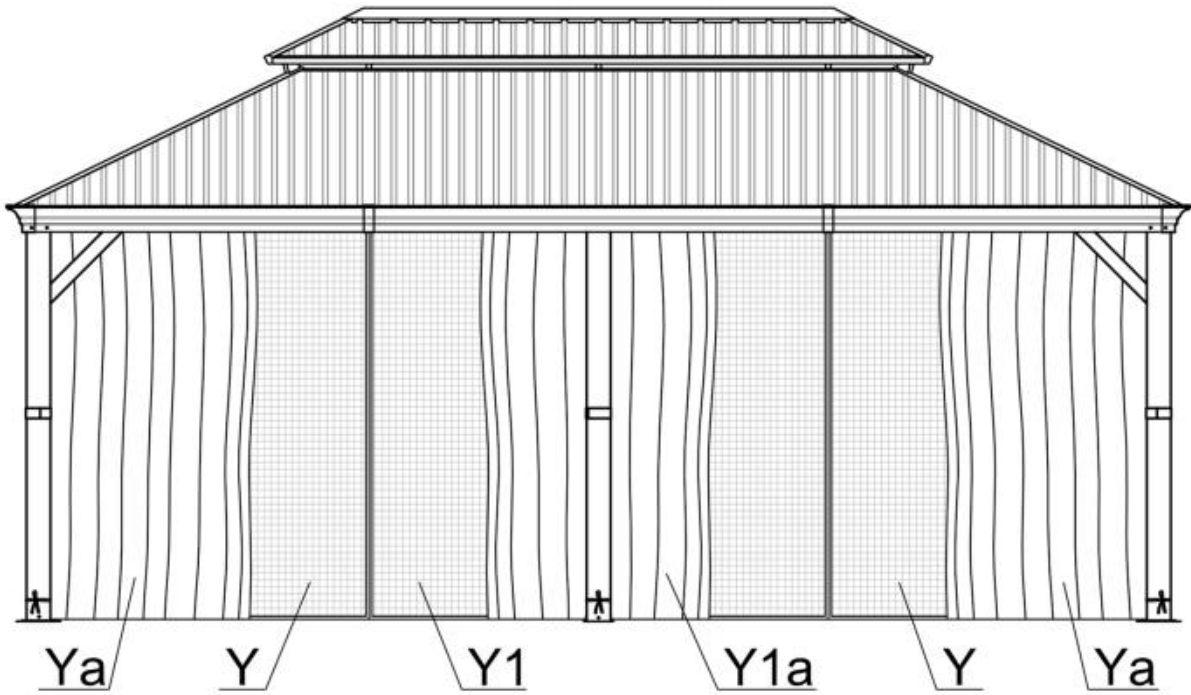
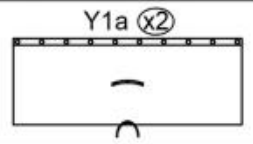
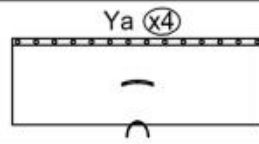
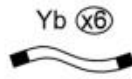
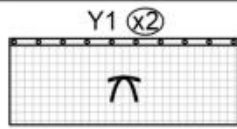
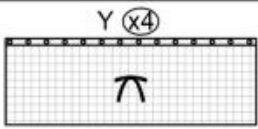
Connect roof panel using Part S and screws as shown in diagram.

Notice:

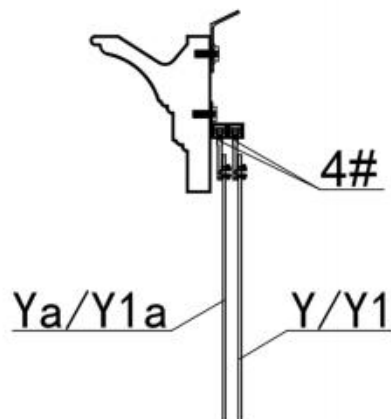
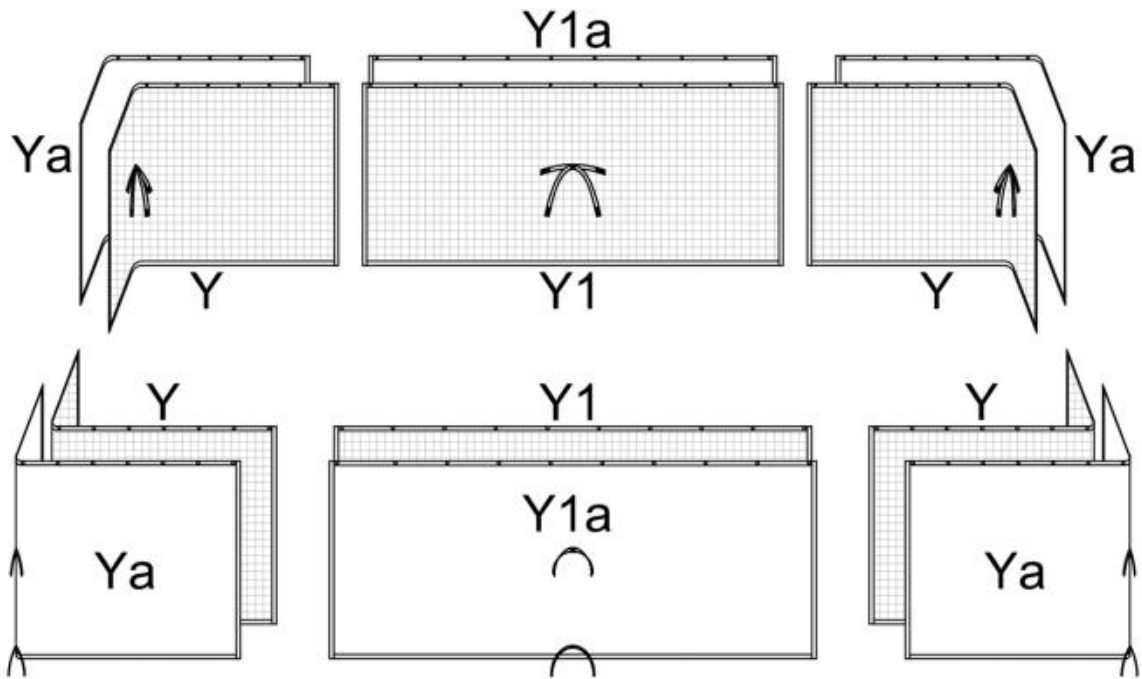
Put on one roof panel and fasten it accordingly before attaching.

②

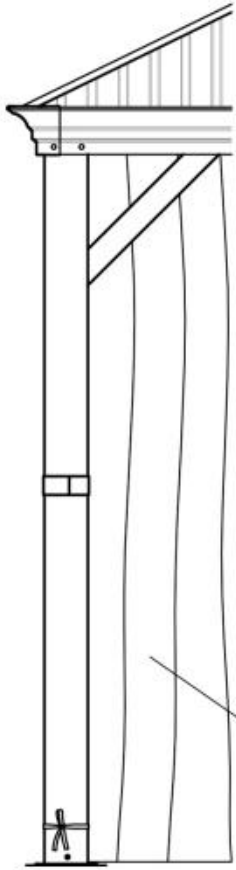




Put on mosquito sidewalls and solid sidewalls.



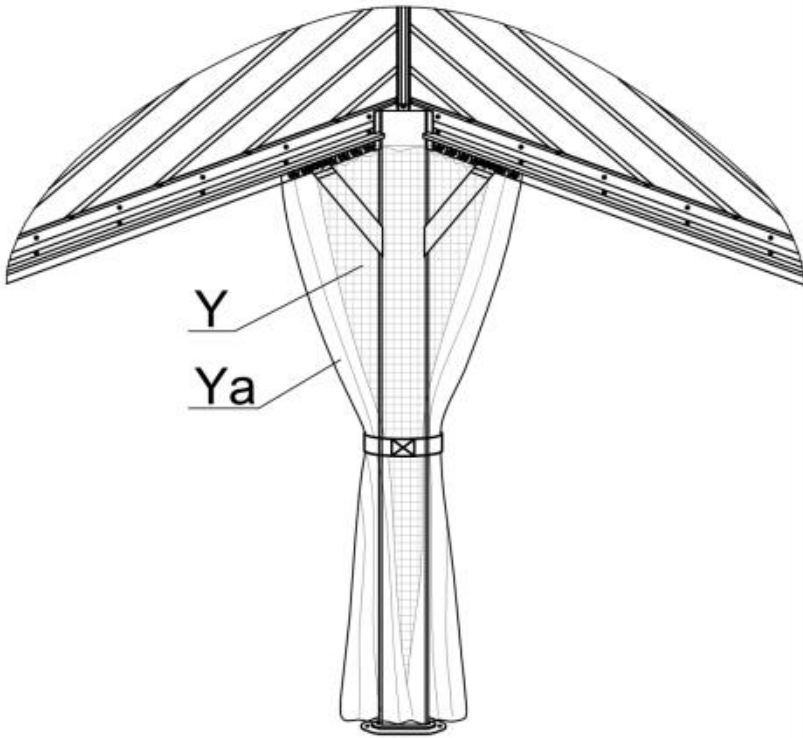
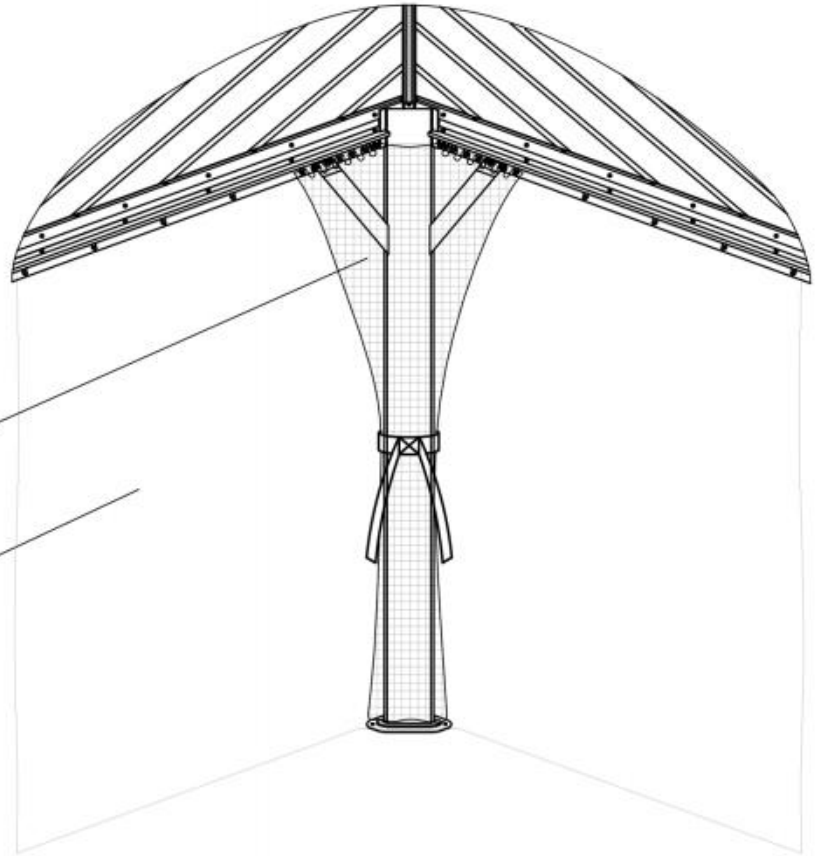




Y

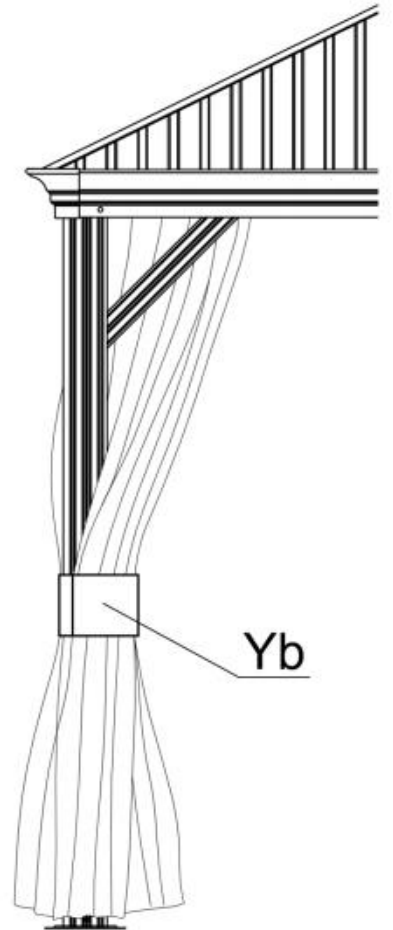
Ya

Ya



Y

Ya



Yb