

EPMU-05(-S)  
EPMU-06(-S)  
EPMU-07(-S)  
EPMU-08(-S)

## Wind Rated Pedestal Tilt Mount for 32" to 65" Outdoor Flat Panel Displays

Outdoor TVs are taking entertainment to new places, and the Peerless-AV Wind Rated Outdoor Pedestal Mount provides a sure way to make outdoor flat panels secure in all conditions. It's made of heavy gage steel with a corrosion resistant E-Coat and stainless steel hardware so it can handle the elements.



### FEATURES

- Wind rated up to 110 mph, elevation 200ft (60m), Category "D" when fixed tilt mechanism in engaged
- Designed specifically for outdoor use and constructed from weatherproof materials
- Tilt settings of 0°, 2°, 5°, 10° or 15°, for the perfect viewing angle
- Swivel feature allows for the display to face the necessary direction without adjusting the pedestal
- 8ft column meets ADA requirements



Display size: 32"-65"



Max load: 200lb (91kg)



#### SIMPLE SET-UP

Hook-and-hang design helps make installation quick and easy

#### VIEWING ANGLE FLEXIBILITY

Incremental tilt settings enable the best viewing angle

#### POLE LENGTH OPTIONS

Four pole length options available for varied height requirements



Adjustable tilt can easily be set up to 15° forward and 5° back



## Model Numbers

|                     |  |
|---------------------|--|
| <b>EPMU-05(-S):</b> | 5' Wind Rated Pedestal Tilt Mount for 32" to 65" Outdoor Flat Panel Displays |
| <b>EPMU-06(-S):</b> | 6' Wind Rated Pedestal Tilt Mount for 32" to 65" Outdoor Flat Panel Displays |
| <b>EPMU-07(-S):</b> | 7' Wind Rated Pedestal Tilt Mount for 32" to 65" Outdoor Flat Panel Displays |
| <b>EPMU-08(-S):</b> | 8' Wind Rated Pedestal Tilt Mount for 32" to 65" Outdoor Flat Panel Displays |

## Product Specifications

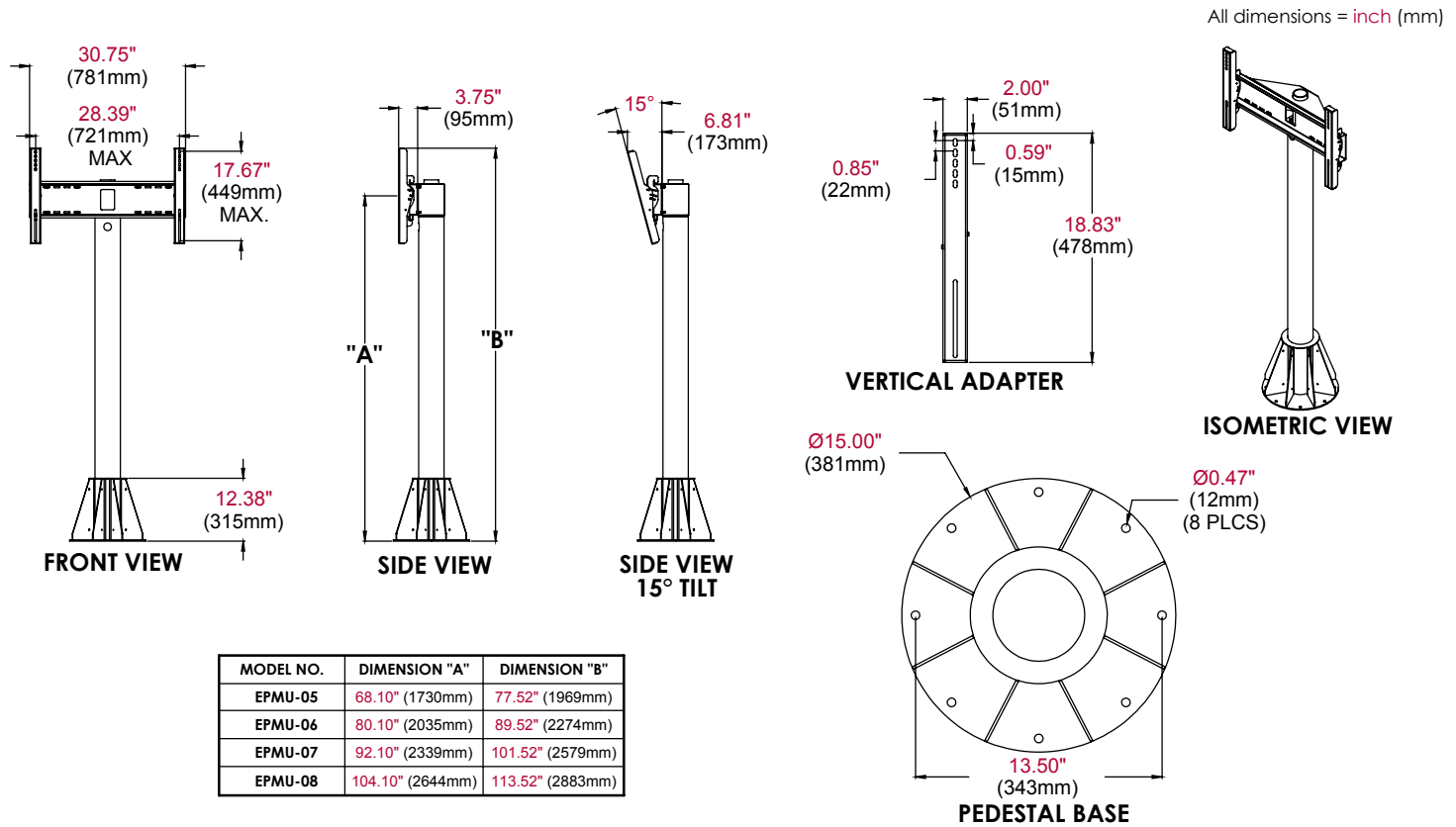
|                    | DIMENSIONS (W x H x D) |                      | PRODUCT WEIGHT | LOAD CAPACITY | FINISH      | AVAILABLE COLORS                                |
|--------------------|------------------------|----------------------|----------------|---------------|-------------|---|
| <b>EPMU-05(-S)</b> | 77.51" x 30.75" x 15"  | (1969 x 781 x 381mm) | 118lb (53.6kg) | 200lb (91kg)  | Powder coat | EPMU models: Black<br>EPMU-S models: Stone Gray |
| <b>EPMU-06(-S)</b> | 89.51" x 30.75" x 15"  | (2274 x 781 x 381mm) | 128lb (58kg)   |               |             |   |
| <b>EPMU-07(-S)</b> | 101.51" x 30.75" x 15" | (2578 x 781 x 381mm) | 138lb (62.7kg) |               |             |   |
| <b>EPMU-08(-S)</b> | 113.51" x 30.75" x 15" | (2883 x 781 x 381mm) | 148lb (67kg)   |               |             |   |

## Package Specifications

|                  | PACKAGE SIZE (W x H x D)             | PACKAGE SHIP WEIGHT | PACKAGE UPC CODE | PACKAGE CONTENTS  | UNITS IN PACKAGE |
|------------------|--------------------------------------|---------------------|------------------|---|------------------|
| <b>EPMU-05</b>   | 65" x 18" x 16" (1651 x 457 x 406mm) | 120lb (54kg)        | 735029272397     | Mount, hardware, concrete fasteners, security fasteners | 1                |
| <b>EPMU-05-S</b> | 65" x 18" x 16" (1651 x 457 x 406mm) | 120lb (54kg)        | 735029272434     |   |                  |
| <b>EPMU-06</b>   | 65" x 18" x 16" (1651 x 457 x 406mm) | 130lb (58kg)        | 735029272403     |   |                  |
| <b>EPMU-06-S</b> | 65" x 18" x 16" (1651 x 457 x 406mm) | 130lb (58kg)        | 735029272441     |   |                  |
| <b>EPMU-07</b>   | 77" x 18" x 16" (1955 x 457 x 406mm) | 140lb (63kg)        | 735029272410     |   |                  |
| <b>EPMU-07-S</b> | 77" x 18" x 16" (1955 x 457 x 406mm) | 140lb (63kg)        | 735029272458     |   |                  |
| <b>EPMU-08</b>   | 89" x 18" x 16" (2260 x 457 x 406mm) | 150lb (68kg)        | 735029272427     |   |                  |
| <b>EPMU-08-S</b> | 89" x 18" x 16" (2260 x 457 x 406mm) | 150lb (68kg)        | 735029272465     |   |                  |

**NOTE:**

Each product is shipped in 2 separate boxes.  
1 box is the same size containing the plate and vertical adapter brackets while the pedestal is shipped in a different sized box.  
Pedestal boxes are listed above. The wall plate w/vertical brackets box - 34.25" x 10.18" x 3.12" (870 x 258 x 79mm)  
Product ships via freight on a dedicated skid.



## ARCHITECTS SPECIFICATIONS

The Wind Rated Tilt Pedestal Mount for Outdoor Flat Panel Displays shall be a Peerless-AV model number EPMU% and located where indicated on the plans. Assembly and installation shall be done according to instructions provided by the manufacturer. Mount is made of heavy gauge cold rolled steel. Mount is finished with textured black or gloss ASA-70 gray protective paint.