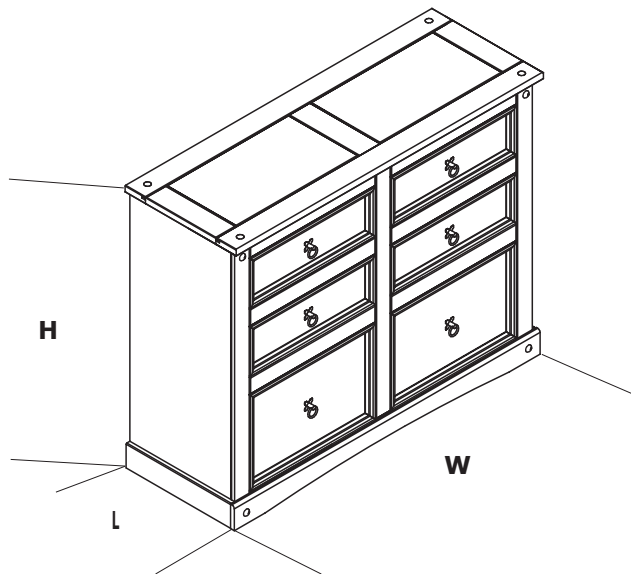


Assembly Instructions : Corona 6 Drawers Chest - January, 2015



Assembled Dimensions

L Length : 48cm

W Width : 130cm

H Head Height : 104cm

PLEASE NOTE : CHECK ALL PARTS BEFORE ASSEMBLING
ONCE ASSEMBLED THIS ITEM CANNOT BE RETURNED UNDER THE APPROVAL GUARANTEE
THIS PRODUCT IS BUILT VERTICALLY - PLEASE BUILD WHERE IT WILL BE USED.

Follow Me

- FIRST: Check that the assembled product size will fit in its required location. Take into account ceiling height clearance & door frame widths, if the unit is not being assembled close to its final location
- SECOND : Check that you have enough floor area to complete the assembly
- THIRD: Retain your packaging until you have checked that ALL the parts are in the packs.
- FOURTH :Sort out the parts and fittings as shown, assemble product step by step
- It is preferable to rest the product on a soft surface to avoid damage during assembly
- Do not over tighten screws and fittings.
- Re-Tighten all screws and fitting periodically.

Guide Me

Multi-Pack Table
 COMPONENT Pack NO

BOX: 1 / 1

- FITKIT

- AI
- LEFT SIDE PANEL = 1x
- RIGHT SIDE PANEL = 1x
- BOTTOM = 1x
- DRAWER RUNNER = 6x
- BASEBOARD = 2x
- FRONT BASEBOARD = 1x
- TOP PANEL = 1x
- BACK PANEL = 2x

- BACK STRUT = 1x
- HIGH DRAWER FRONT = 2x
- HIGH DRAWER SIDE = 4x
- HIGH DRAWER BOTTOM = 6x
- HIGH DRAWER BACK = 2x
- DRAWER BACK = 4x
- DRAWER FRONT = 4x
- DRAWER SIDE = 8x
- CENTRE RUNNER = 3x
- LEFT LIZENE = 1x
- RIGHT LIZENE = 1x

- UPPER CROSSBEAM = 2x
- MIDDLE CROSSBEAM = 4x
- CROSSBEAM VERTICAL = 1x

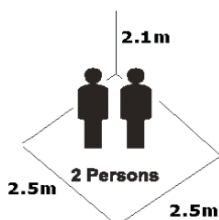
Replacement packs cannot be provided without Component pack number and the part number / description

Approx Assembly
 Time



Show Me

No of People
 to Assemble



Preparation
Floor Space 2.5 x 2.5m
Height 2.1m

TOOLS REQUIRED

Tape Measure



Pozi No 2



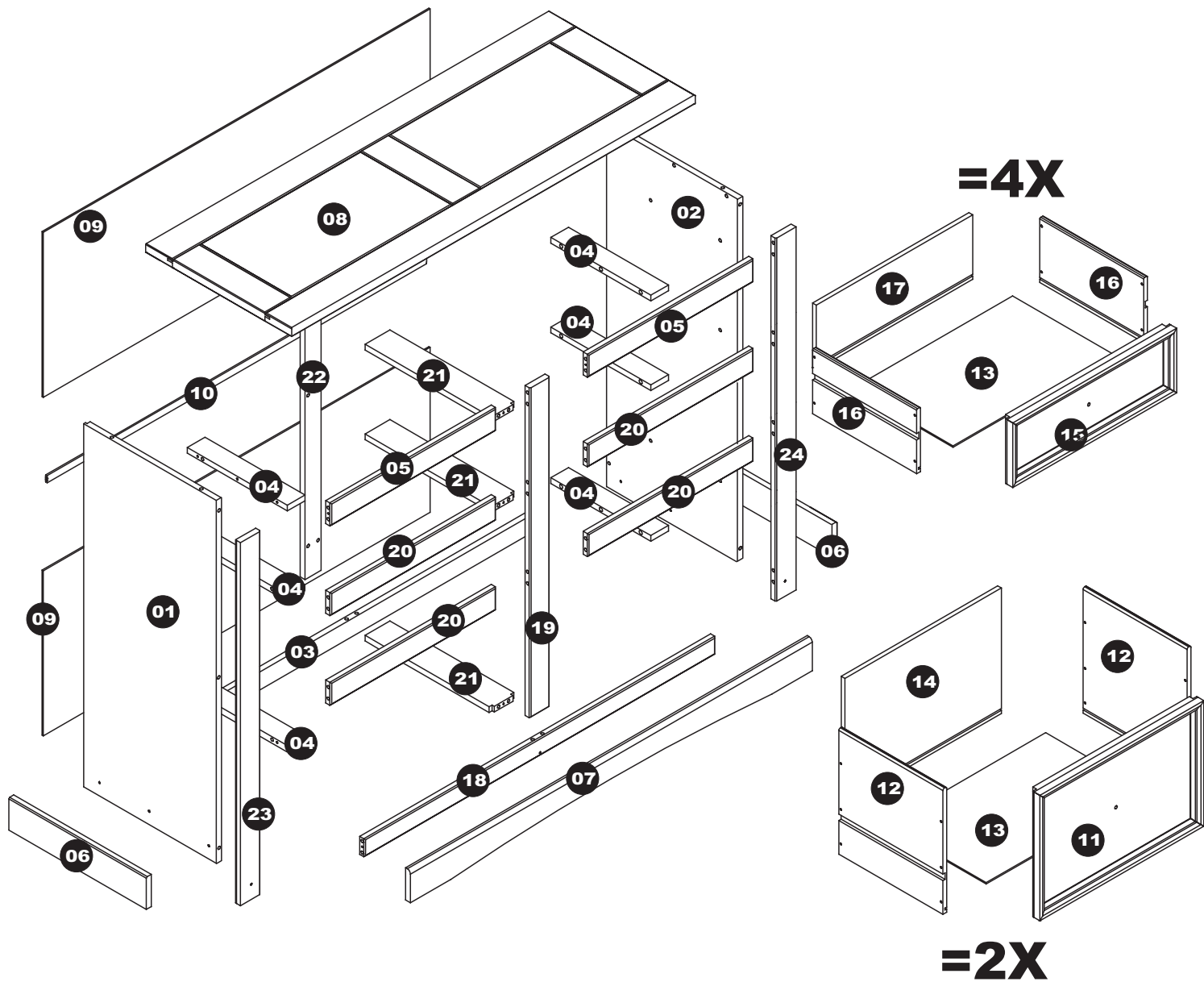
Recycling- the packaging materials for this product may be recycled through your local recycling centre. When you want to dispose of the product it self, please consider donating it to a local charitable organization, otherwise recycle it through your local recycling centre.


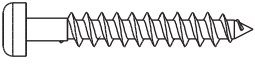



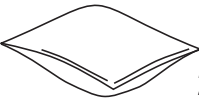
IMPORTANT: READ CAREFULLY AND RETAIN FOR FUTURE REFERENCE




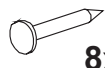
Please refer to the "Hometime" care leaflet enclosed for information regarding the maintenance and use of your product.
 For Domestic Use Only

Please register this product at www.suntime-spares.co.uk to access the future spare parts requirement.

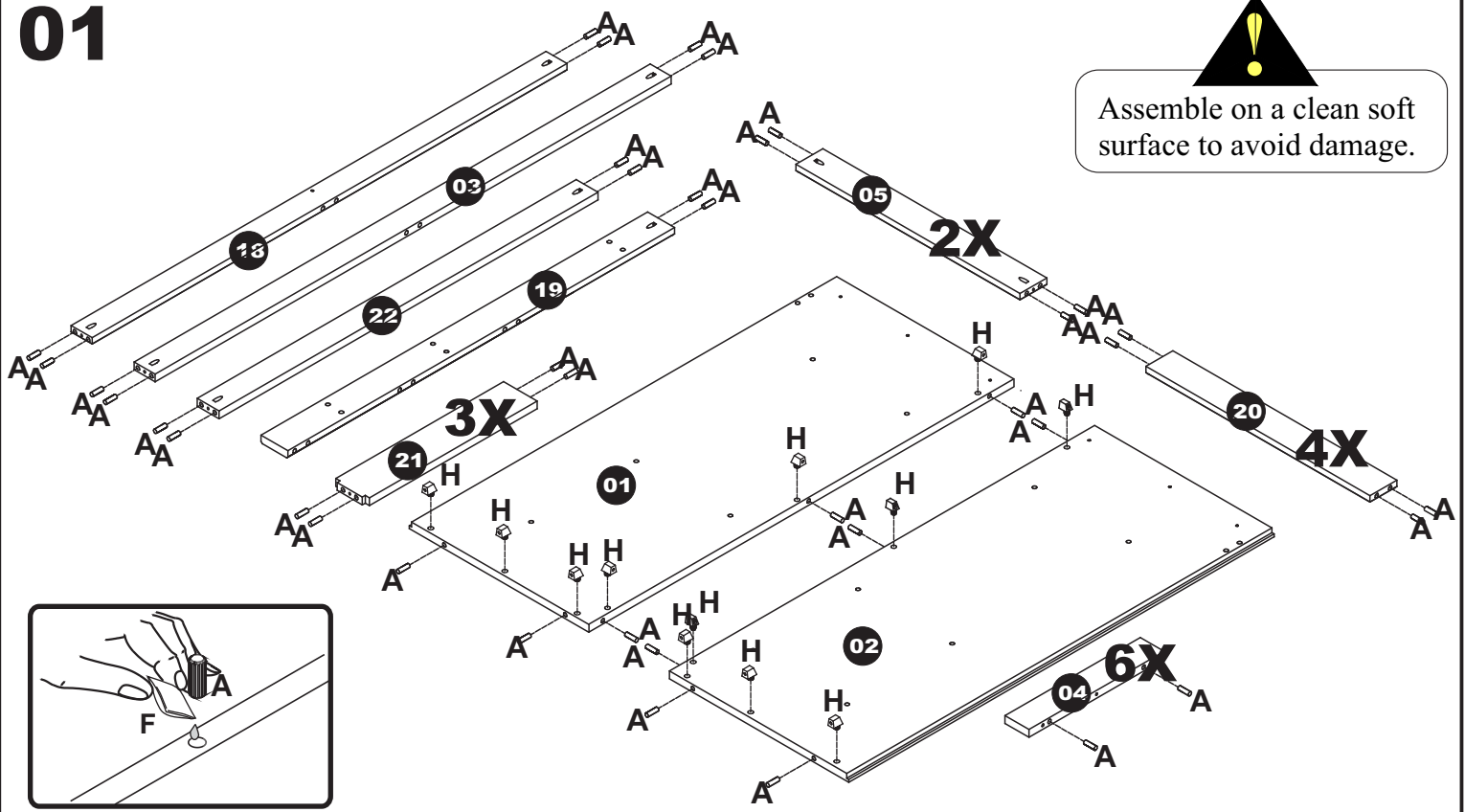
Imported by Transcontinental Group Ltd, Oliver's Place, Eastway, Fulwood, Preston, Lancs. PR2 9WS



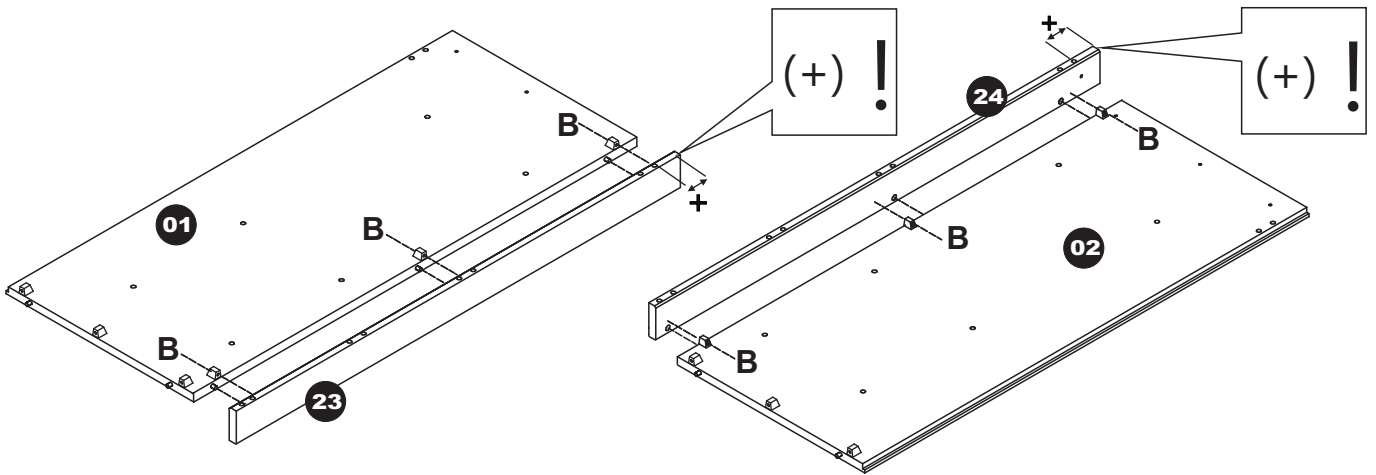
A	 8,0x25	72
B	 4,5X28	48
C	 3,5X30	56
D	 3,5X25	10
E		06
F	 20g	01

G		01
H		12
J		08
Z	 8x8	24

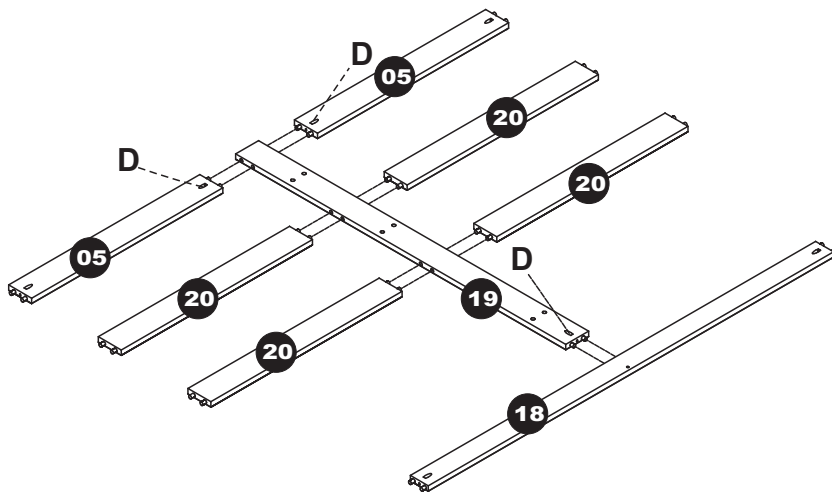
01



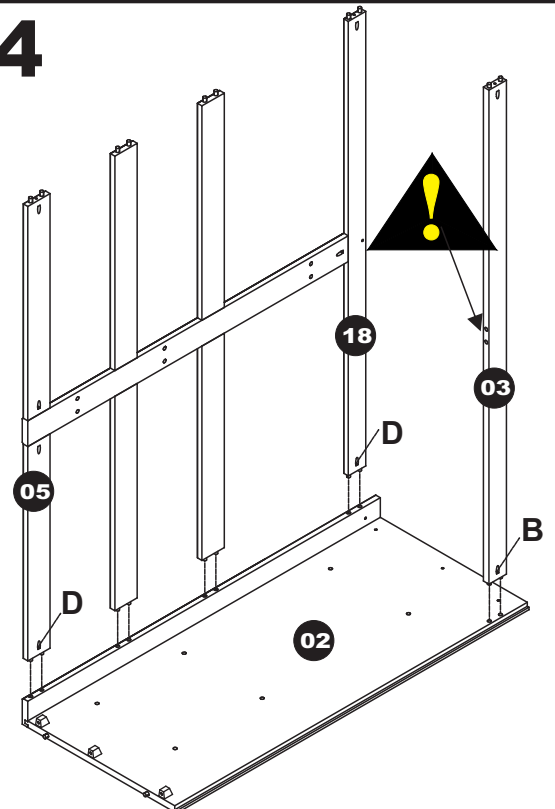
02



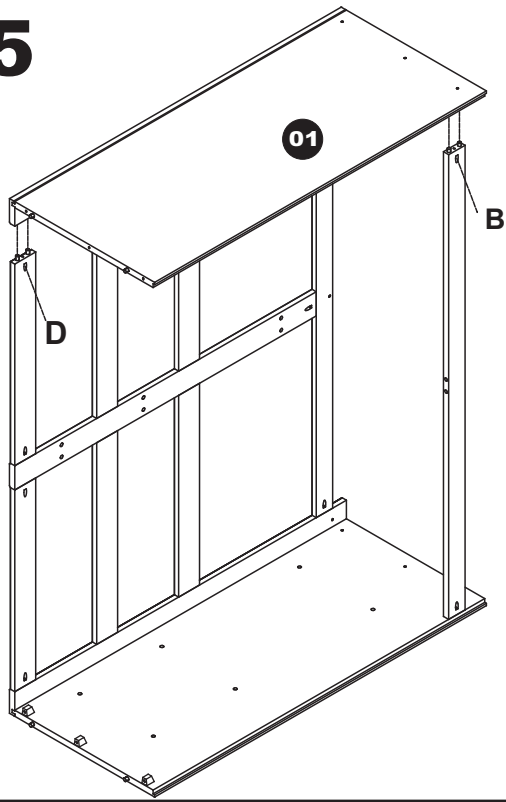
03



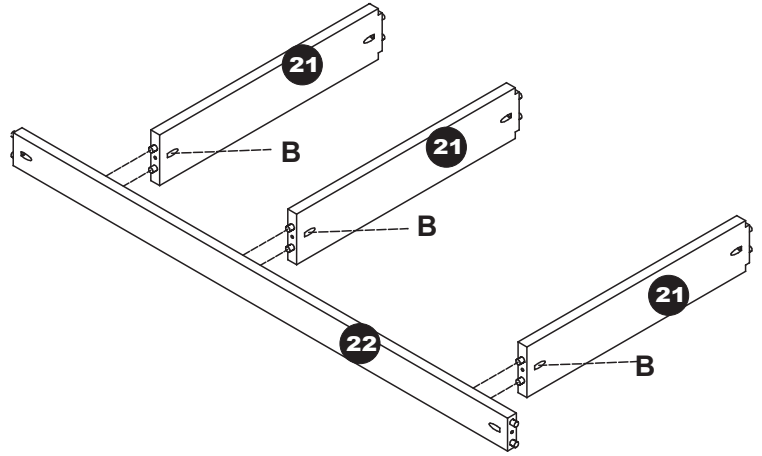
04



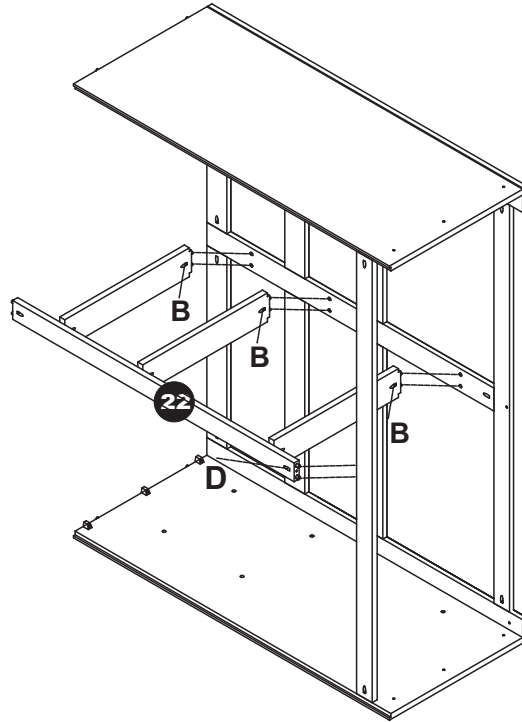
05



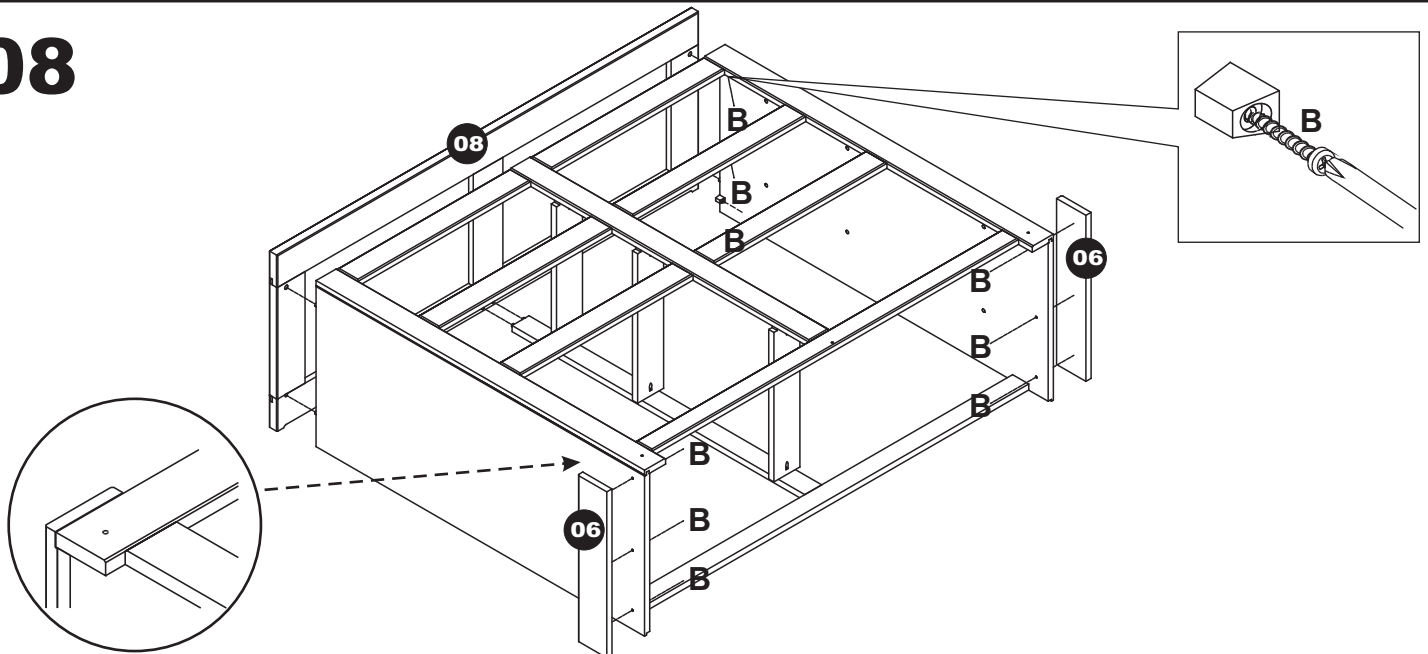
06



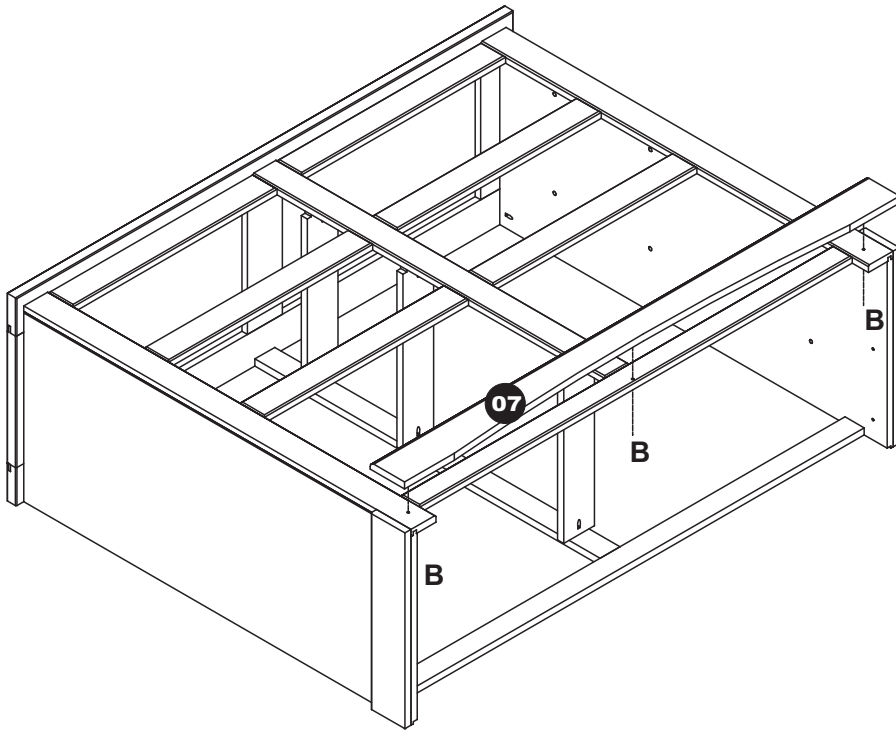
07



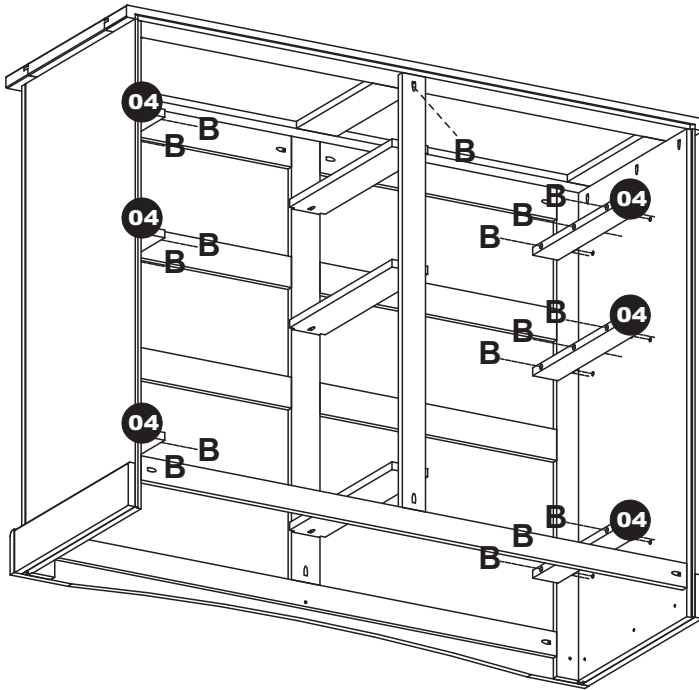
08



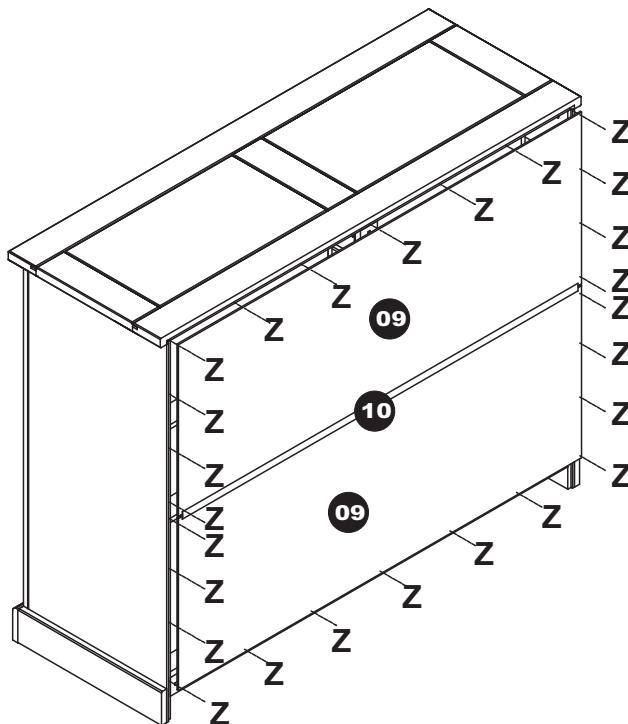
09



10

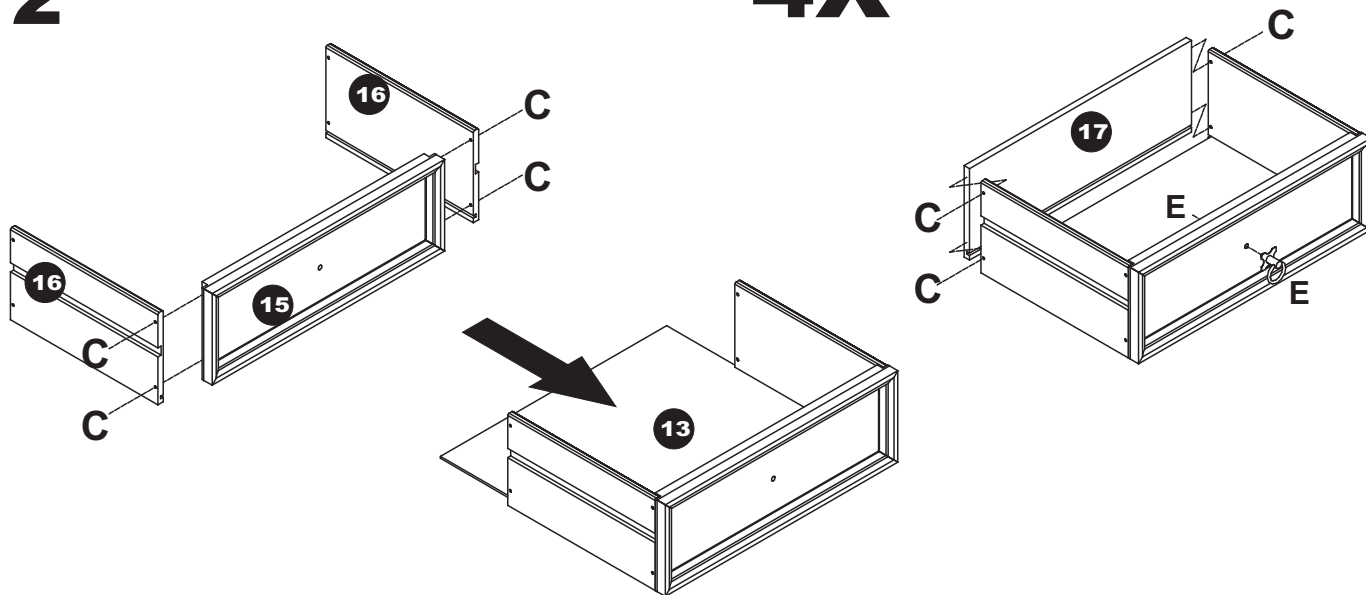


11



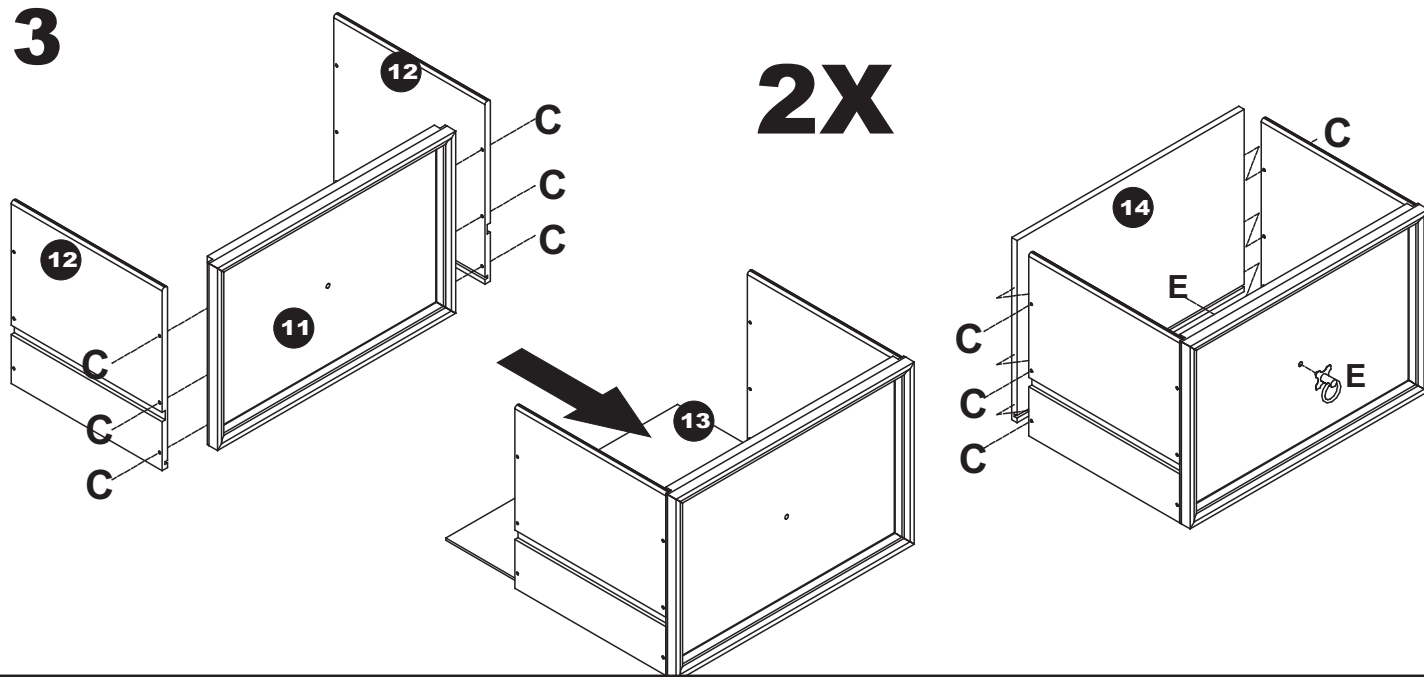
12

4X



13

2X



14

