

Dover Bath

HW496OP_2G40

1.0



Wall Sconces

GENERAL PRODUCT INFORMATION:



This product can mount to either a 4" square electrical box with round plaster ring or an octagon electrical box.

This product is suitable for damp locations.

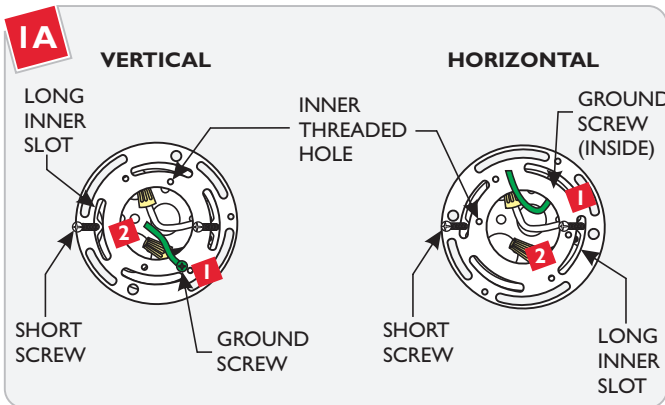
This product can be dimmed with a standard incandescent dimmer.

CAUTION - RISK OF FIRE

This product requires installation by a qualified electrician. Before installing be sure to read all instructions and **TURN OFF THE POWER TO THE ELECTRICAL BOX.**

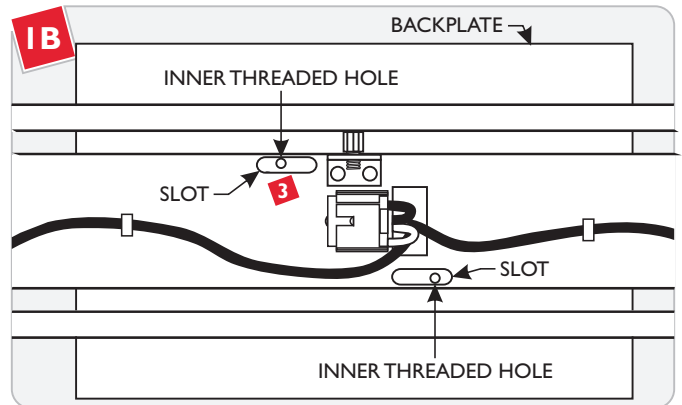


Install the Mounting Plate



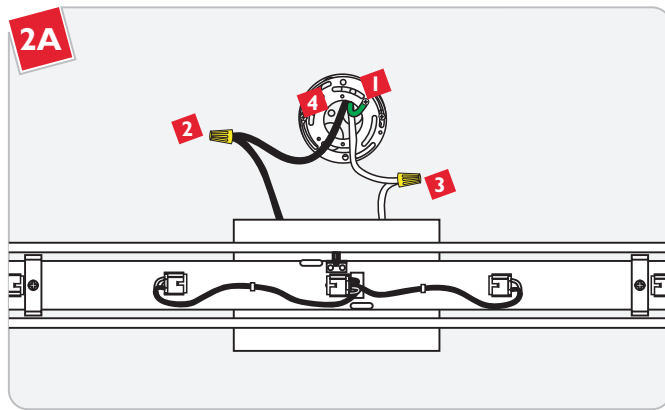
NOTE: These steps assume the threaded electrical box holes are lined up horizontally. If the holes are lined up vertically, follow the instructions opposite the desired mounting direction.

- 1** If mounting vertically: Make sure the green ground screw head faces out of the electrical box.
If mounting horizontally: Make sure the green ground screw head faces into the electrical box.
- 2** Line up two long inner mounting plate slots with the two electrical box holes and screw in the short #8-32 screws.



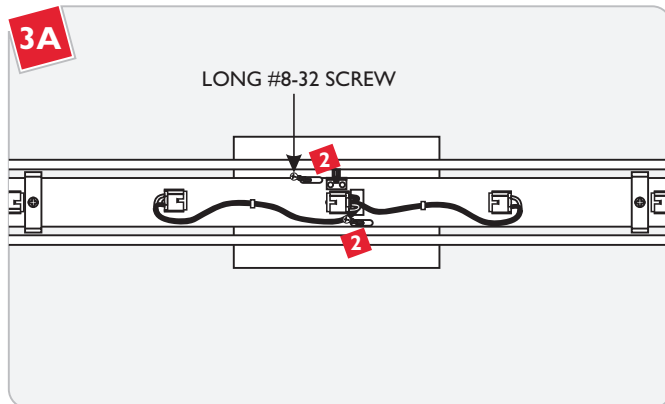
- 3** Hold the backplate up to the mounting plate. Line up the slots in the backplate with the inner threaded holes in the mounting plate.
- 4** Adjust the mounting plate as necessary so the backplate is level when the threaded holes line up with the slots.
- 5** Fully tighten the short #8-32 screws to secure the mounting plate in the desired position.

Connect the Power



- 1 Make sure that the mounting plate is grounded in accordance with local electrical codes.
- 2 Connect the black fixture wire to the hot power line wire with a wire nut.
- 3 Connect the white fixture wire to the neutral power line wire with a wire nut.
- 4 Properly place all wires into the electrical box.

Install the Backplate



- 1 Line up the two backplate slots with the two mounting plate inner threaded holes.
- 2 Secure the backplate to the electrical box with the two long #8-32 screws provided.

 **LBL Lighting**

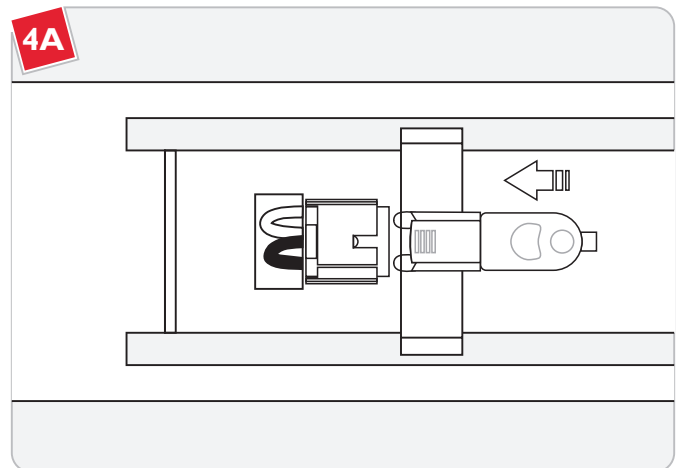
7400 Linder Ave, Skokie, IL 60077
800.323.3226 - 847.626.6300

www.lblighting.com

© 2008 LBL Lighting. All rights reserved. The "LBL Lighting" graphic is a registered trademark of LBL Lighting. LBL Lighting reserves the right to change specifications for product improvements without notification.

A Generation Brands Company

Install the Lamps and Shade

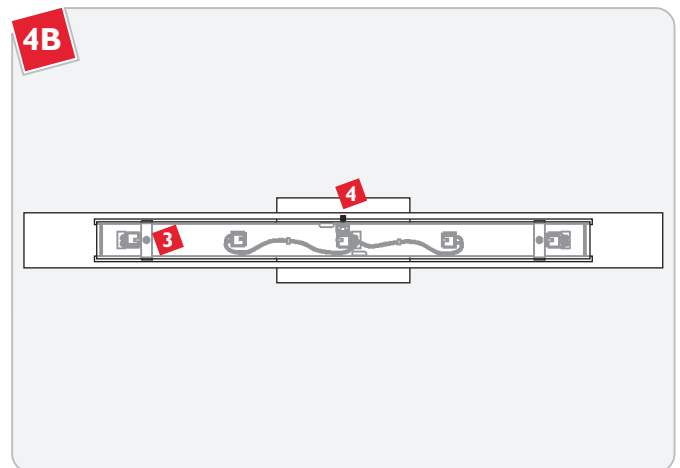


CAUTION: To reduce the risk of a burn or electric shock during relamping, disconnect the power to the fixture.

Use **MAX** 120 Volt, **60 Watt** Type T4, G9 Base Bi-Pin Halogen Lamp.



- 1 Push the lamp base completely into the socket. Repeat for all five lamps.



- 2 Remove the thumbscrew from the bracket on the backplate.
- 3 Place the shade onto the backplate.
- 4 Insert the thumbscrew through the hole in the shade and screw it into the bracket on the backplate to secure the shade.

SAVE THESE INSTRUCTIONS!