

SPECIFICATIONS

8" WALL MOUNT TUB SPOUT WITH DIVERTER

Description

- Fits 1/2" copper or 1/2" IPS stub out nipple

Standards

MEETS ASME
A112.18.1M/A112.18.1

• ASME A112.18.1M/A112.18.1

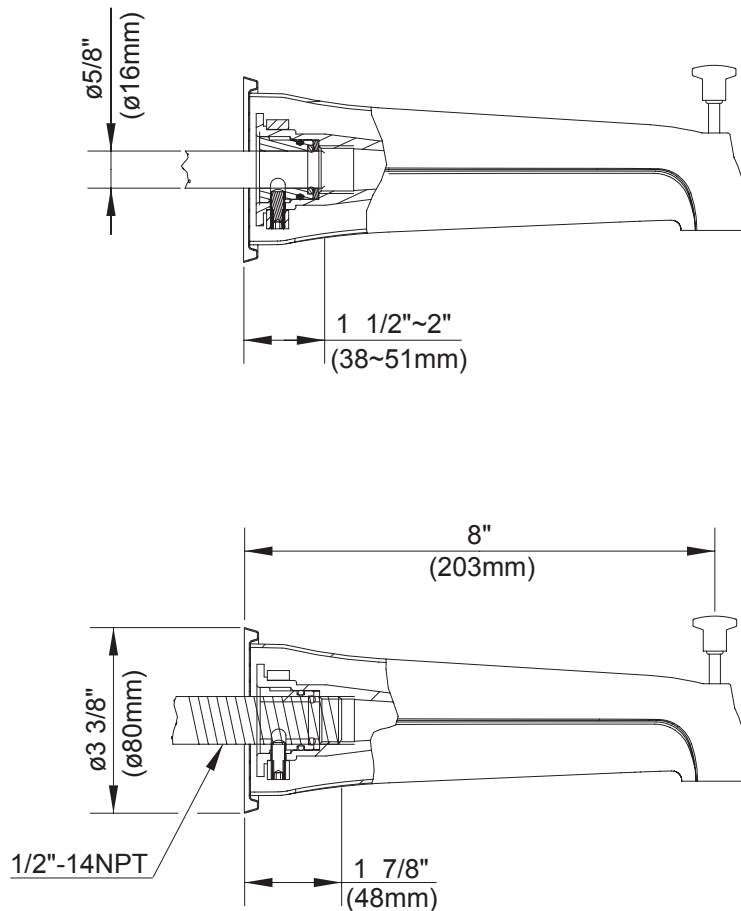
Warranty

Danze products are covered by a manufacturer's limited "lifetime" warranty for manufacturing defects.



Finishes Available

- Chrome
- Other: Refer to Price List for additional finish



Submittal Information:

Job Name: _____
 Contractor: _____

Location: _____
 Contact #: _____