

SPECIFICATIONS

AMALFI™ SINGLE HANDLE PULL-DOWN KITCHEN FAUCET

Model

D454530

Description

- Ceramic disc valve
- 16 1/2" high spout, 8" spout length
- 2 function spray/aerated stream
- Quiet running hose with spring retraction
- Single hole mount
- Flow rate: 2.2 gpm @ 60 psi

Standards



NSF/ANSI 372

- NSF/ANSI 372



- ASME A112.18.1M/A112.18.1

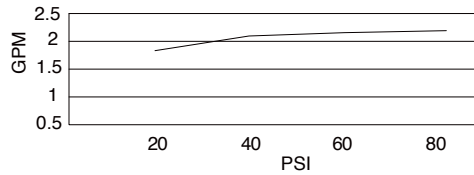


- ADA Accessibility Guidelines for Buildings and Facilities - 4.27.4 Controls and Mechanisms

Warranty

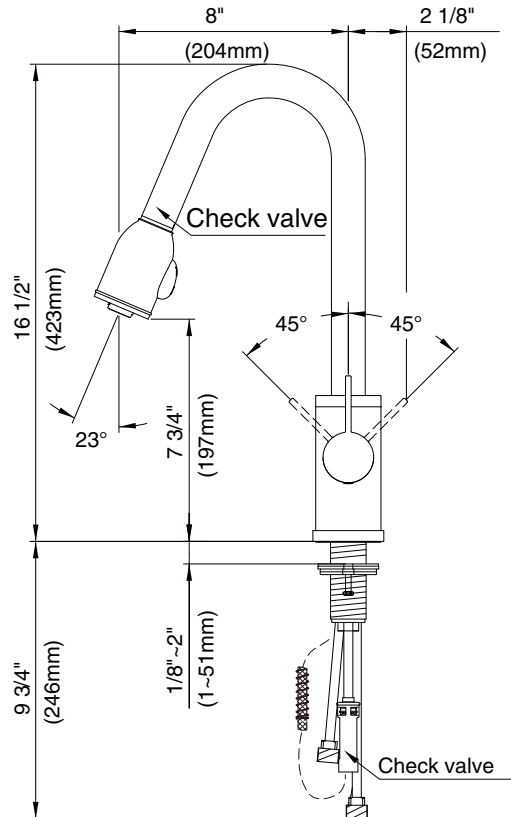
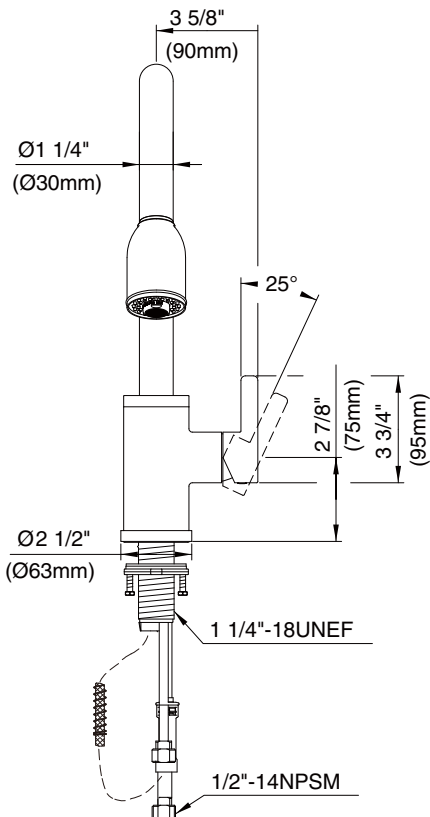
Danze products are covered by a manufacturer's limited "lifetime" warranty for manufacturing defects.

Flow Rate



Finishes Available

- Chrome
- Other: Refer to Price List for additional finish



Submittal Information:

Job Name: _____
 Contractor: _____

Location: _____
 Contact #: _____