

Assembly Instructions

DATE STAMP	
------------	--



CONTACT US FIRST
 parts@prepacmfg.com
 1-877-PREPAC1
 1-877-773-7221

Mon - Fri 7am - 4pm PST
 10am - 7pm EST

- For help with assembly
- If you have received a damaged or defective part or are missing hardware.

We will process replacement parts in 2 business days or less. Parts are shipped via UPS Ground or mail.

Before you call please:

- 1) Record the following information from the shipping label on the outside of the box. You will need it for warranty purposes:

 Ship To Name
 Sales Order Number
- 2) Note the product model number.
- 3) Review the contents of your shipment to determine what you are missing.

Online Option

Fill out the Replacement Parts Order form in the Product Support section of our website: www.prepacmfg.com

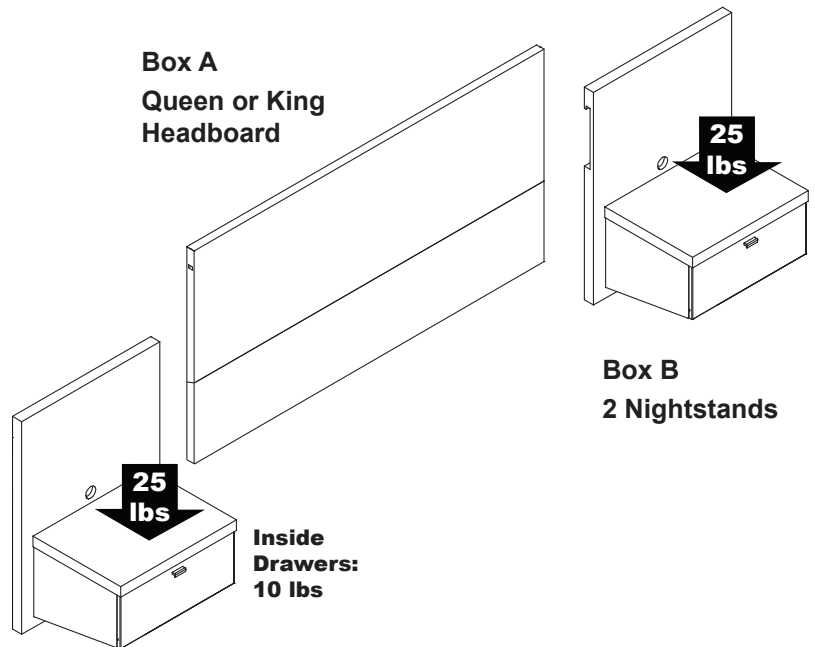
Floating Headboard & Nightstand System

Model

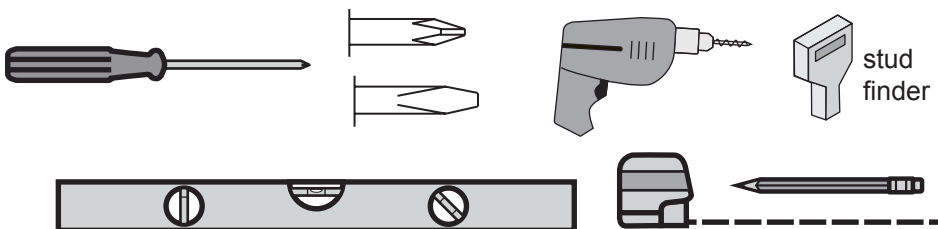
Queen: HHQ-0520-2K

King: HHK-0520-2K

This product is shipped in 2 boxes



Required Tools



Caution

Do not over tighten any screw. The last few turns of each screw should be done very slowly or by hand.

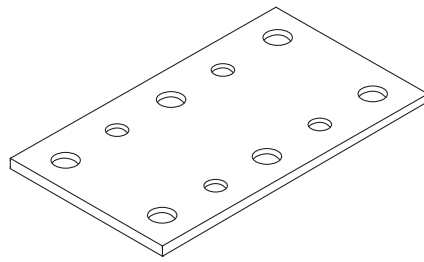
Prepac Manufacturing Ltd.
 6705 Dennett Place
 Delta, BC V4G 1N4

LB-0722
 2014-12-19

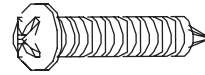
Hardware Identification



3 1/2" Wood Screw
Queen size (7)
King size (8)
RM-0888



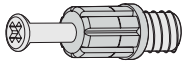
Mending Plate (Package of 4)
RM-0887



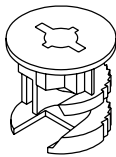
#8 - 5/8" Screw (24)
RM-0394



1" Euro Screw (4)
RM-0467



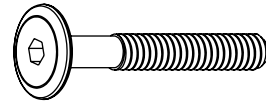
24mm Green
Twister Dowel (12)
RM-0501



15mm Zinc Cam
(large) (12)
RM-0103



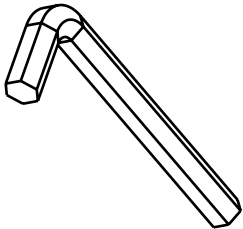
Wood Dowel (4)
RM-0069



60 mm JCB Bolt (8)
RM-0801 nickel



JRN Nut (8)
RM-0312



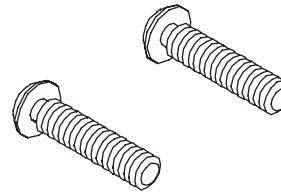
Allen Key
RM-0313



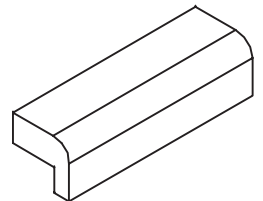
Euro Screw (16)
RM-0074



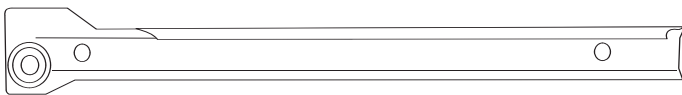
Black Round Grommit
(2)
RM-0885



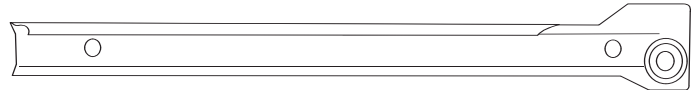
Chrome Handle & screws (2)
RM-0824



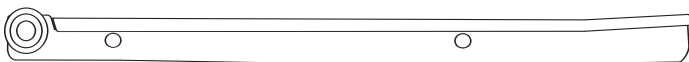
See page 10 for Drawer Hardware & Parts



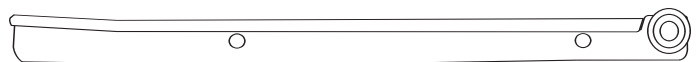
2 LEFT Gray Cabinet Slide
RM-0469-G



2 RIGHT Gray Cabinet Slide
RM-0469-G

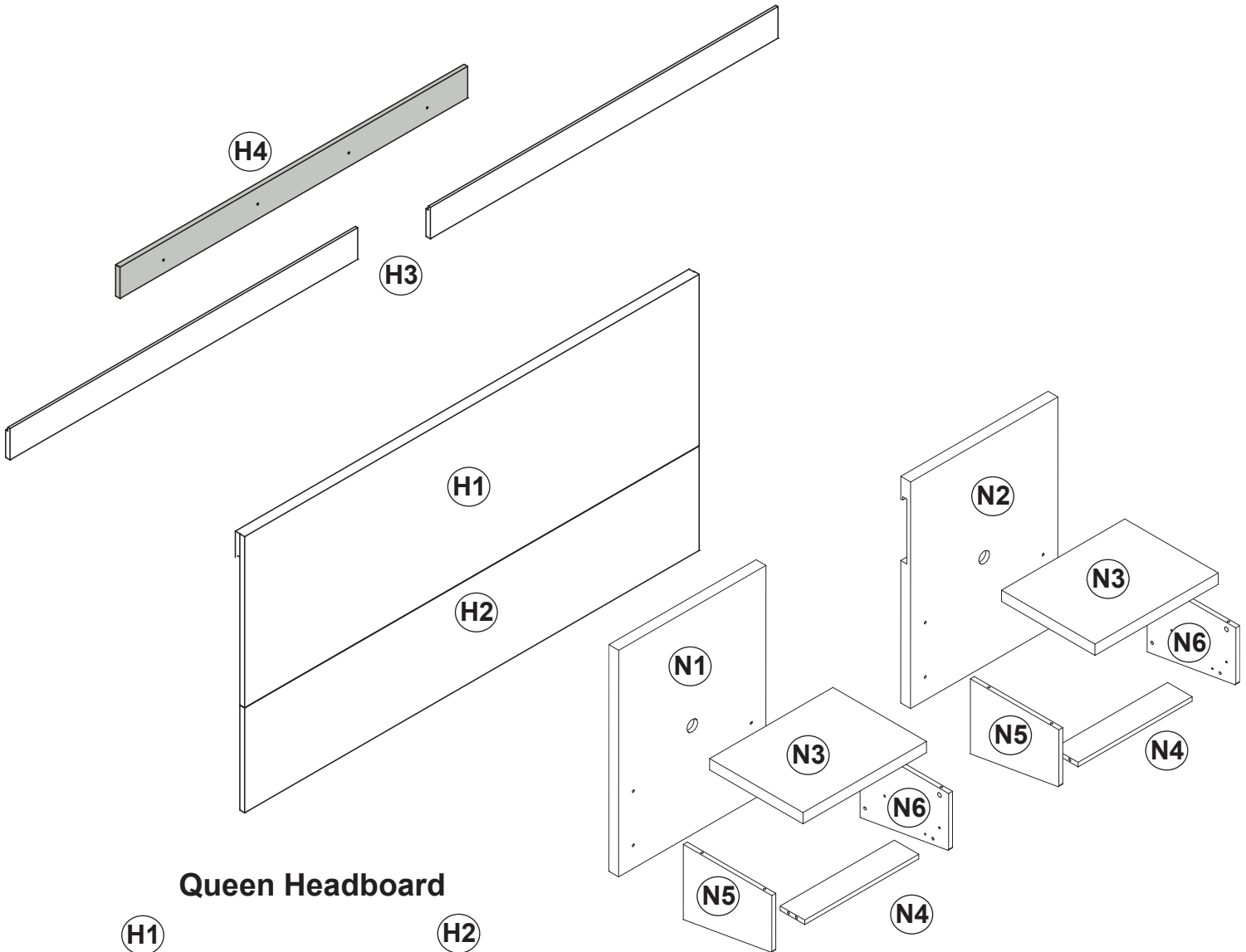


2 LEFT Gray Drawer Slide
RM-0469-G



2 RIGHT Gray Drawer Slide
RM-0469-G

Headboard & Nightstand Parts



Queen Headboard

H1

Top Headboard Panel (1)
HB-10033-B black
HB-10033-E espresso

H2

Bottom Headboard Panel (1)
HB-10034-B black
HB-10034-E espresso

H3

Wall Stabilizer (2)
ST-10046

H4

Back Panel (1)
ST-10047

King Headboard

H1

Top Headboard Panel (1)
HB-10035-B black
HB-10035-E espresso

H2

Bottom Headboard Panel (1)
HB-10036-B black
HB-10036-E espresso

H3

Wall Stabilizer (2)
ST-10048

H4

Back Support (1)
ST-10050

Nightstand Parts

N1

Left Wall Panel (1)
SL-10046-B black
SL-10046-E espresso

N2

Right Wall Panel (1)
SR-10046-B black
SR-10046-E espresso

N3

Nightstand Top (2)
TP-10043-B black
TP-10043-E espresso

N4

Bottom Stabilizer (2)
ST-10044

N5

Left Side (2)
SL-10043-B black
SL-10043-E espresso

N6

Right Side (2)
SR-10043-B black
SR-10043-E espresso

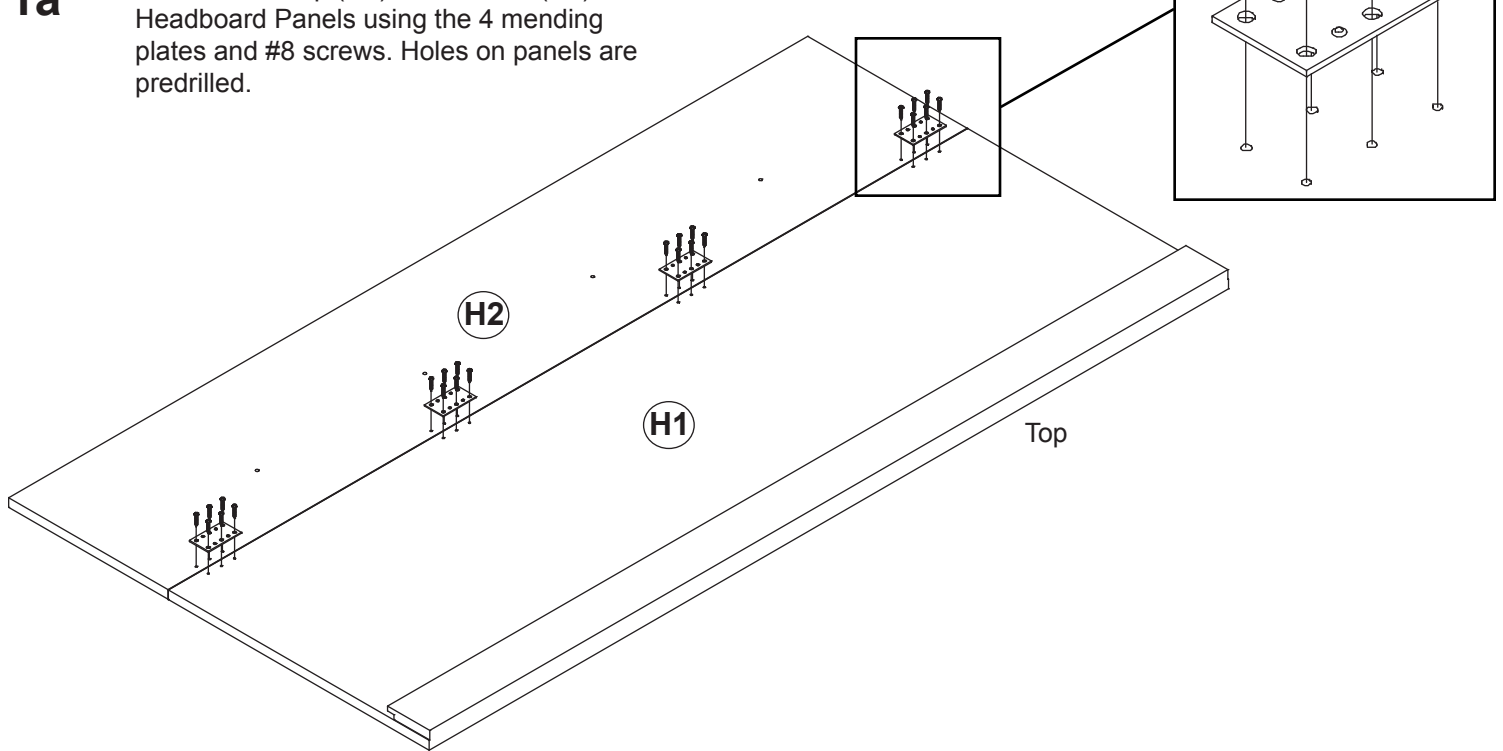
See page 10 for drawer components

These instructions are used for both the Queen & King headboards.

Illustrations show the Queen Headboard

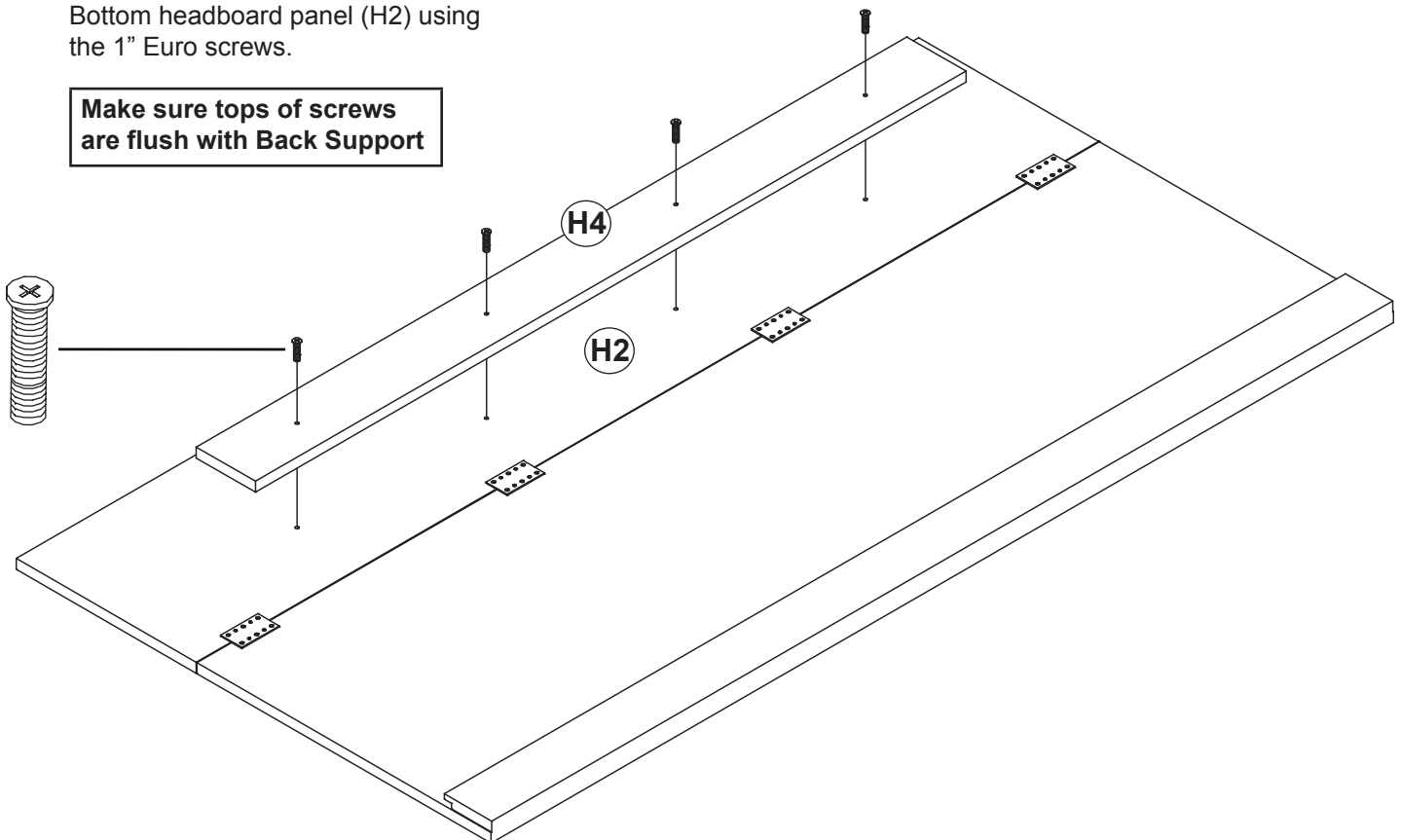
Step 1 Estimated Time: 15 Minutes

- 1a** Connect the Top (H1) and Bottom (H2) Headboard Panels using the 4 mending plates and #8 screws. Holes on panels are predrilled.



- 1b** Attach the Back Support (H4) to the Bottom headboard panel (H2) using the 1" Euro screws.

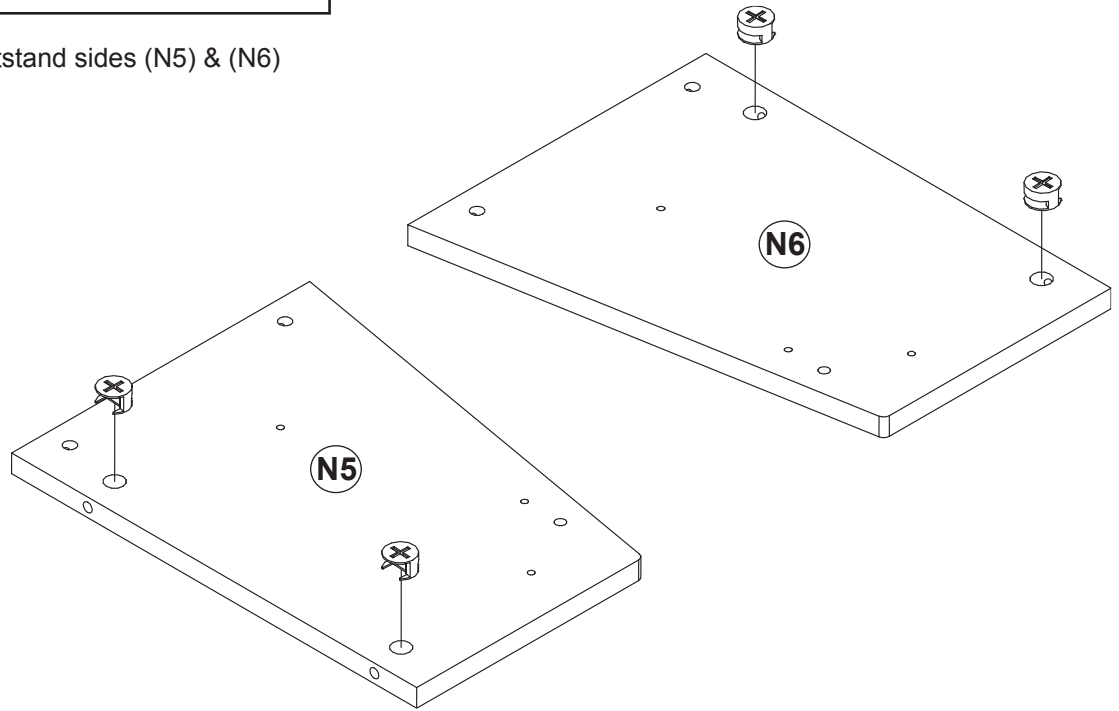
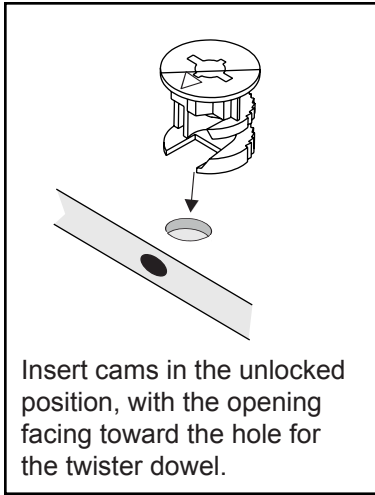
Make sure tops of screws are flush with Back Support



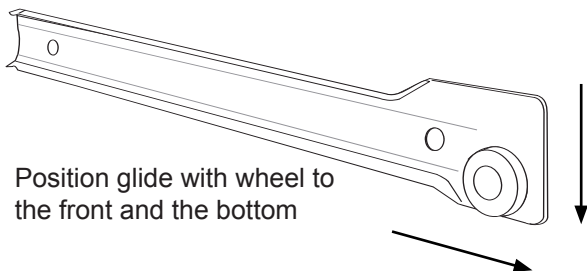
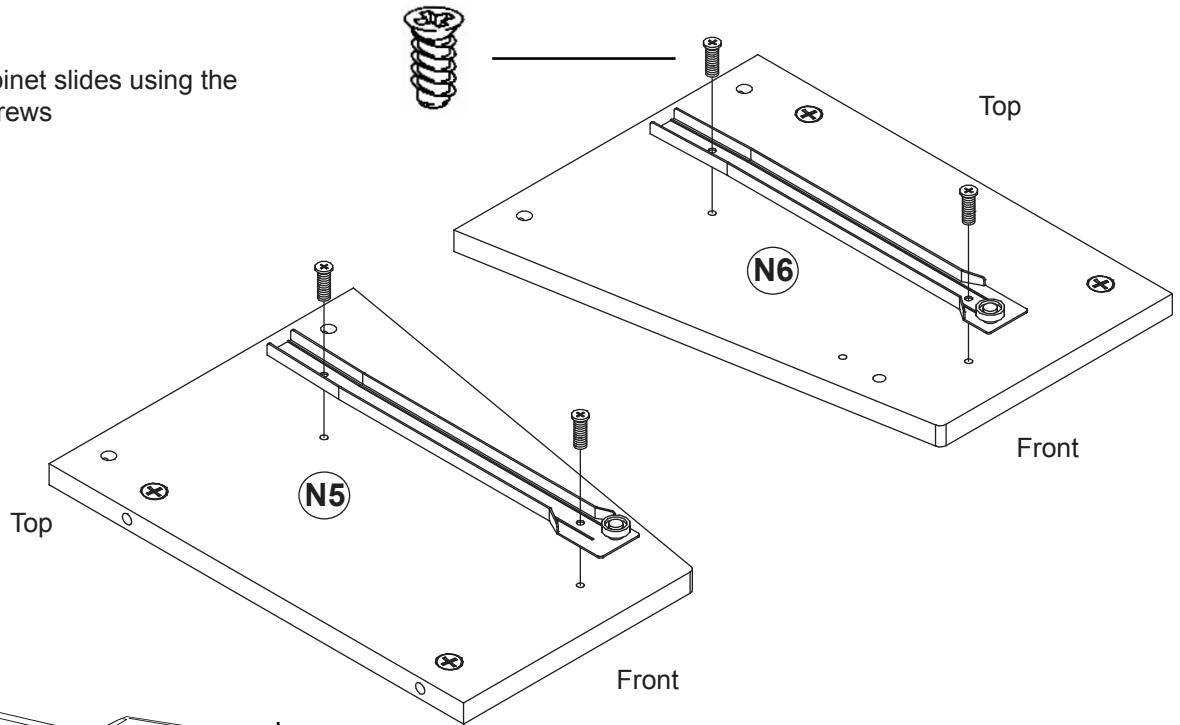
Step 2 Estimated Time: 10 Minutes

Assemble both nightstands using the following steps

2a Insert cams into Nightstand sides (N5) & (N6)



2b Attach metal cabinet slides using the **SHORT** Euro screws

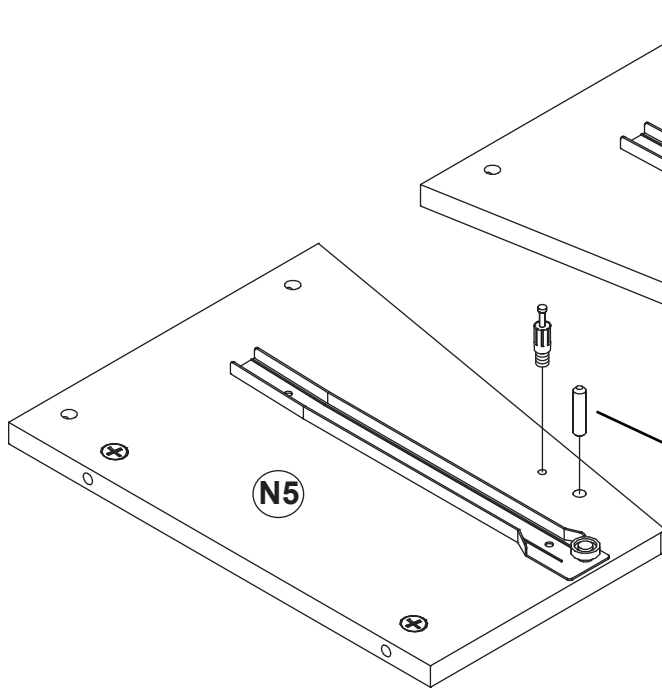


ONLINE HELP

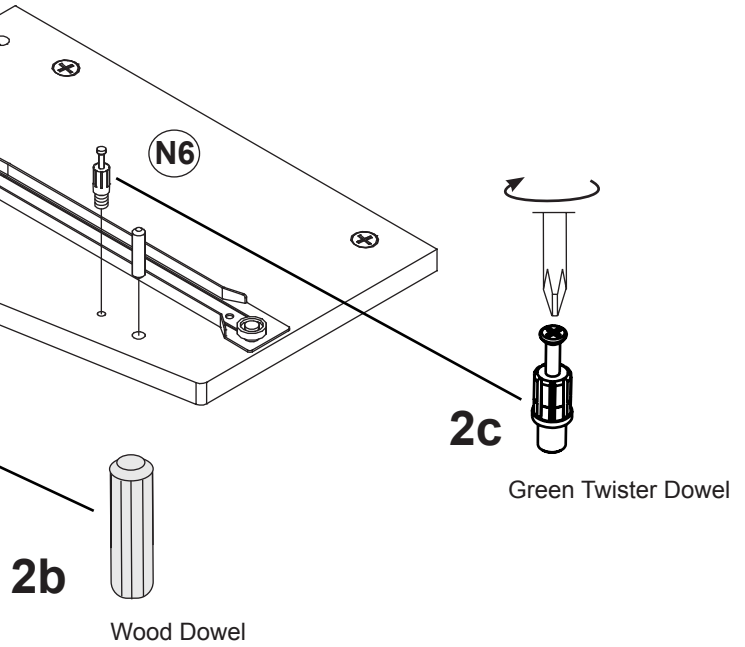
To see videos showing how to use cams and connectors, and how to install wall mounted products, visit Product Support on our website: <http://www.prepacmfg.com/content/assembly>

Step 3 Estimated Time: 10 Minutes

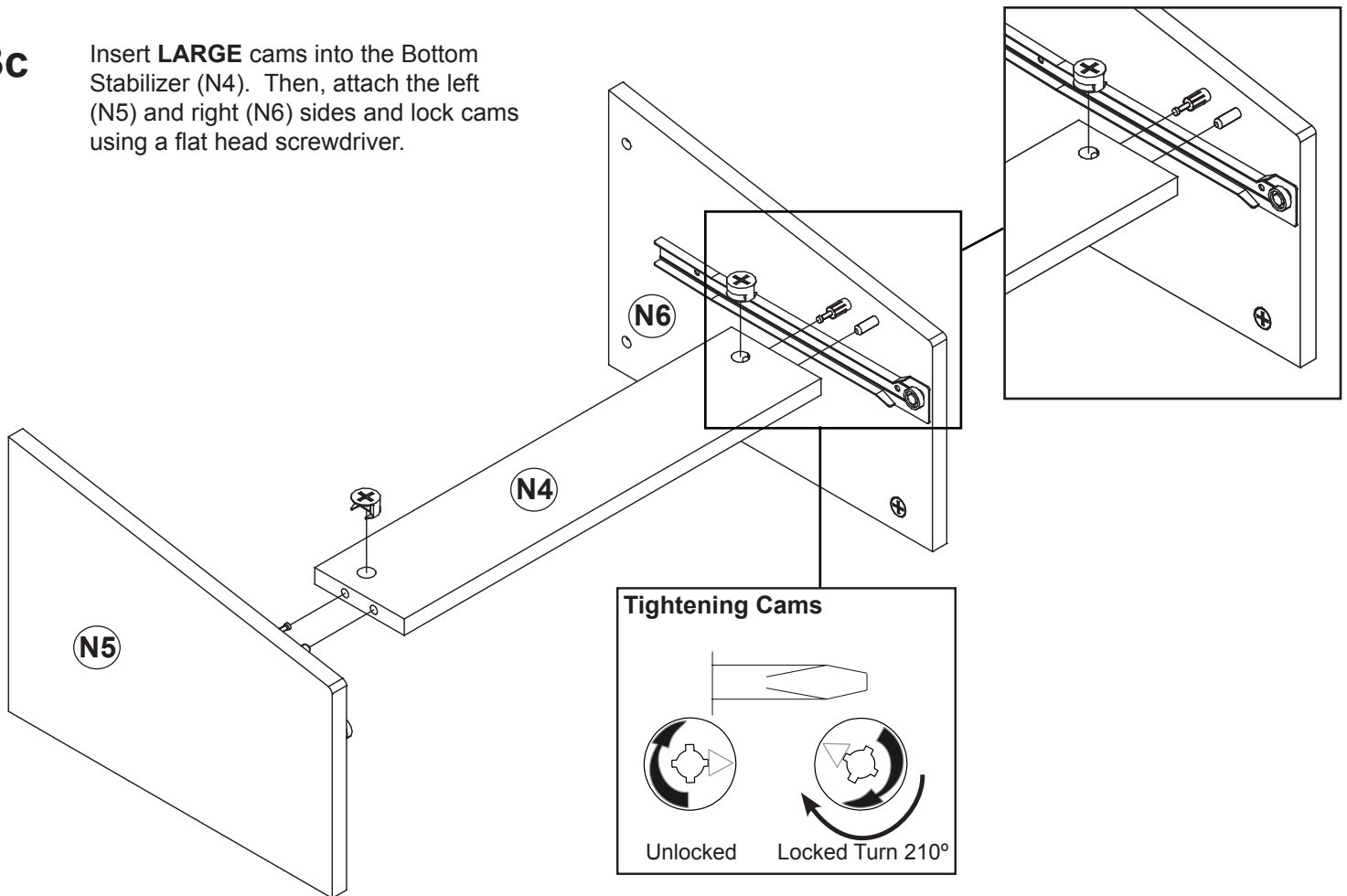
3a Insert wooden dowels into the left (N5) and right sides (N6) where shown



3b Screw green twister dowels into the left (N5) and right sides (N6) where shown

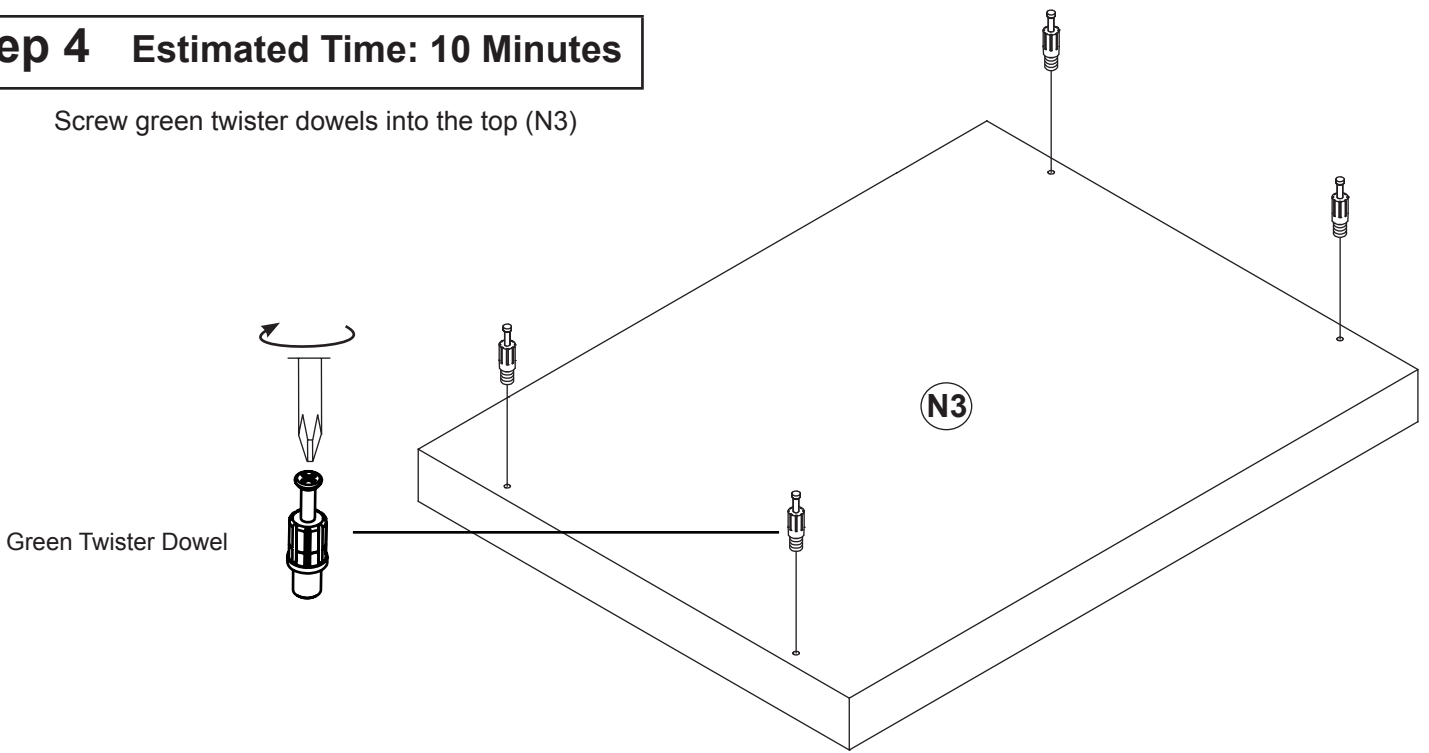


3c Insert **LARGE** cams into the Bottom Stabilizer (N4). Then, attach the left (N5) and right (N6) sides and lock cams using a flat head screwdriver.

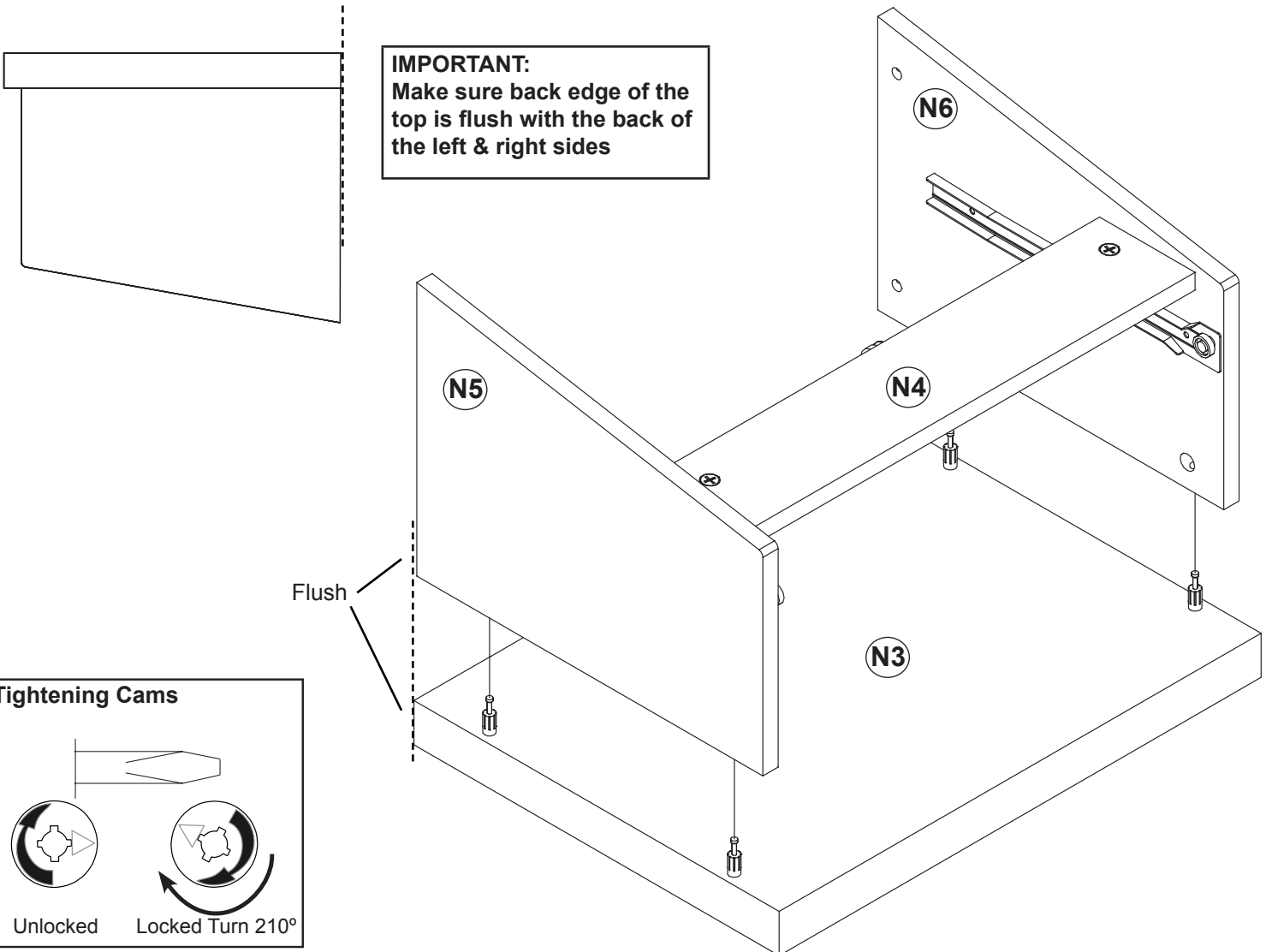


Step 4 Estimated Time: 10 Minutes

4a Screw green twister dowels into the top (N3)



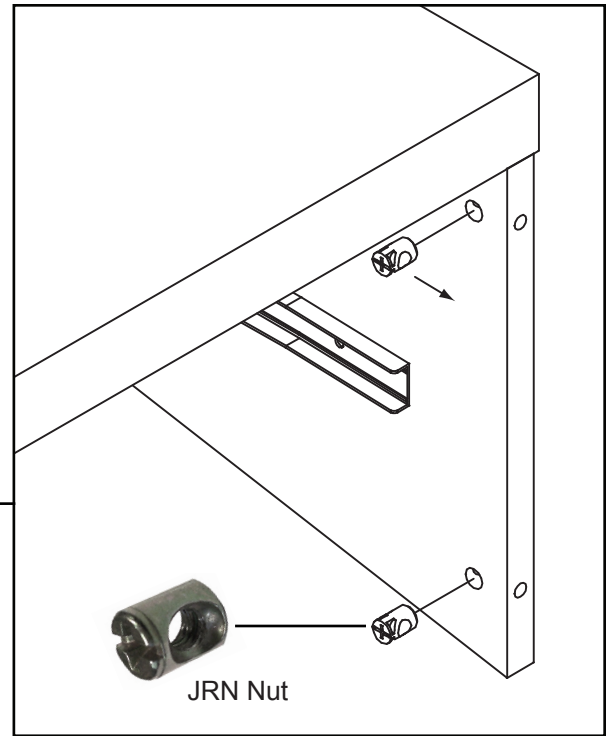
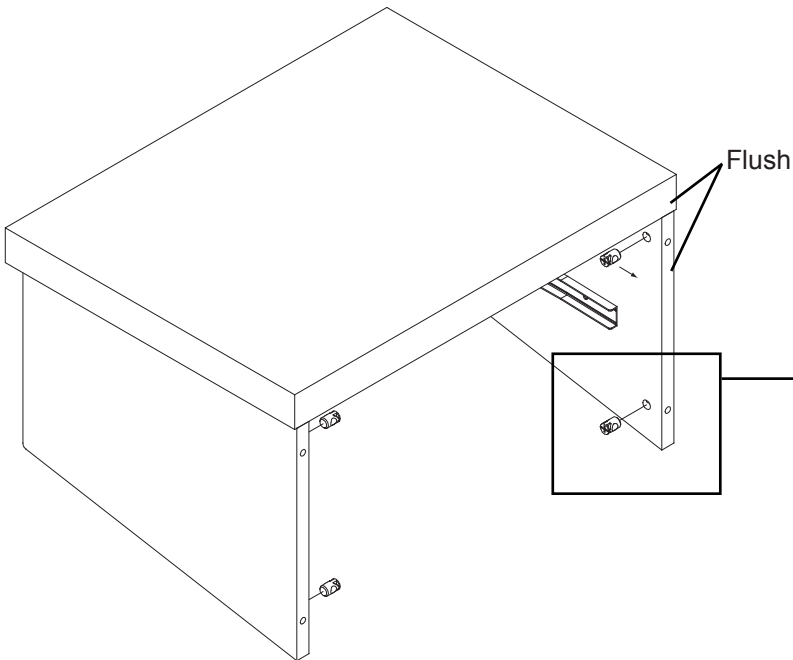
4b Attach sides to the top (N3) then, tighten cams.



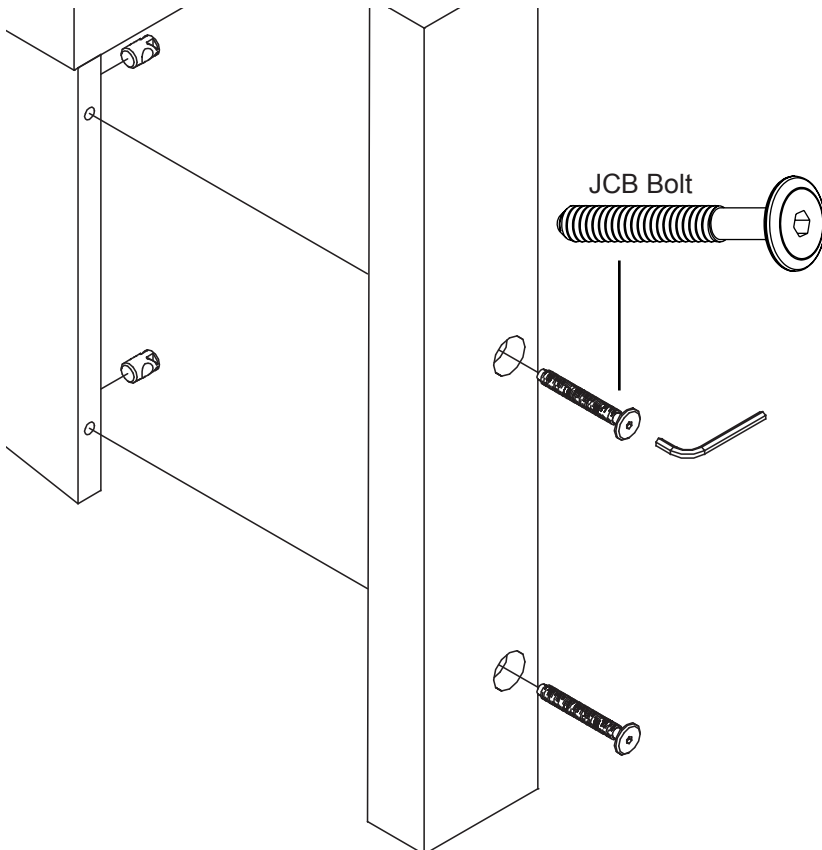
Step 5 Estimated Time: 15 Minutes

Attaching the Nightstand Wall Panels

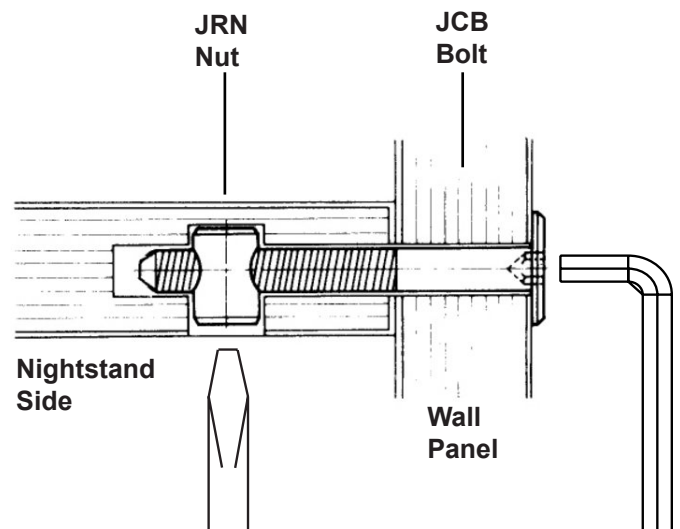
5a Insert JRN Nuts into the Nightstand sides. Make sure the hole on the JRN nut is lined up with the hole at the back of the side.

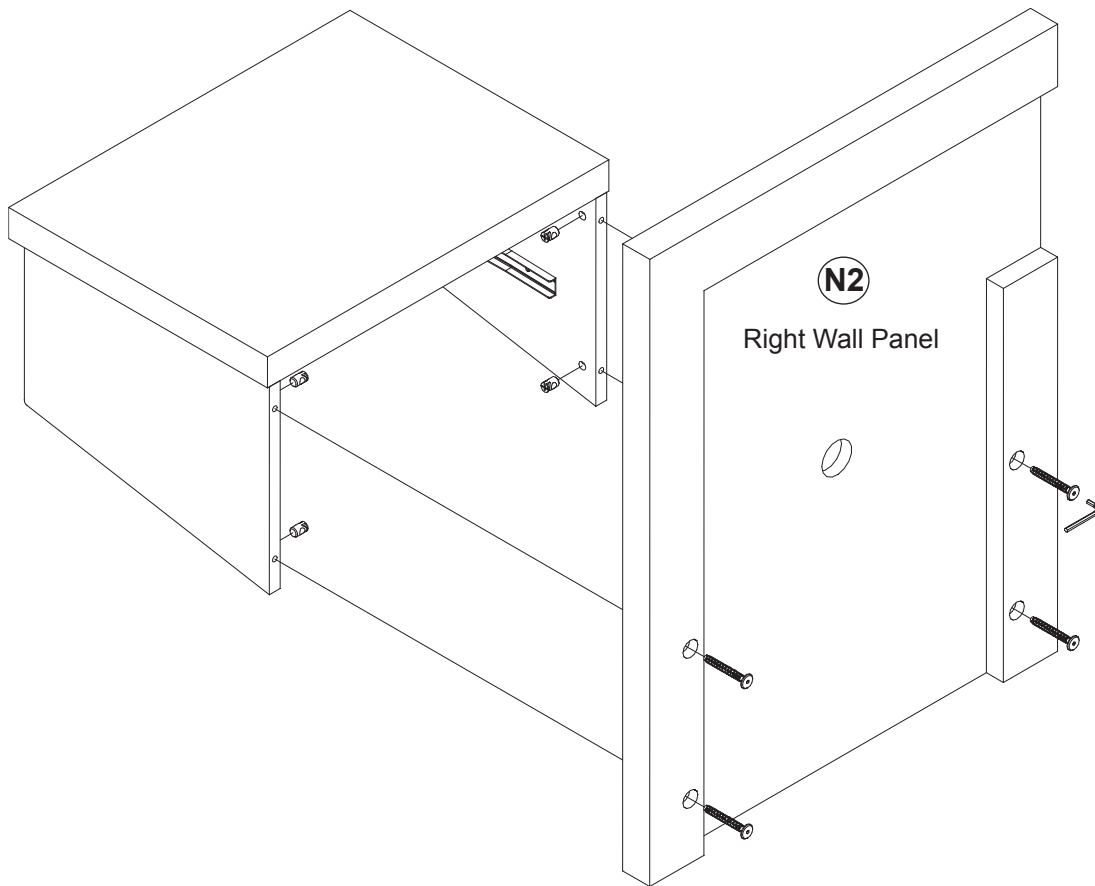
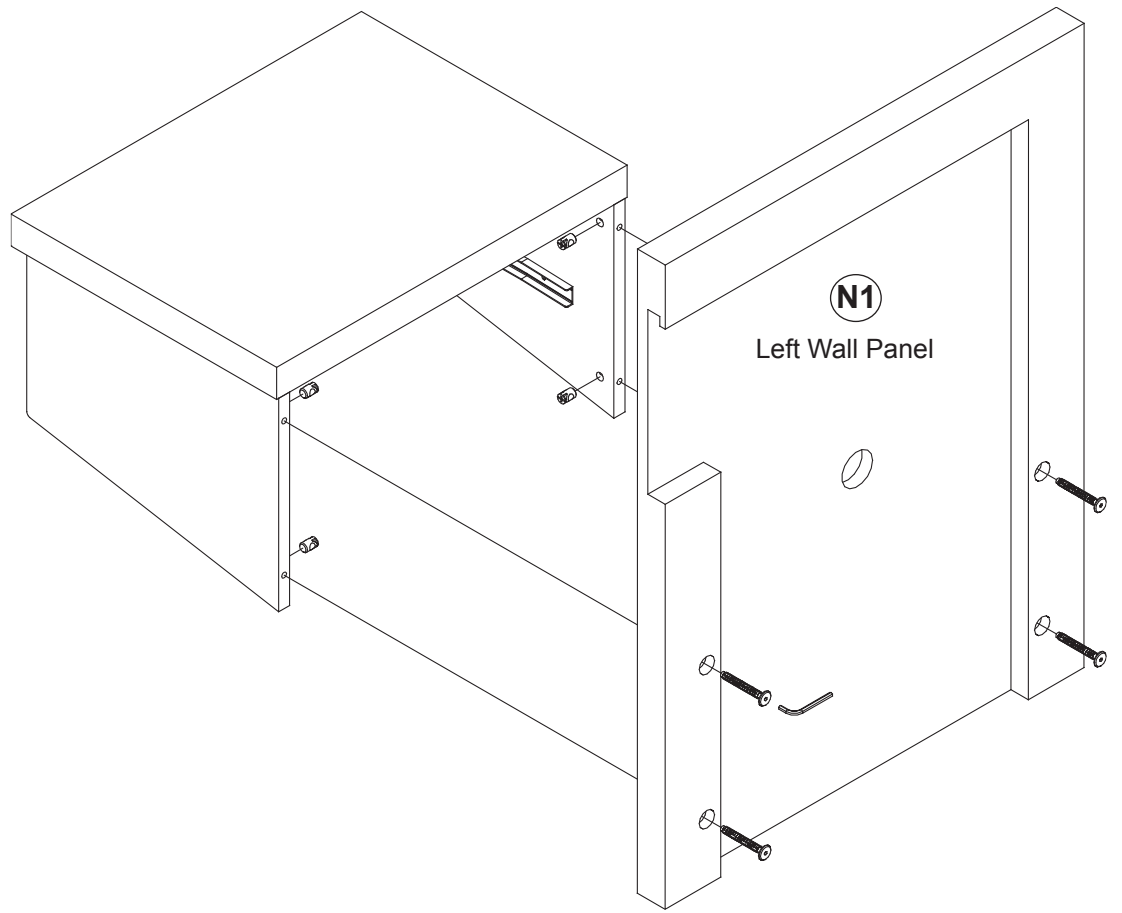


5b Insert the JCB Bolts through the back of each Wall Panel until it connects with the JRN Nut.



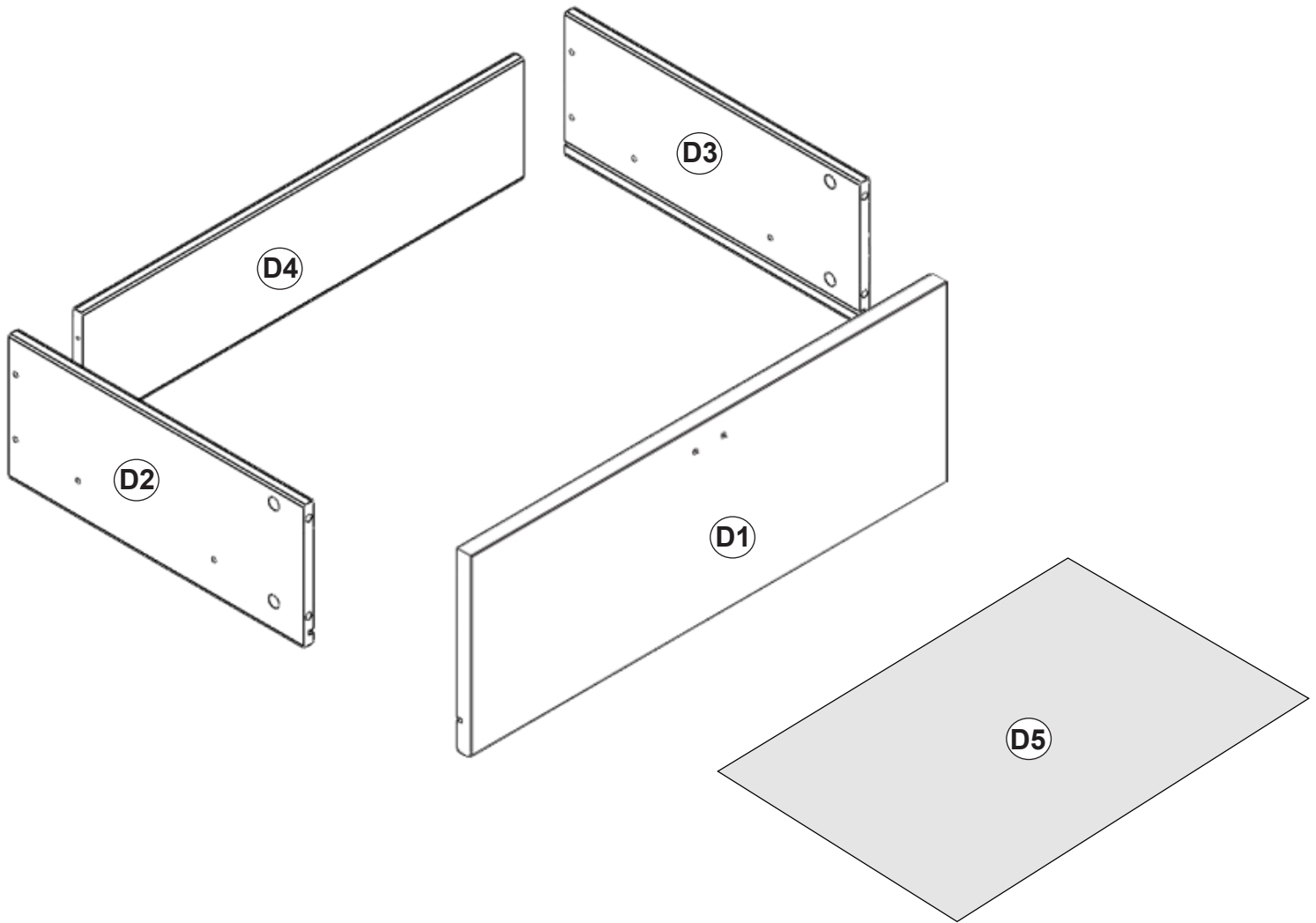
5c Hold the nut in place with a flathead screwdriver and tighten the JCB Bolt with the Allen Key provided





Drawer Assembly

Drawer Parts



D1

Drawer Front (2)
DF-10031-B black
DF-10031-E espresso

D2

Left Drawer Side (2)
DS-0412W-L

D3

Right Drawer Side (2)
DS-0412W-R

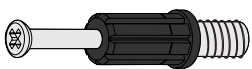
D4

Drawer Back (2)
DK-0414W

D5

Drawer Bottom (2)
DB-0414

Drawer Hardware



34mm Black
Twister Dowel (8)
RM-0500



12mm Zinc Cam
(small) (8)
RM-0715



#8 - 1 1/2" Screws (8)
RM-0504



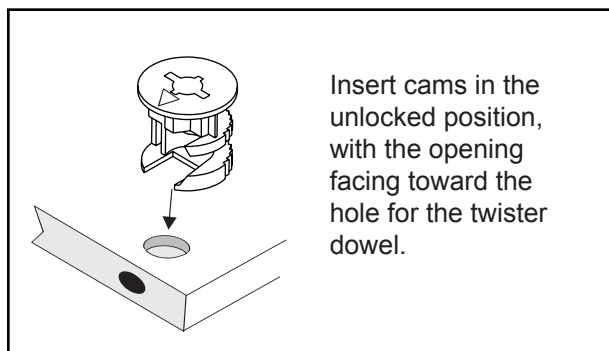
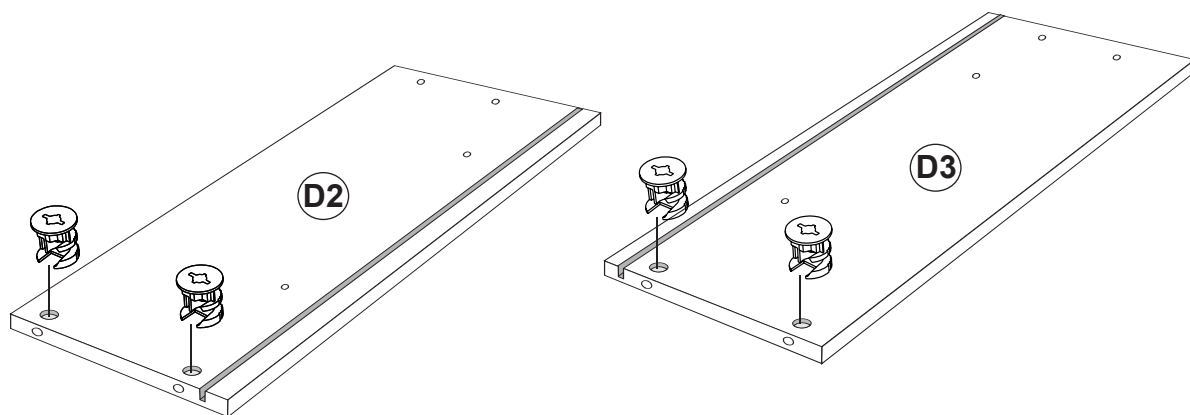
Euro Screw (16)
RM-0074



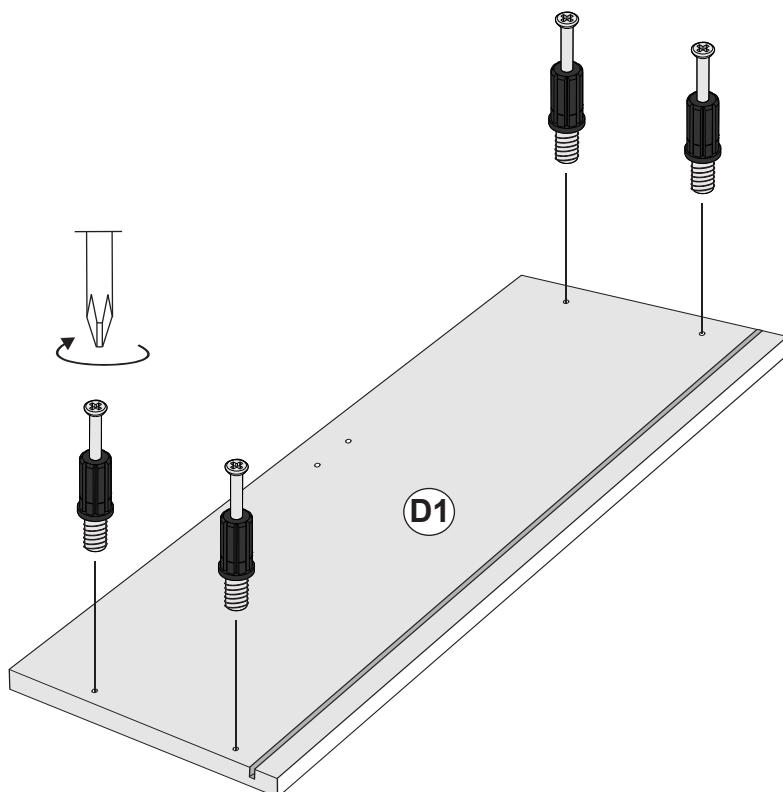
3/4" Nail (8)
RM-0022

Step 6 Estimated Time: 5 Minutes per Drawer

6a Insert **small cams** into drawer sides

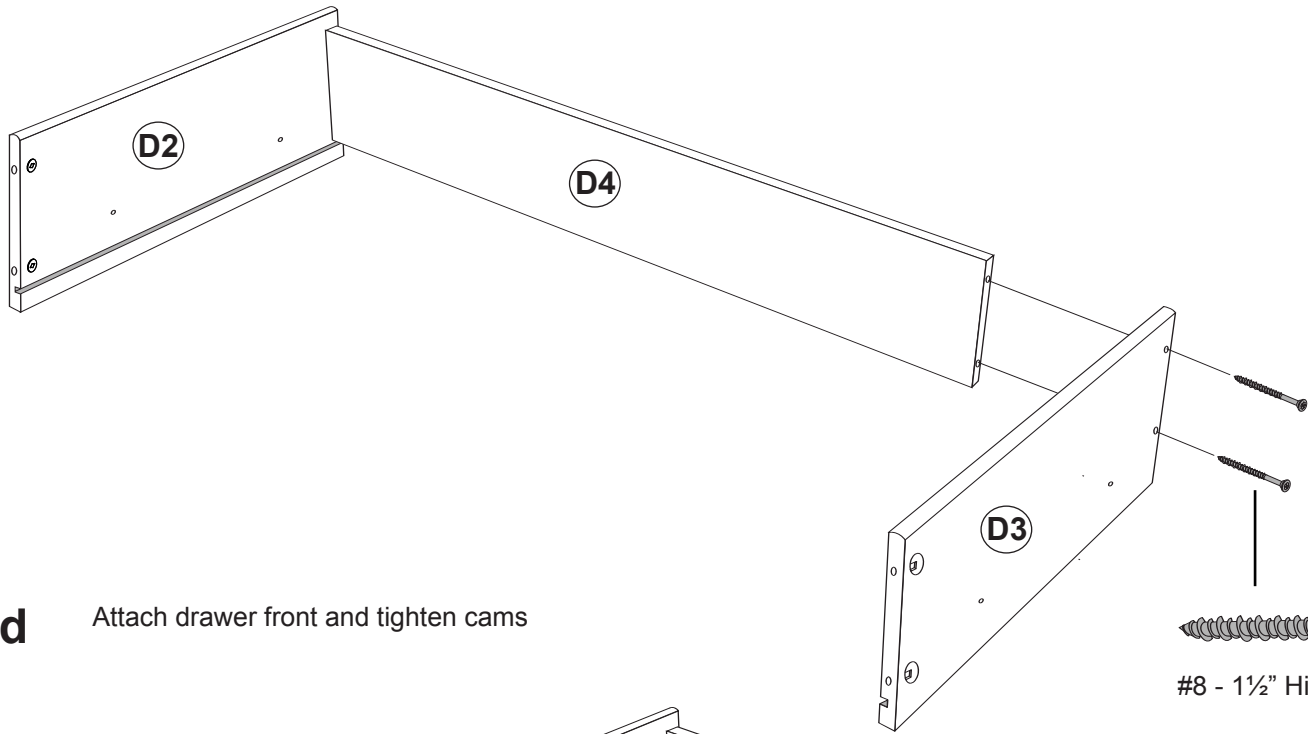


6b Screw black twister dowels into drawer fronts



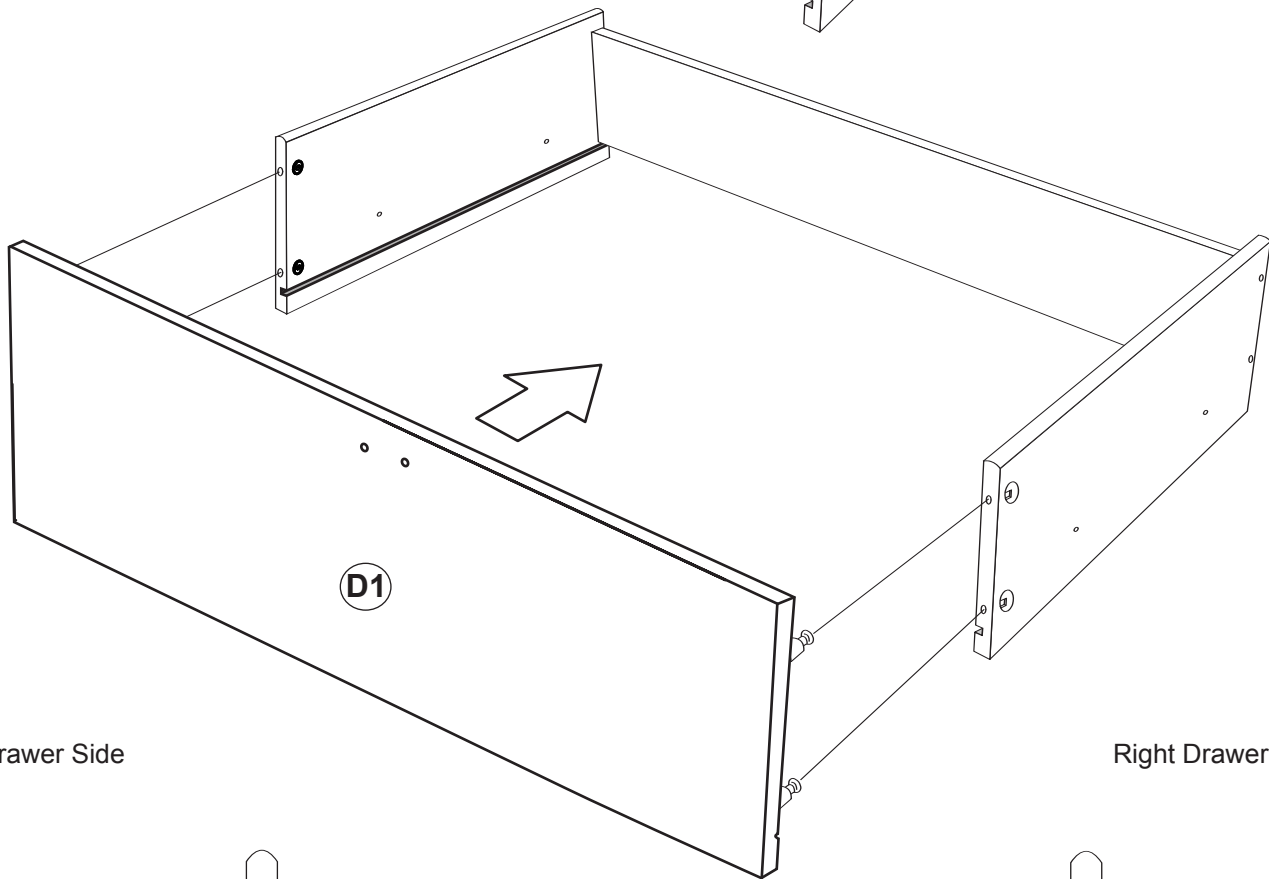
6c

Attach drawer sides to drawer back with 1½" Hi Lo screws



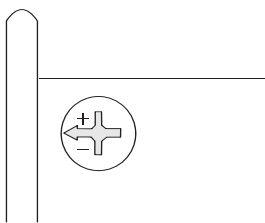
6d

Attach drawer front and tighten cams

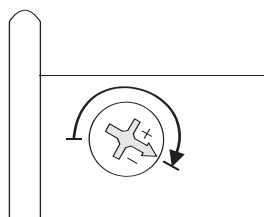


Left Drawer Side

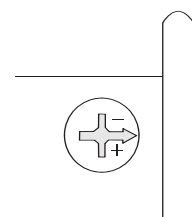
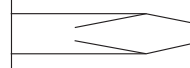
Right Drawer Side



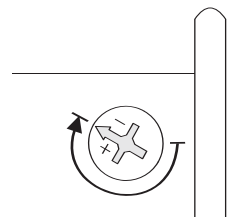
Unlocked



Locked
Turn 210°

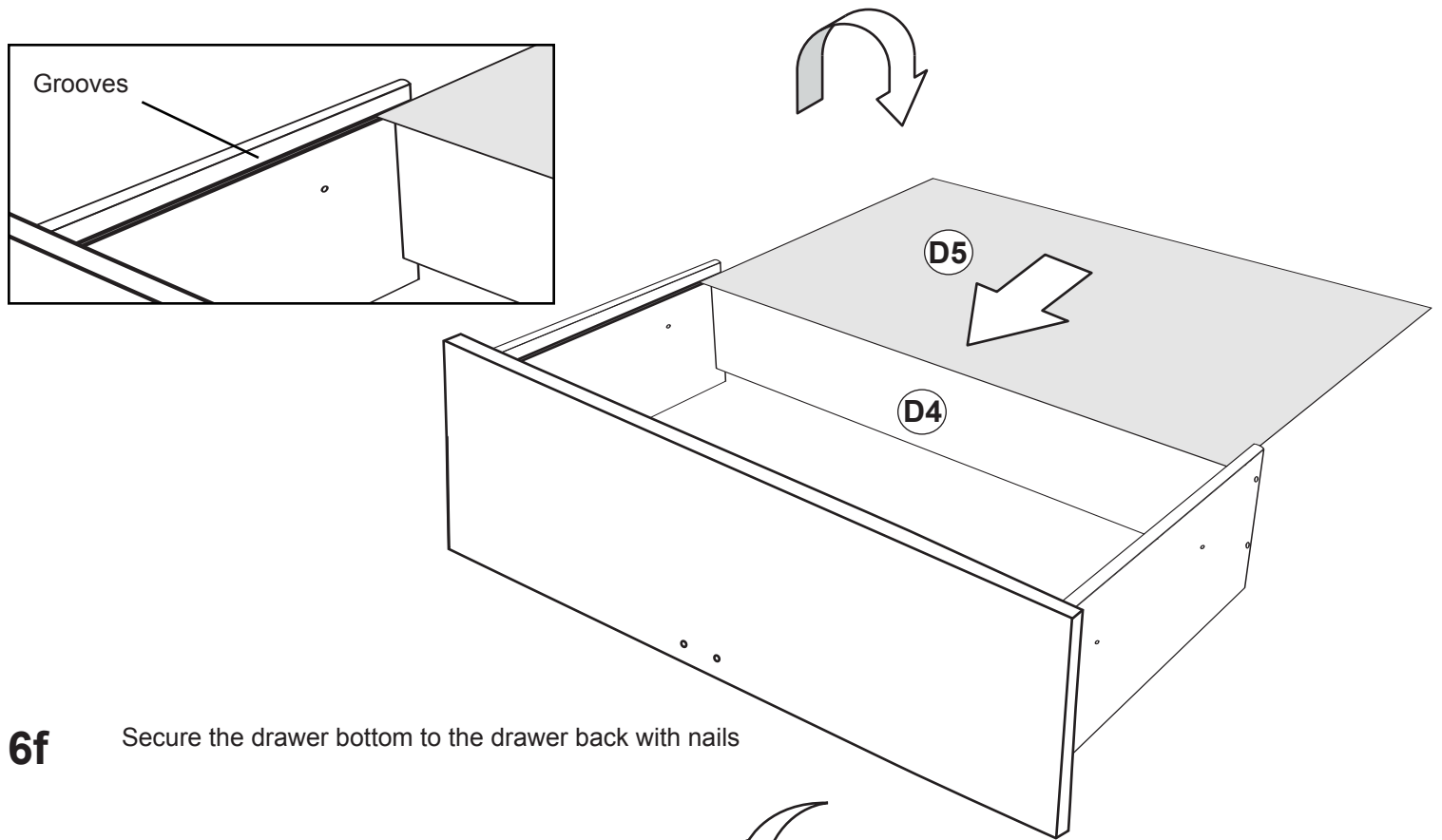


Unlocked

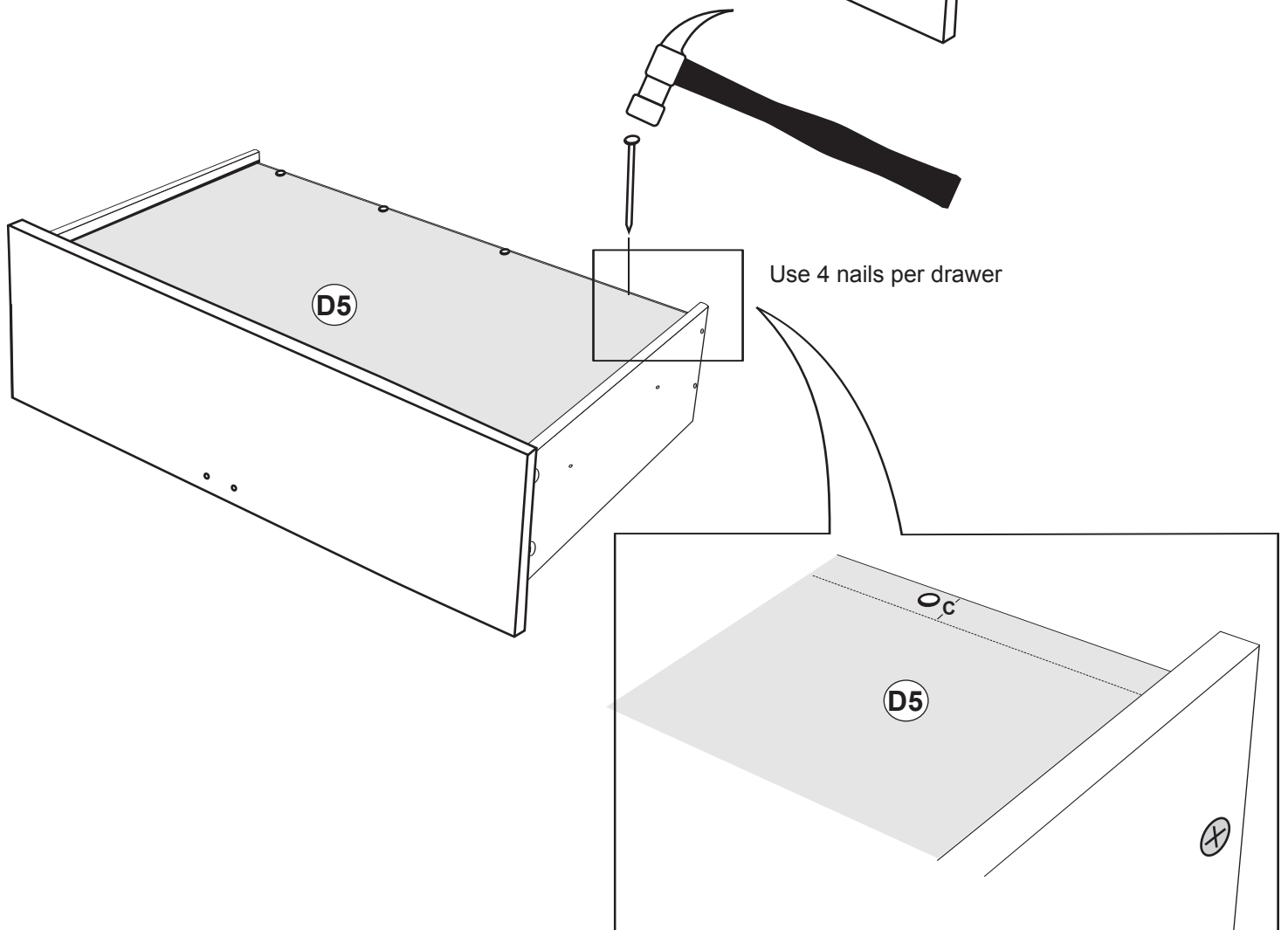


Locked
Turn 210°

6e Turn drawer upside down and slide drawer bottom into grooves

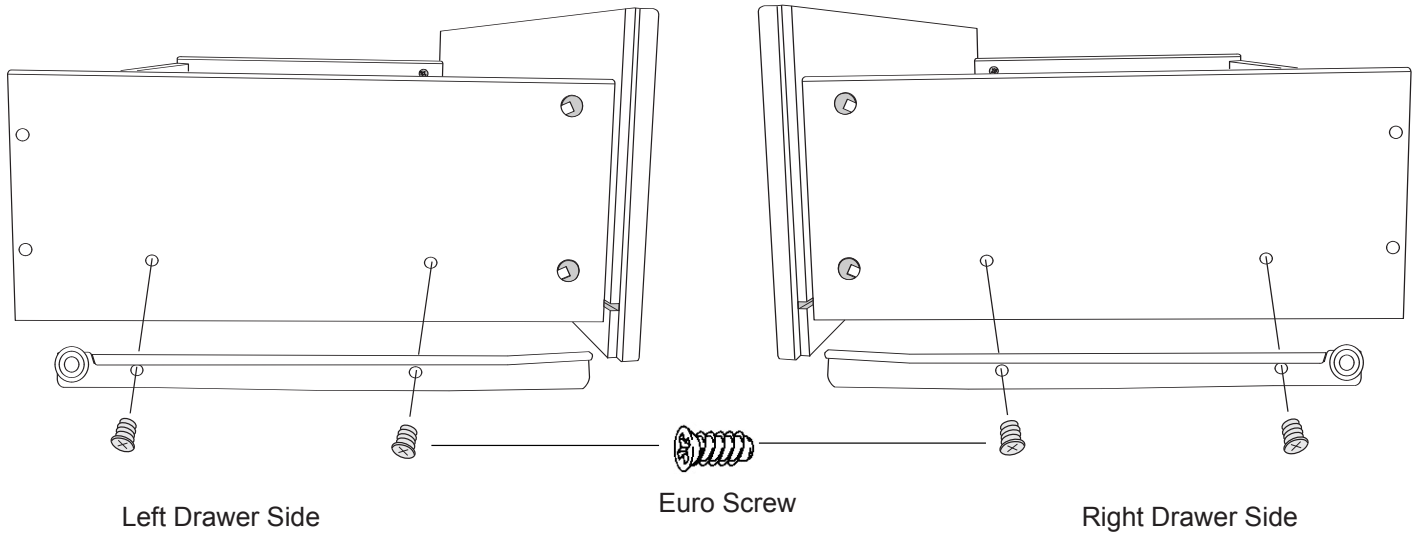


6f Secure the drawer bottom to the drawer back with nails



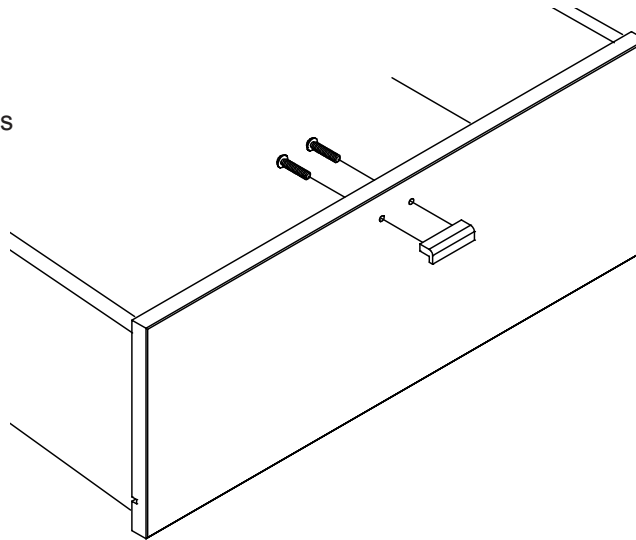
6g

Attach drawer slides to left and right drawer sides using Euro screws



6h

Attach pull with supplied screws



Step 7 Estimated Time: 30 Minutes

Hanging the Headboard: 2 people required

Determining the Height to Mount your Headboard

If you have a Prepac Platform Storage Bed:

The Bottom of the Wall Stabilizer should be a MINIMUM of 36" from the floor

All other Bed types:

- Determine the desired height for the TOP of the nightstand
- Add 11½ inches to determine the height for the BOTTOM of the Wall Stabilizer

Wall Space Needed		
	Wall Stabilizer	With Headboard & Nightstands Mounted
Queen Headboard	100.5 inches	108 inches
King Headboard	116.5 inches	124 inches

Securing your Headboard to the Wall

Make sure you are able to attach EACH Wall Stabilizer to 3 wood wall studs when hanging your headboard.

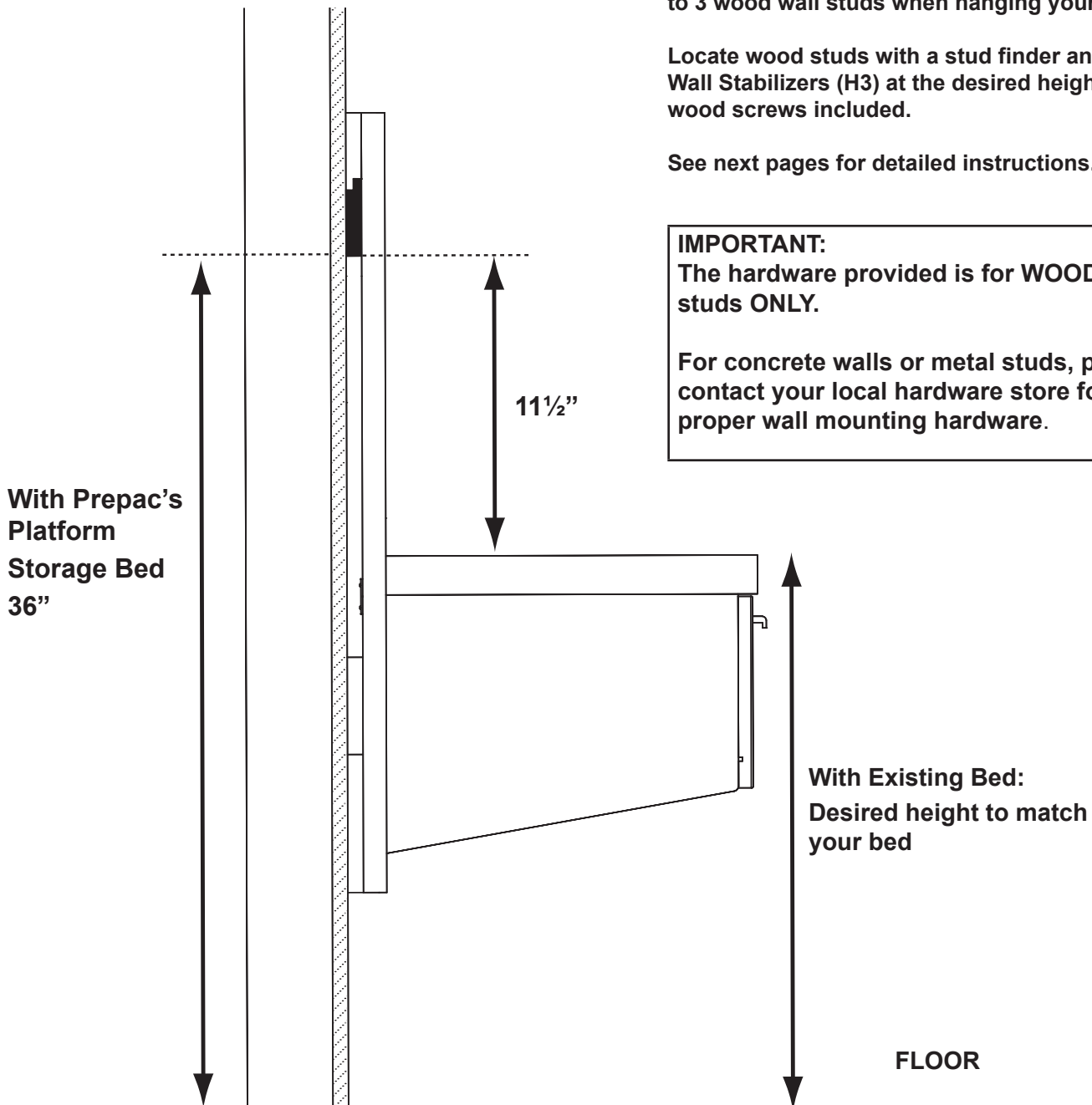
Locate wood studs with a stud finder and attach the Wall Stabilizers (H3) at the desired height using the wood screws included.

See next pages for detailed instructions.

IMPORTANT:

The hardware provided is for WOOD wall studs ONLY.

For concrete walls or metal studs, please contact your local hardware store for the proper wall mounting hardware.

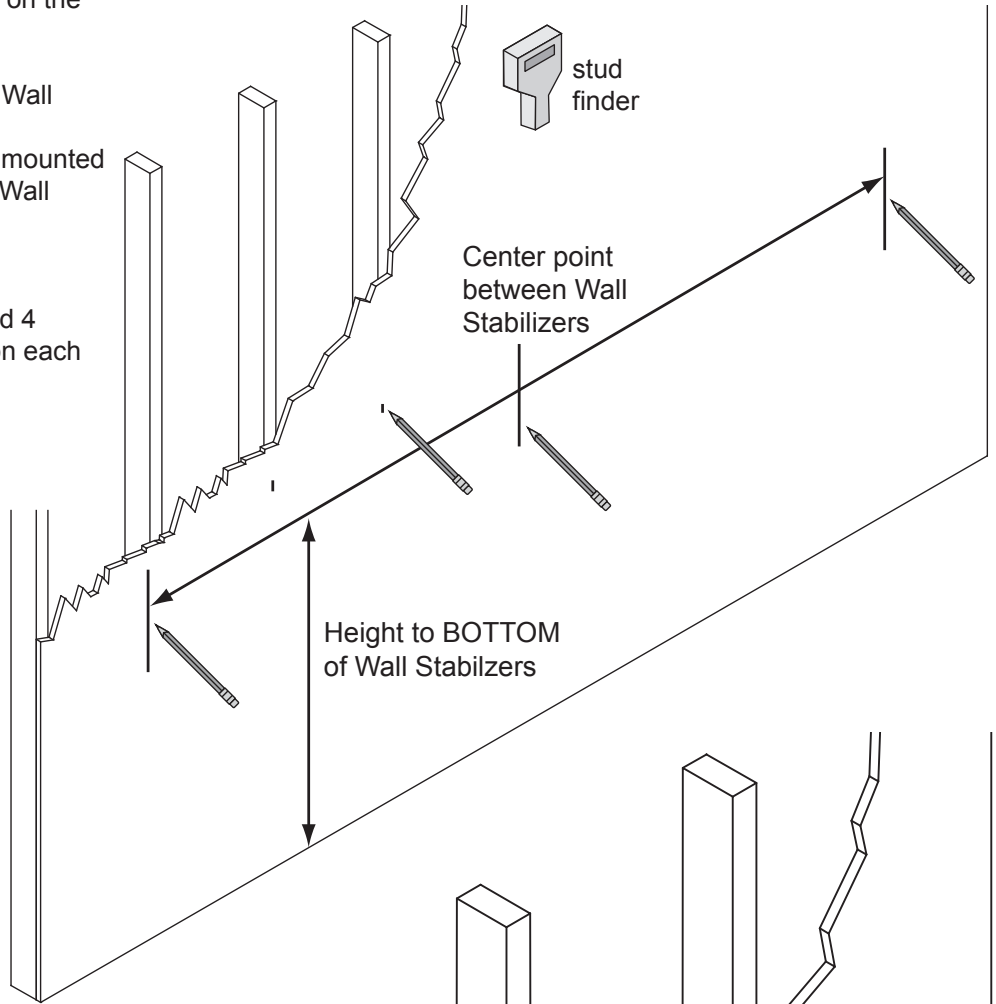


7a

With a pencil, mark the following on the wall:

- a) Height of the BOTTOM of the Wall Stabilizers
- b) Width of both Wall Stabilizers mounted
- c) The center point between the Wall Stabilizers
- d) location of wood studs

The finished assembly will extend 4 inches past the Wall Stabilizers on each side

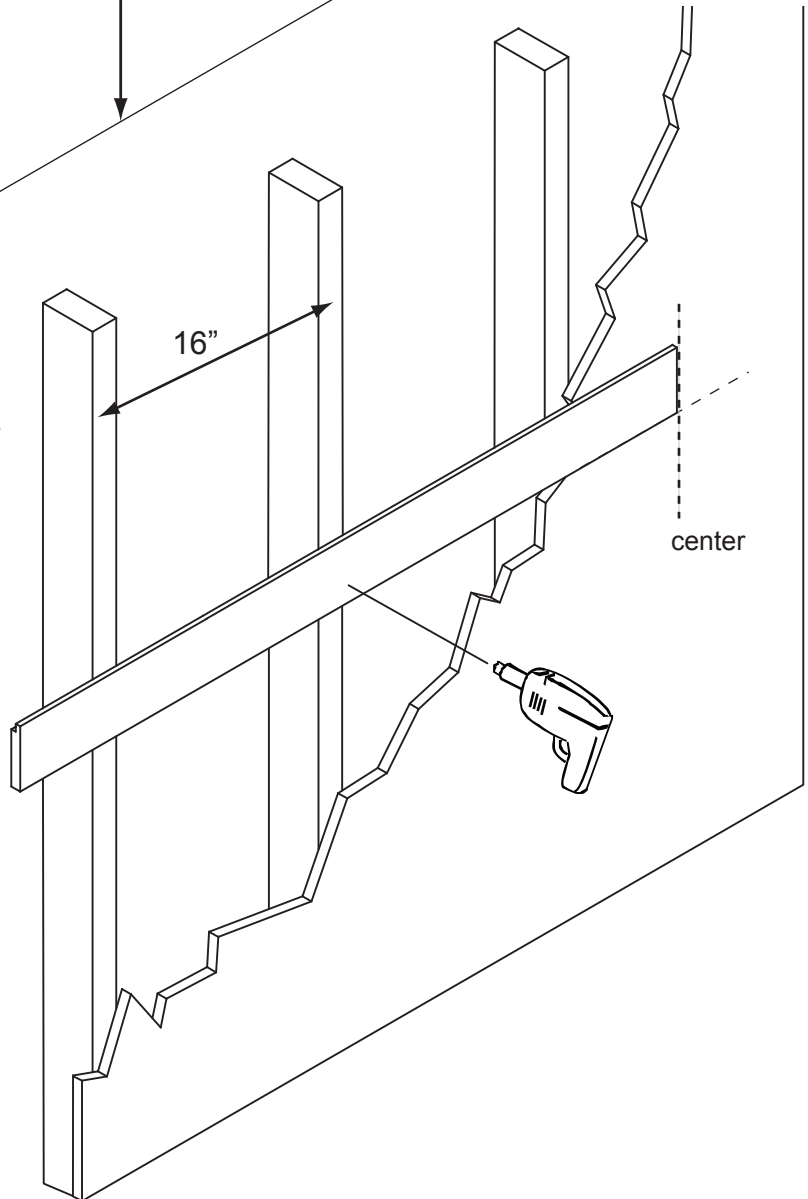


7b

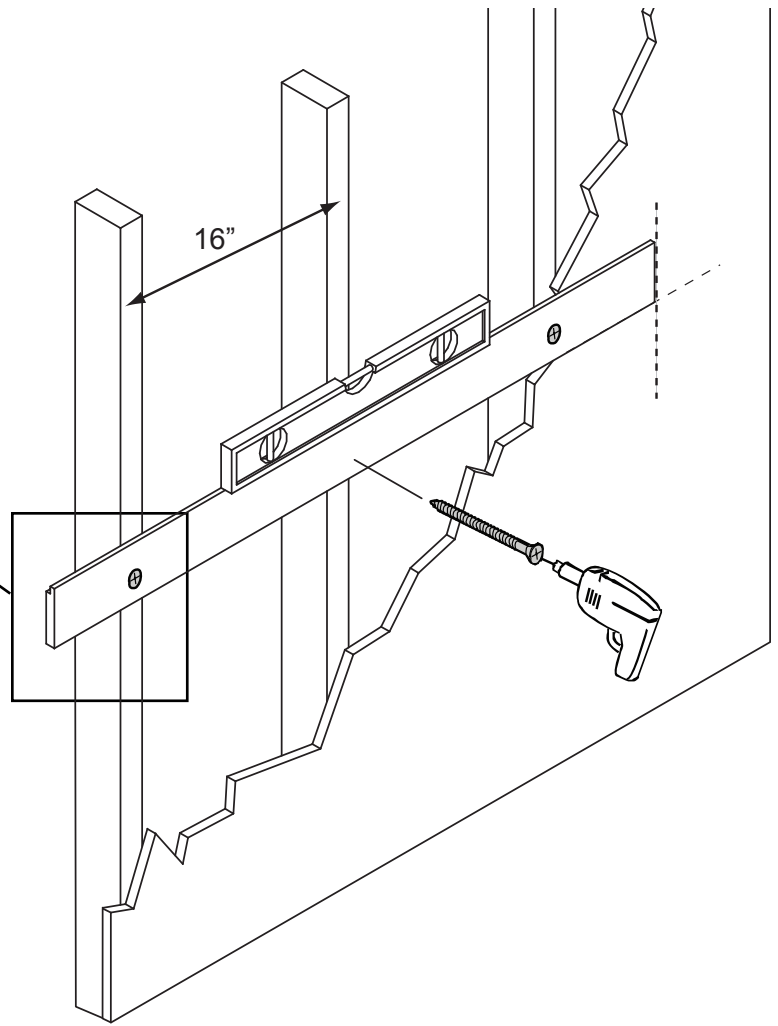
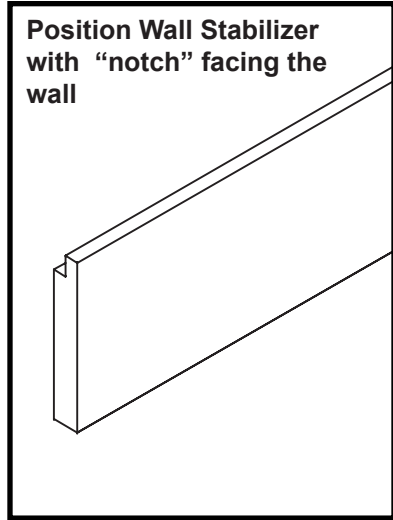
Line up and position one of the Wall Stabilizers to the left of the center line with the Bottom edge along the horizontal line.

Locate wood studs and pre-drill through the Wall Stabilizer and into the wood stud.

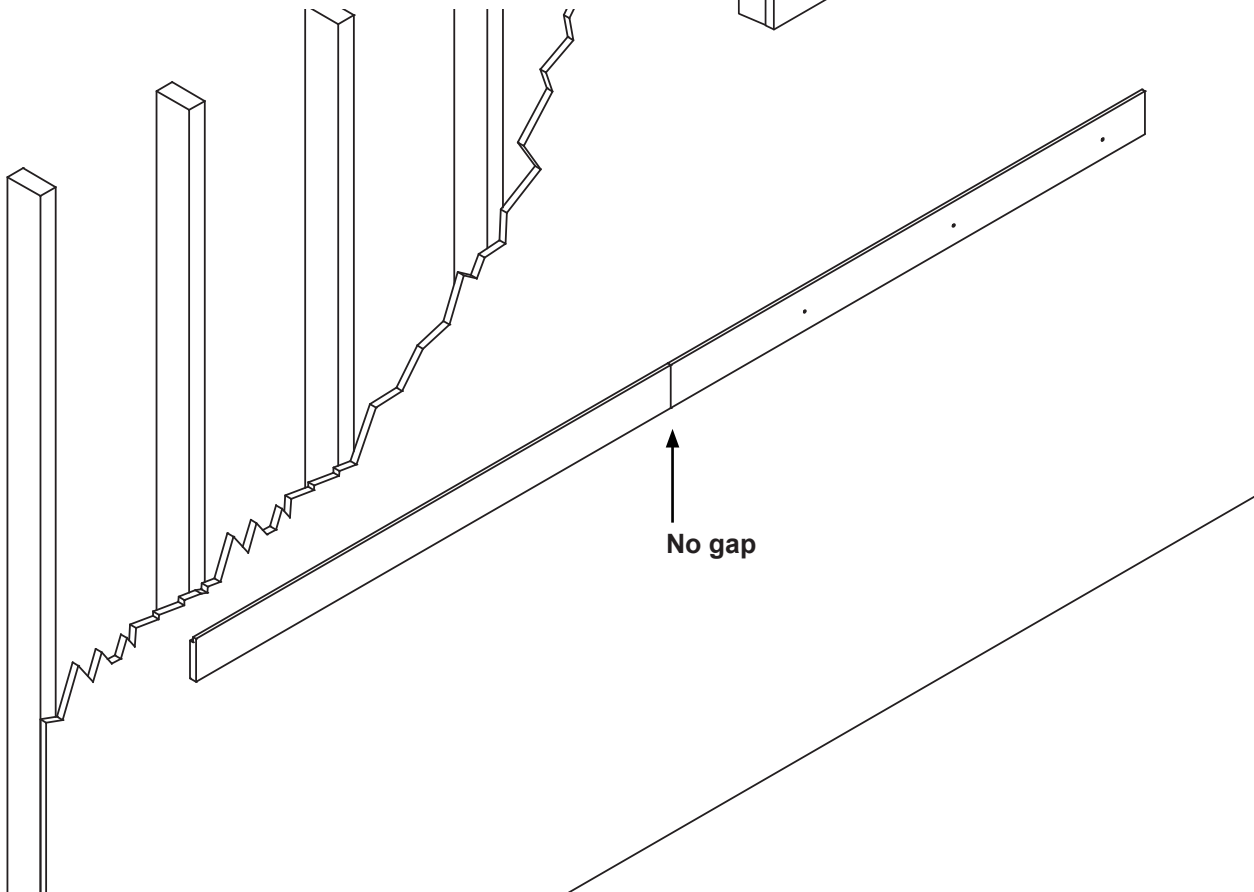
Use a **1/8th inch** drill bit and pre-drill holes **3½ inches** deep.



7c Line up and position one of the Wall Stabilizers to the left of the center line with the Bottom edge along the horizontal line and attach with the wood screws provided.



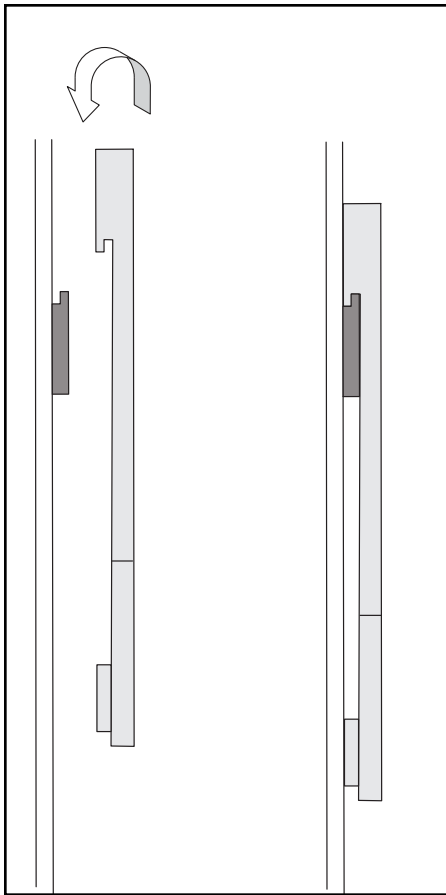
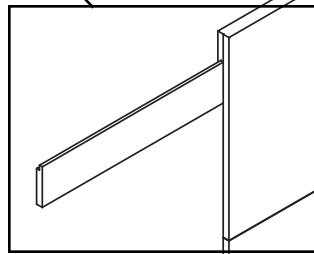
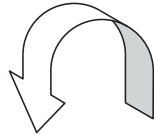
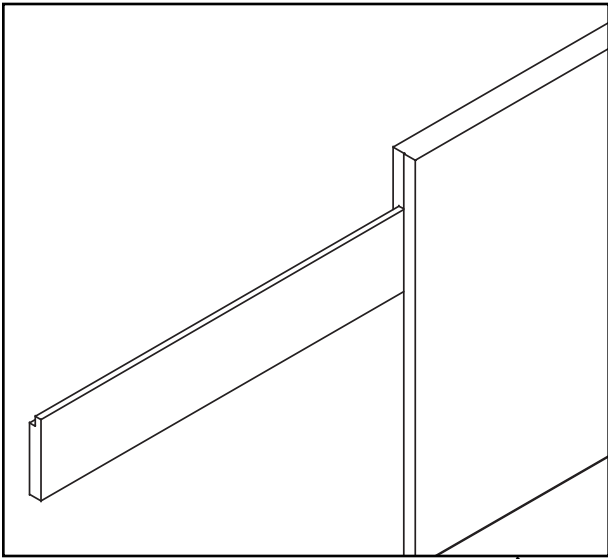
7d Repeat Steps 8b & 8c to attach the second Wall Stabilizer. Make sure there is no gap between the stabilizers



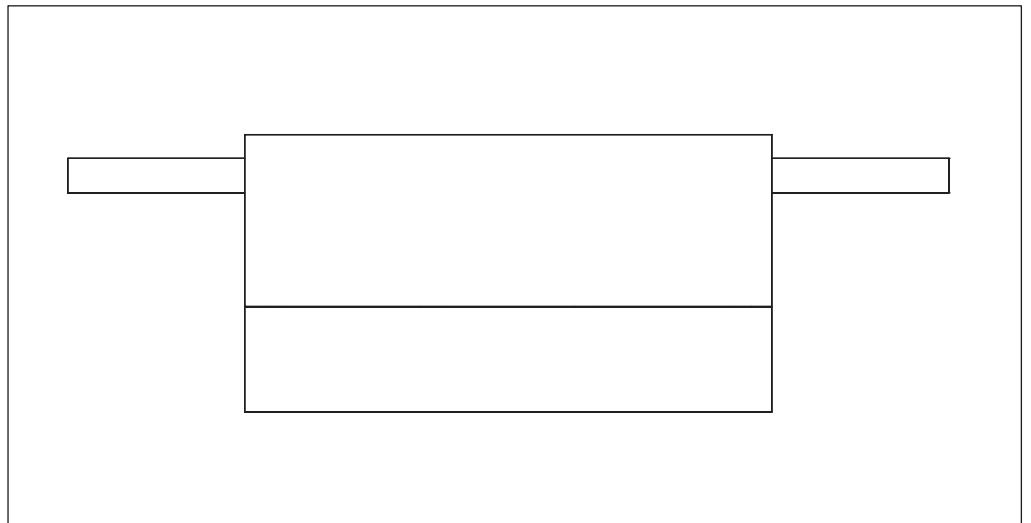
7e

Mounting the Headboard

Carefully lower the Headboard onto the Wall Stabilizers until it fits tightly.



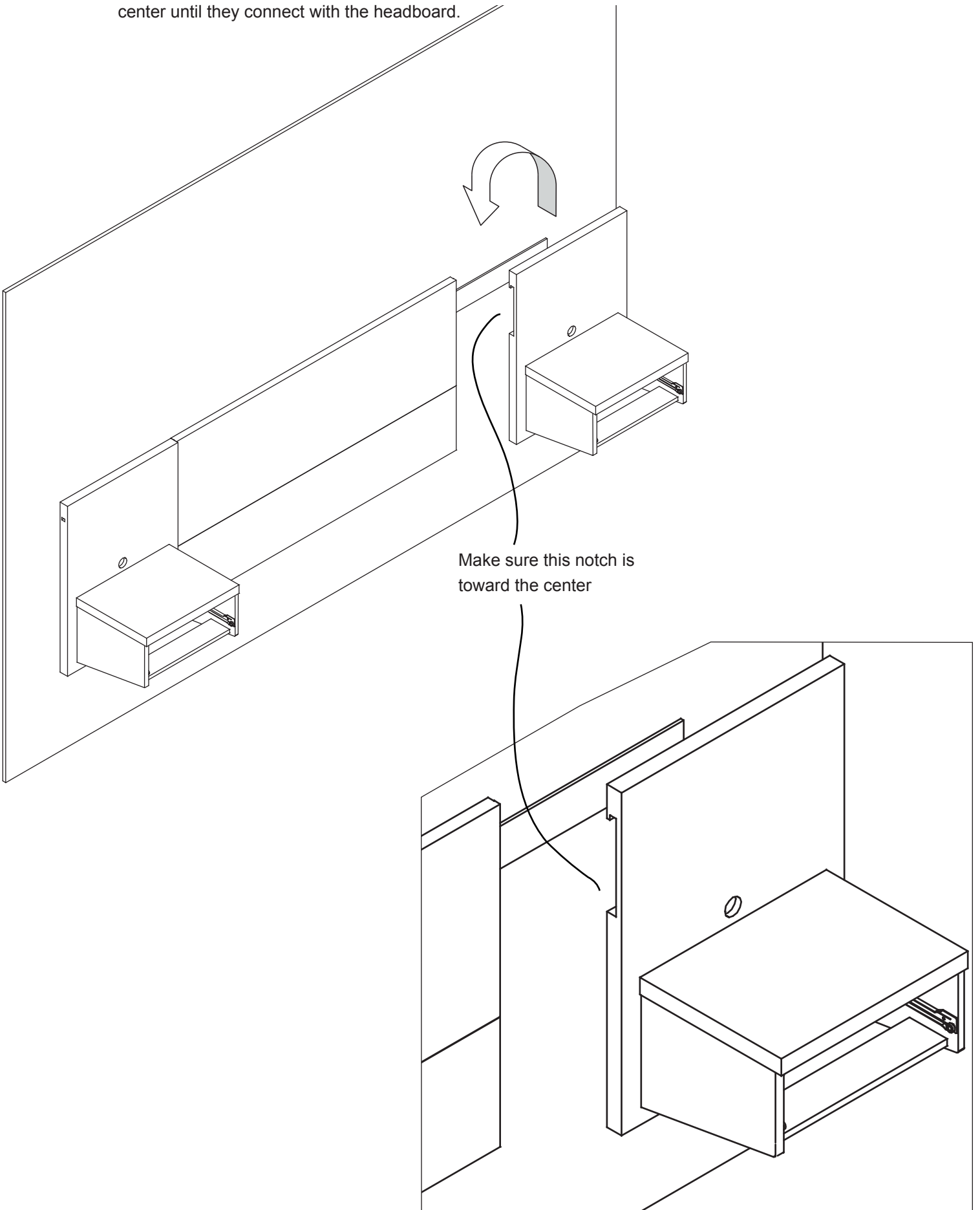
Make sure the headboard is centered on the two Wall Stabilizers.



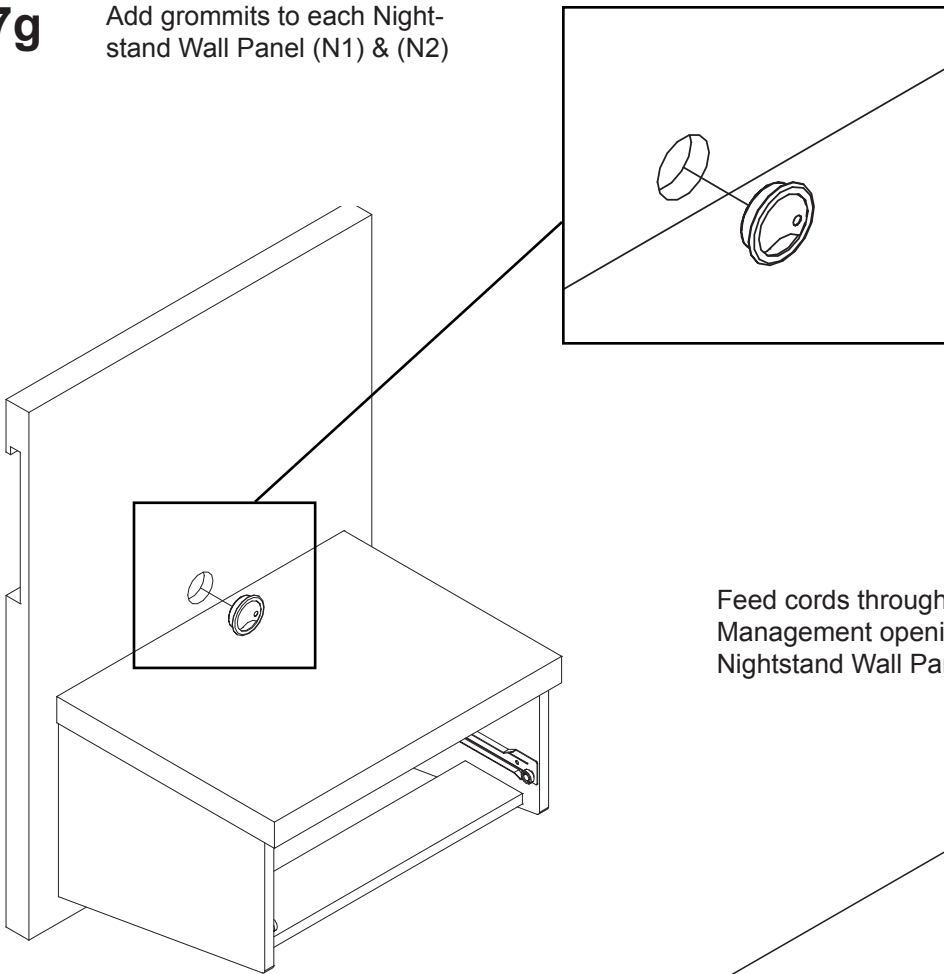
7f

Mounting the Nightstands

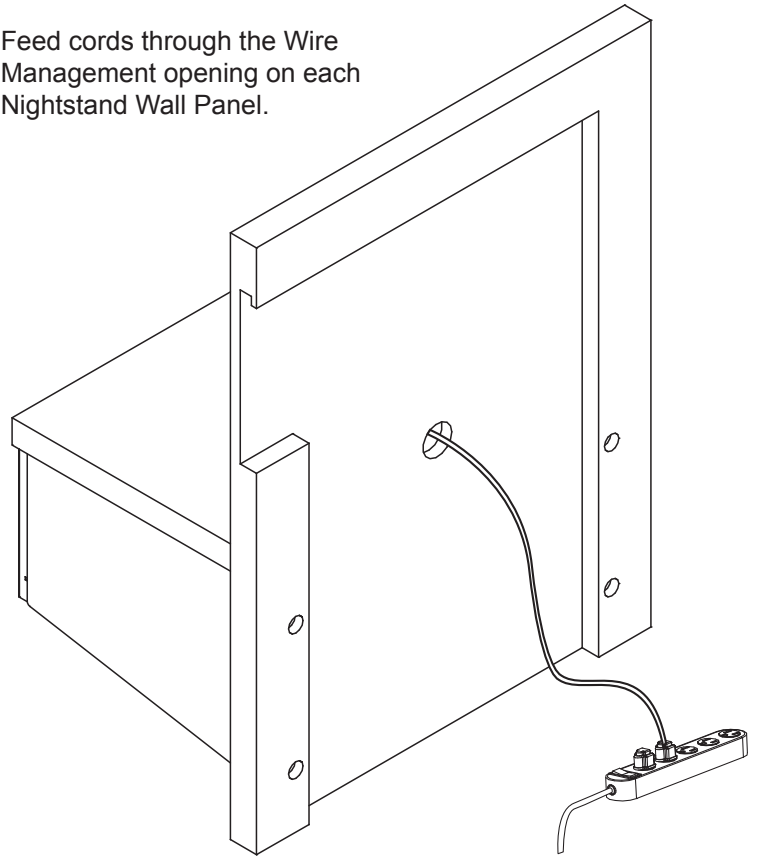
Carefully lower the Left & Right nightstands onto the Wall Stabilizer and slide towards the center until they connect with the headboard.



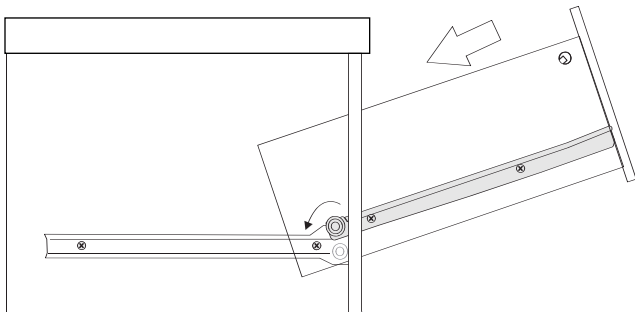
7g Add grommets to each Nightstand Wall Panel (N1) & (N2)



Feed cords through the Wire Management opening on each Nightstand Wall Panel.



7h Insert drawers



Give Us Your Feedback



CALL US
1-877-PREPAC1 (1-877-773-7221)
Mon - Fri 7am - 4pm PST
10am - 7pm EST

Email Us: assembly@prepacmfg.com

Thanks!

